



**ardeti**  
LIGHTING INNOVATION

## ***DECORATIVE LIGHTING***

Electronic and Conventional

**CATALOGUE 2023**

# TABLE OF CONTENTS

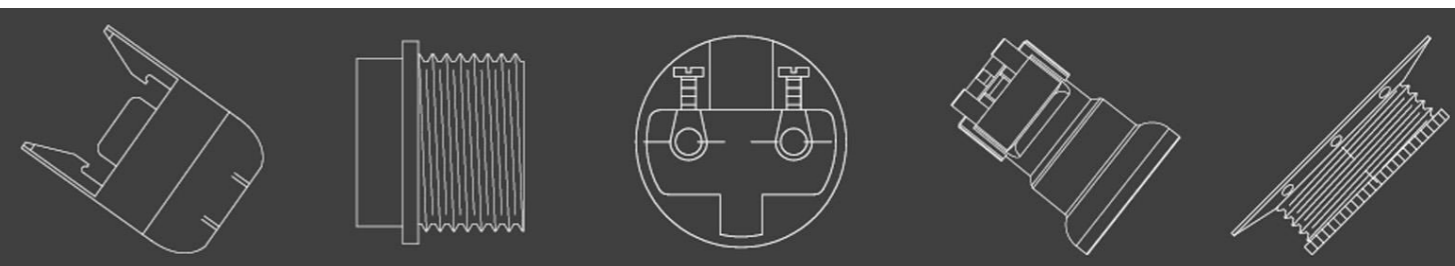
<b>TABLE OF CONTENTS</b>	<b>2</b>
<i>TABLE OF CONTENTS</i>	2
<b>E14, E12 LAMPHOLDERS</b>	<b>4</b>
E14 three-piece thermoplastic matt lampholder	5
E14 three-piece thermoplastic shiny lampholder	8
E14 one-piece thermoplastic lampholder	12
E14 one-piece thermoplastic candle lampholder and covers diameter 24 mm	20
E14 three-piece phenolic thermosetting resin lampholder	24
E14 three-piece metal lampholder	27
E12 three-piece thermoplastic lampholder	30
E12 one-piece thermoplastic lampholder	33
Accessories E14, E12	36
<b>E27, E26 LAMPHOLDERS</b>	<b>39</b>
E27 three-piece thermoplastic matt lampholder	40
E27 three-piece thermoplastic shiny lampholder	44
E27 one-piece thermoplastic lampholder	48
E27 three-piece thermoplastic lampholder with switch	56
E27 three-piece phenolic thermosetting resin lampholder	59
E27 phenolic thermosetting resin lampholder with toggle switch	62
E27 three-piece metal lampholder	64
E27 porcelain lampholder	67
E26 three-piece thermoplastic lampholder	68
E26 one-piece thermoplastic lampholder	70
Accessories E27, E26	73
<b>SPOT LIGHT</b>	<b>76</b>
E27 and GZ10 Spot light	77
S14d Spot light	79
<b>SPECIAL LAMPHOLDERS</b>	<b>80</b>
Low voltage lampholders	81
Mains voltage lampholders	82
Fluorescent lampholders	87
<b>SUSPENSION AND ACCESSORIES</b>	<b>88</b>
Suspension and accessories	89
<b>REWIREABLE SWITCHES AND PLUGS</b>	<b>93</b>
Rewireable switches and plugs	94
<b>CABLES</b>	<b>102</b>
Cables	103

# TABLE OF CONTENTS

<b>CORD-SETS</b>	<b>105</b>
Cord-sets	106
<b>ACCESSORIES</b>	<b>112</b>
Accessories	113
<b>DIMMERS</b>	<b>120</b>
Mains voltage dimmer	121
Low voltage dimmer	124
<b>DRIVERS / POWER SUPPLY</b>	<b>126</b>
Power supply	127
Plug power supply	130
<b>CERTIFICATIONS AND APPROVALS</b>	<b>132</b>
<b>ARDITI IN THE WORLD</b>	<b>133</b>

# E14, E12 LAMPHOLDERS

<b>E14 three-piece thermoplastic matt lampholder</b>	<b>5</b>
<b>E14 three-piece thermoplastic shiny lampholder</b>	<b>8</b>
<b>E14 one-piece thermoplastic lampholder</b>	<b>12</b>
<b>E14 one-piece thermoplastic candle lampholder and covers diameter 24 mm</b>	<b>20</b>
<b>E14 three-piece phenolic thermosetting resin lampholder</b>	<b>24</b>
<b>E14 three-piece metal lampholder</b>	<b>27</b>
<b>E12 three-piece thermoplastic lampholder</b>	<b>30</b>
<b>E12 one-piece thermoplastic lampholder</b>	<b>33</b>
<b>Accessories E14, E12</b>	<b>36</b>



# E14, E12 LAMPHOLDERS

## E14 THREE-PIECE THERMOPLASTIC MATT LAMPHOLDER

Rated current: 2A  
 Rated voltage: 250V  
 Rated temperature: T180°C  
 Material: thermoplastic  
 Other colors available on demand

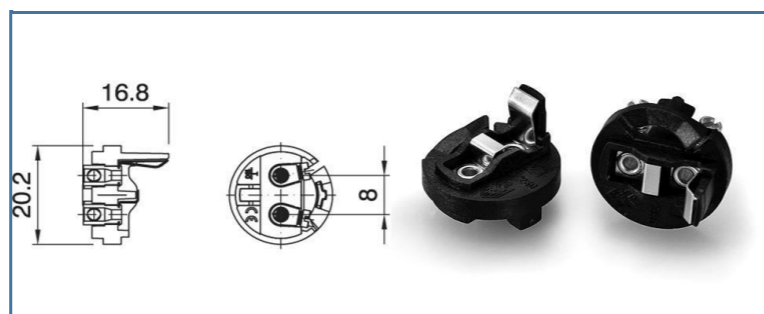
Approval: 



### THERMOPLASTIC INSERT FOR THREE-PIECE LAMPHOLDER WITH LOCKING DEVICE

Marking temperature : 180°C  
 Terminals : screw type  
 Pieces per unit : 1000  
**cod. 040656**

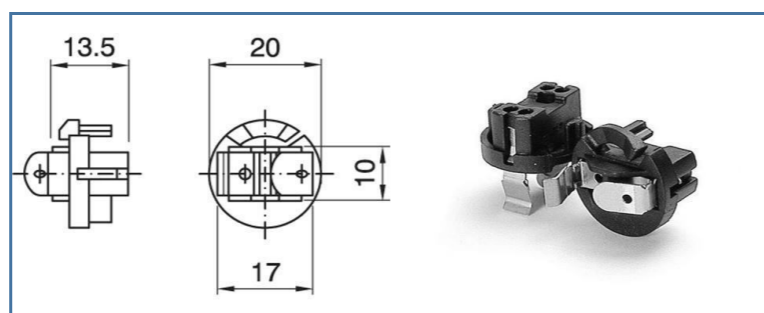
INSERT E14 T180 TPMV



### THERMOPLASTIC INSERT FOR THREE-PIECE LAMPHOLDER WITH LOCKING DEVICE

Marking temperature : 180°C  
 Terminals : spring type  
 Pieces per unit : 1000  
**cod. 040655**

INSERT E14 T180 TPMA

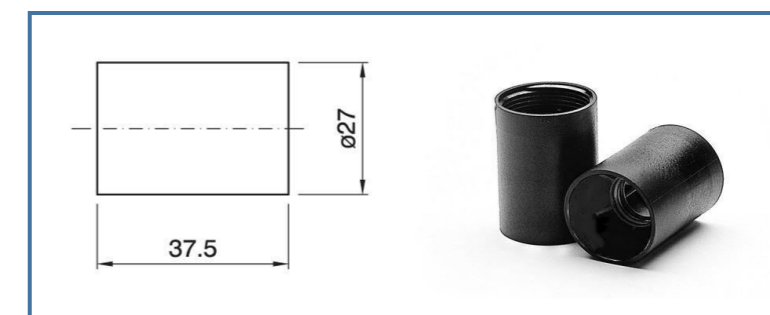


# E14, E12 LAMPHOLDERS

## PLAIN OUTER SHELL FOR THREE-PIECE LAMPHOLDER

Pieces per unit : 1000  
**cod. 019046 black**  
**cod. 019045 white**  
**cod. 019867 gold**

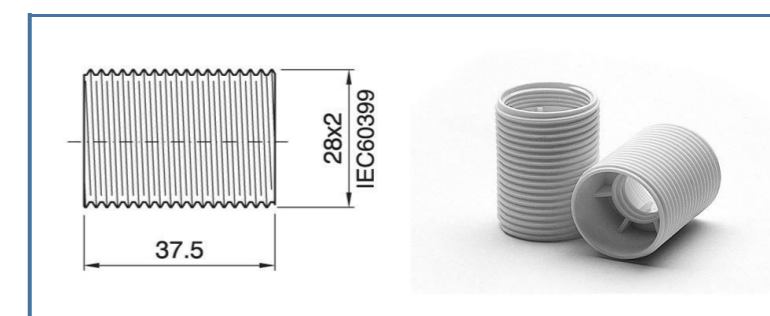
OUTER-SHELL E14 500 TP BLACK



## THREADED OUTER SHELL FOR THREE-PIECE LAMPHOLDER

Pieces per unit : 1000  
**cod. 019050 black**  
**cod. 019047 white**  
**cod. 019868 gold**

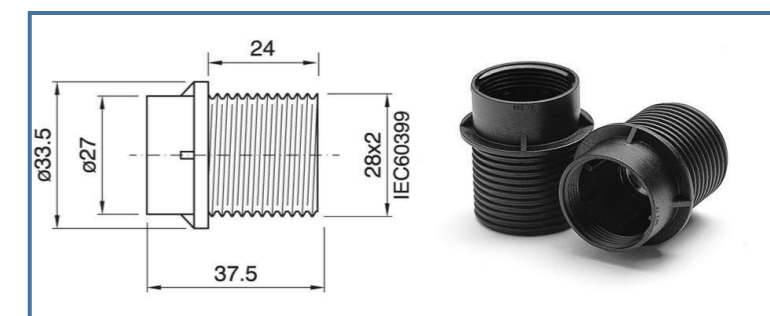
OUTER SHELL E14 ART.600 TP BLACK



## PARTY THREADED OUTER SHELL FOR THREE-PIECE LAMPHOLDER

Pieces per unit : 1000  
**cod. 019052 black**  
**cod. 019051 white**  
**cod. 019869 gold**

OUTER SHELL E14 ART.602 TP BLACK



## E14, E12 LAMPHOLDERS

## DOME FOR THREE-PIECE LAMPHOLDER

Fixing/connection : with metal nipple (M10x1) and stem locking screw

Pieces per unit : 1000

**cod. 019663 black**

**cod. 019662 white**

**cod. 019664 gold**



DOME E14 NIP TP BLACK

## DOME FOR THREE-PIECE LAMPHOLDER

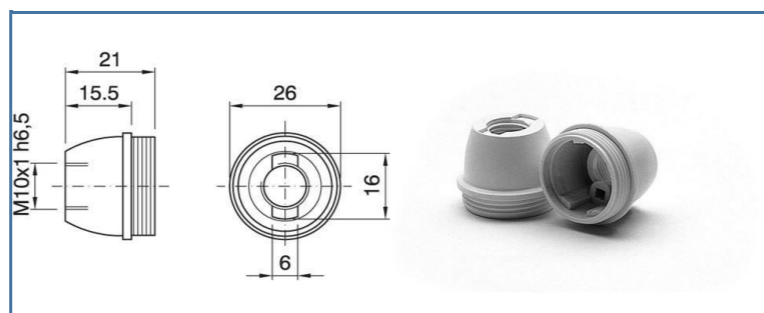
Fixing/connection : with threaded entry (M10x1) with retainer

Pieces per unit : 1000

**cod. 017304 black**

**cod. 017303 white**

**cod. 017305 gold**



DOME E14 ASF TP BL

## DOME FOR THREE-PIECE LAMPHOLDER

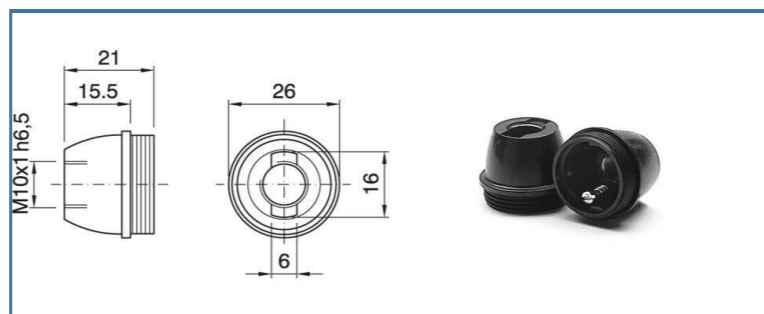
Fixing/connection : threaded entry (M10x1) with retainer and stem locking screw

Pieces per unit : 1000

**cod. 028030 black**

**cod. 028029 white**

**cod. 028031 gold**



DOME E14 ASFV TP BLACK P.A.

## E14, E12 LAMPHOLDERS

## E14 THREE-PIECE THERMOPLASTIC SHINY LAMPHOLDER

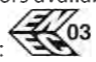
Rated current: 2A

Rated voltage: 250V

Rated temperature: T180°C

Material: thermoplastic

Other colors available on demand

Approval: 



## THERMOPLASTIC INSERT FOR THREE-PIECE LAMPHOLDER WITH LOCKING DEVICE

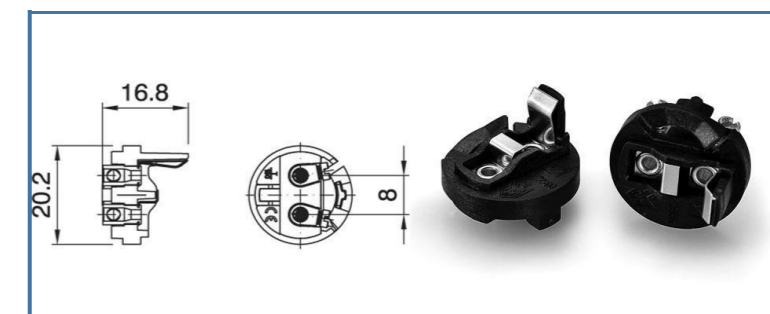
Marking temperature : 180°C

Terminals : screw type

Pieces per unit : 1000

**cod. 040656**

INSERT E14 T180 TPMV



## THERMOPLASTIC INSERT FOR THREE-PIECE LAMPHOLDER WITH LOCKING DEVICE

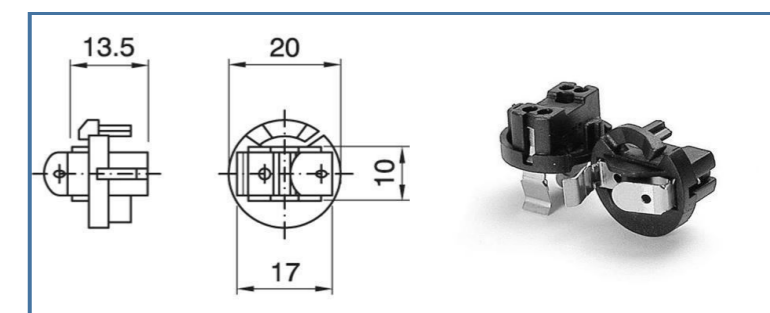
Marking temperature : 180°C

Terminals : spring type

Pieces per unit : 1000

**cod. 040655**

INSERT E14 T180 TPMA

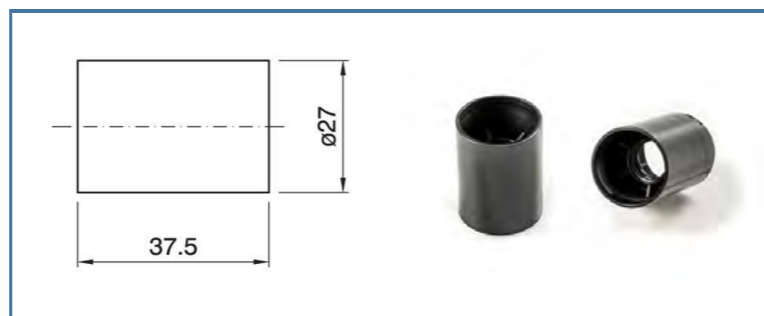


## E14, E12 LAMPHOLDERS

## PLAIN OUTER SHELL FOR THREE-PIECE SHINY LAMPHOLDER

Pieces per unit : 1000  
**cod. 040394 shiny black**  
**cod. 040393 shiny white**  
**cod. 040939 shiny gold**

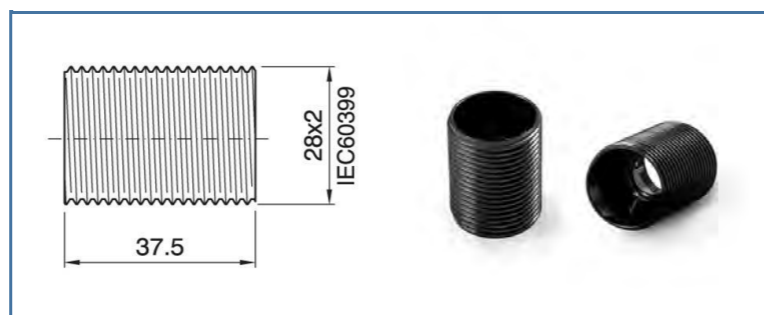
OUTER SHELL E14 ART.500 TPL BLACK



## THREADED OUTER SHELL FOR THREE-PIECE SHINY LAMPHOLDER

Pieces per unit : 1000  
**cod. 040619 shiny black**  
**cod. 040618 shiny white**  
**cod. 041480 shiny gold**

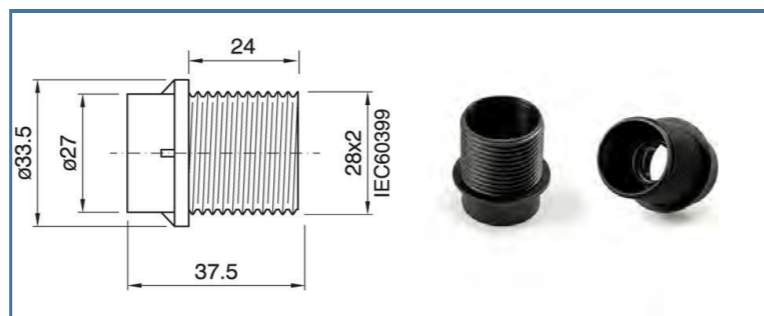
OUTER SHELL E14 ART.600 TPL BLACK



## HALF THREADED OUTER SHELL FOR THREE-PIECE SHINY LAMPHOLDER

Pieces per unit : 1000  
**cod. 040621 shiny black**  
**cod. 040620 shiny white**  
**cod. 041481 shiny gold**

OUTER SHELL E14 ART.602 TPL BL



## E14, E12 LAMPHOLDERS

## DOME FOR THREE-PIECE SHINY LAMPHOLDER

Fixing/connection : with metal nipple (M10x1) and stem locking screw

Pieces per unit : 1000  
**cod. 040400 shiny black**  
**cod. 040399 shiny white**  
**cod. 041836 shiny gold**

DOME E14 NIP TPL BLACK



## DOME FOR THREE-PIECE SHINY LAMPHOLDER

Fixing/connection : with metal nipple (M10x1), stem locking screw and earth terminal

Pieces per unit : 1000  
**cod. 040058 shiny black**  
**cod. 040576 shiny white**  
**cod. 042497 shiny gold**

DOME E14 H21/T/TPL BLACK



## DOME FOR THREE-PIECE SHINY LAMPHOLDER

Fixing/connection : with threaded entry (M10x1) with retainer

Pieces per unit : 1000  
**cod. 040396 shiny black**  
**cod. 040395 shiny white**  
**cod. 040938 shiny gold**

DOME E14 ASF TPL BL



## E14, E12 LAMPHOLDERS

## DOME FOR THREE-PIECE SHINY LAMPHOLDER

Fixing/connection : threaded entry (M10x1) with retainer and stem locking screw

Pieces per unit : 1000

**cod. 040623 shiny black**

**cod. 040622 shiny white**

**cod. 042496 shiny gold**



DOMES E14 ASFV TPL BL P.A.

## E14, E12 LAMPHOLDERS

## E14 ONE-PIECE THERMOPLASTIC LAMPHOLDER


Rated current: 2A

Rated voltage: 250V

Rated temperature: T135°C - 180°C - T210°C

Material: thermoplastic

Other colors available on demand

Approval: 

## ONE-PIECE LAMPHOLDER WITH PLAIN OUTER SHELL

Fixing/connection : through holes for Ø3 mm self-threading screws or with snap-on domes 105 series

Pieces per unit : 1000

**cod. 023978 black T180°C**

**cod. 023977 white T180°C**

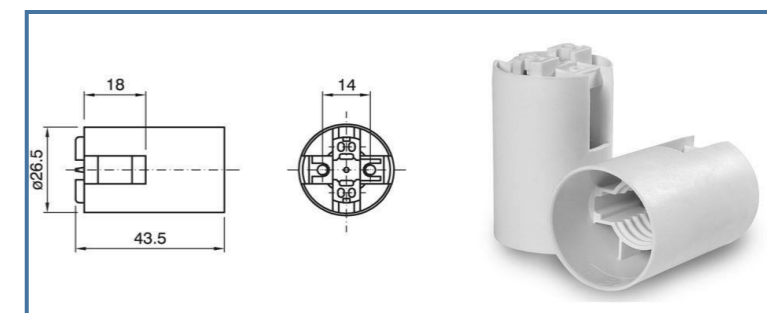
**cod. 023981 black T210°C**

**cod. 023980 white T210°C**

**cod. 023982 gold T210°C**

**cod. 021450 transparent T135°C**

50S/T180/BL/M/LHD/E14



## ONE-PIECE LAMPHOLDER WITH THREADED OUTER SHELL

Fixing/connection : through holes for Ø3 mm self-threading screws or with snap-on domes 105 series

Pieces per unit : 1000

**cod. 023984 black T180°C**

**cod. 023983 white T180°C**

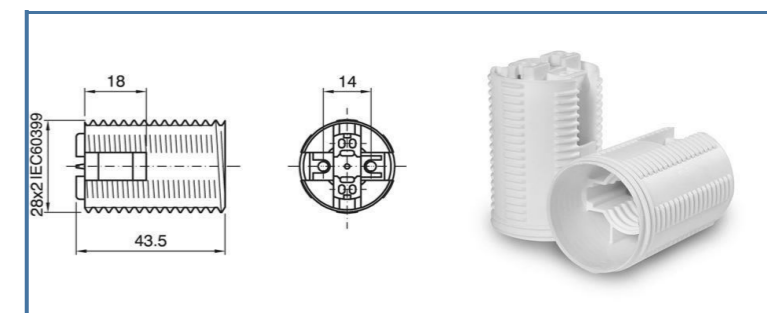
**cod. 023987 black T210°C**

**cod. 023986 white T210°C**

**cod. 023988 gold T210°C**

**cod. 021833 transparent T135°C**

60S/T180/BL/M/LHD/E14



# E14, E12 LAMPHOLDERS

## ONE-PIECE LAMPHOLDER WITH PARTLY THREADED OUTER SHELL

Fixing/connection : through holes for  $\varnothing 3$  mm self-threading screws or with snap-on domes 105 series

Pieces per unit : 1000

**cod. 023990 black T180°C**

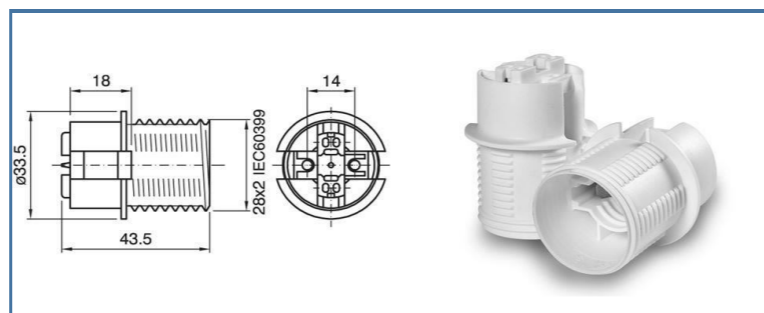
**cod. 023989 white T180°C**

**cod. 024001 black T210°C**

**cod. 024000 white T210°C**

**cod. 024002 gold T210°C**

**cod. 021333 transparent T135°C**



62S/T180/BL/M/LHD/E14

## SHORT THREADED ONE-PIECE LAMPHOLDER

Fixing/connection : through holes for  $\varnothing 3$  mm self-threading screws or with snap-on domes

Pieces per unit : 1000

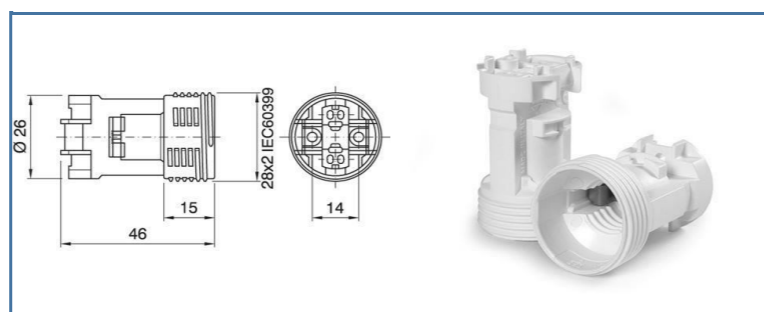
**cod. 023992 black T180°C**

**cod. 025861 natural T180°C**

**cod. 024005 black T210°C**

**cod. 024004 natural T210°C**

**cod. 026581 transparent T135°C**



63A/T180/BL/M/LHD/E14

## ONE-PIECE LAMPHOLDER WITH PLASTIC SPRING BRACKET

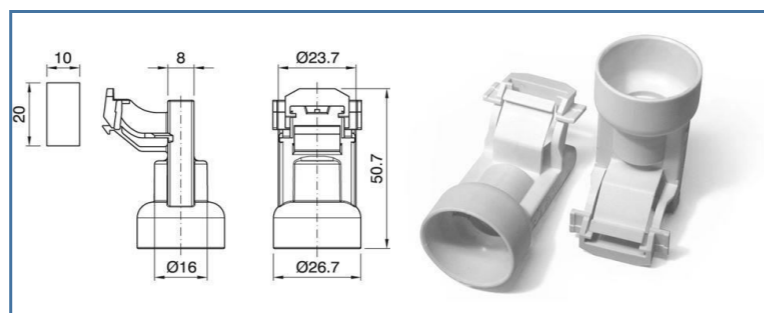
Fixing/connection : snap-in type for 20x10 mm rectangular drilling pattern

Use/Application : thickness lamp bases  $0,6 \div 1,1$  mm. For rigid lamp bases the maximum value is limited to  $0,6 \div 0,9$  mm

Pieces per unit : 1000

**cod. 026334 natural T210°C**

**cod. 026333 natural T180°C**



64/T210/NA/M/LHD/E14

# E14, E12 LAMPHOLDERS

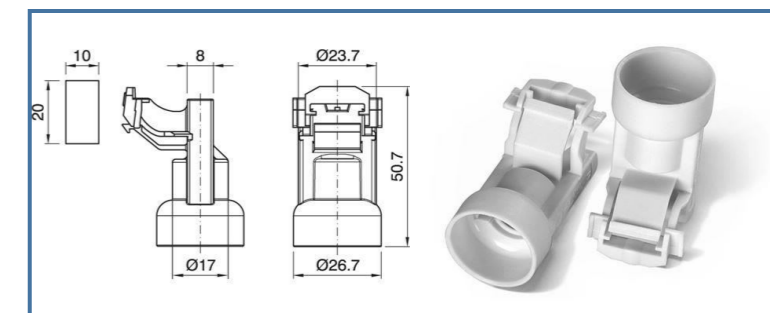
## ONE-PIECE LAMPHOLDER WITH PLASTIC SPRING BRACKET FOR LAMP BASES WITH INCREASED THICKNESS

Fixing/connection : snap on type for 20x10 mm rectangular drilling pattern

Use/Application : thickness lamp bases  $1 \div 1,4$  mm. For rigid lamp bases the maximum value is limited to  $1 \div 1,3$  mm

Pieces per unit : 1000

**cod. 028113 natural T210° increased thickness**



64SP/T210/NA/M/LHD/E14

## DOMES FOR ONE-PIECE LAMPHOLDER

Fixing/connection : with metal nipple (M10x1) and stem locking screw

Pieces per unit : 1000

**cod. 012338 h 15 mm black**

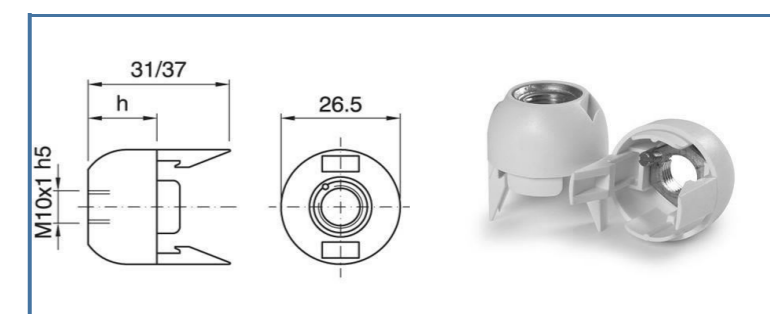
**cod. 012110 h 15 mm white**

**cod. 012445 h 15 mm gold**

**cod. 022510 h 15 mm transparent**

**cod. 026198 h 21 mm white**

**cod. 026199 h 21 mm black**



DOMES E14 ART.105 NIP BL

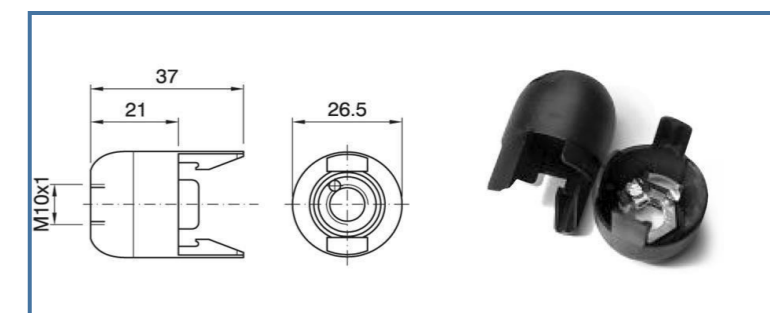
## DOMES FOR ONE-PIECE LAMPHOLDER

Fixing/connection : with metal nipple (M10x1), stem locking screw and earth terminal

Pieces per unit : 1000

**cod. 026258 black**

**cod. 026257 white**



DOMES E14 ART105/H21/T BLACK



# E14, E12 LAMPHOLDERS

## ■ DOME FOR ONE-PIECE LAMPHOLDER

Fixing/connection : with threaded entry (M10x1) with retainer

Pieces per unit : 1000

**cod. 030931 black**

**cod. 026093 white**

**cod. 011883 gold**

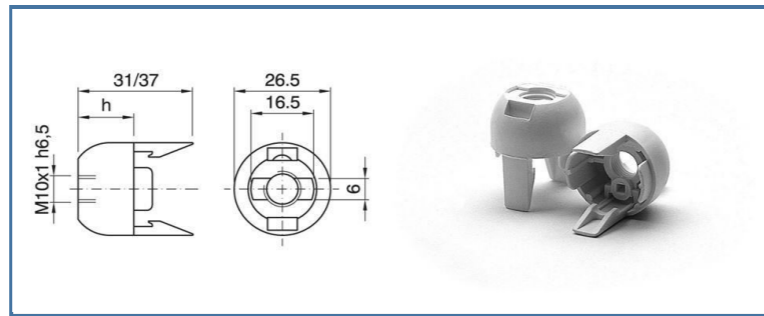
**cod. 026448 transparent**

**cod. 021074 black - SL**

**cod. 021073 white - SL**

**cod. 025546 h 21 mm black - SL**

**cod. 025545 h 21 mm white - SL**



DOME E14 ART.105 ASF BL

## ■ DOME FOR ONE-PIECE LAMPHOLDER

Fixing/connection : with threaded entry (M10x1) with retainer, suitable for side exit of cable

Pieces per unit : 1000

**cod. 025546 h 21 mm black - SL**

**cod. 030931 black**

**cod. 026093 white**

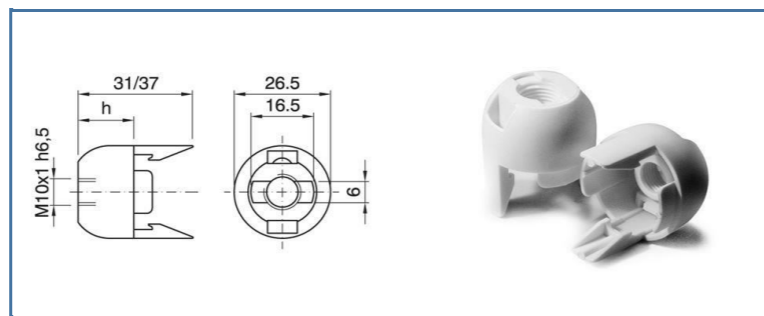
**cod. 011883 gold**

**cod. 026448 transparent**

**cod. 021074 black - SL**

**cod. 021073 white - SL**

**cod. 025545 h 21 mm white - SL**



DOME E14 105/H21/ASF10 BL

## ■ DOME FOR ONE-PIECE LAMPHOLDER

Fixing/connection : threaded entry (M10x1) with retainer and stem locking screw

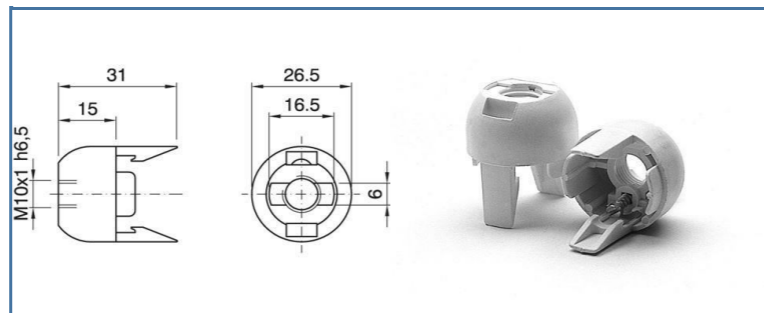
Pieces per unit : 1000

**cod. 031900 black**

**cod. 031898 white**

**cod. 013238 gold**

**cod. 021344 transparent**



DOME E14 ART.105 ASFV BL

# E14, E12 LAMPHOLDERS

## ■ DOME FOR ONE-PIECE LAMPHOLDER

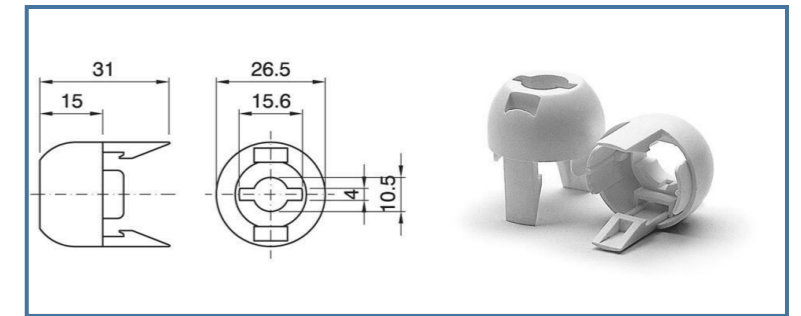
Fixing/connection : with Ø10.5 mm hole and pass-through locking device notch

Pieces per unit : 1000

**cod. 013274 black**

**cod. 011569 white**

DOME E14 ART.105 ASS BL



## ■ DOME FOR ONE-PIECE LAMPHOLDER

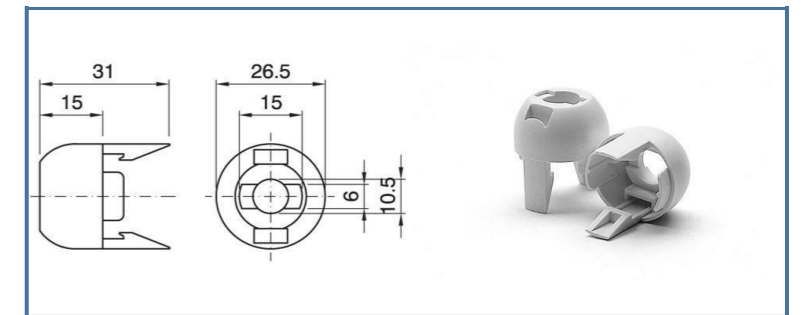
Fixing/connection : with Ø10.5 mm hole and internal and external locking device notch

Pieces per unit : 1000

**cod. 012581 black**

**cod. 011540 white**

DOME E14 ART.105 AS BL



## ■ DOME FOR ONE-PIECE LAMPHOLDER

Use/Application : with crod grip item SDI14 (cod. 023963) or SDIR14 (cod. 027252)

Pieces per unit : 1000

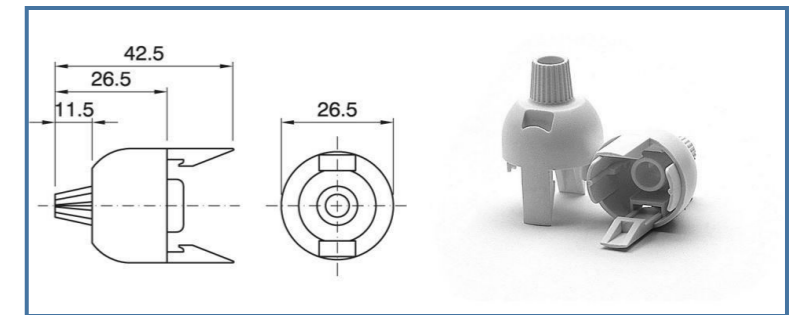
**cod. 015776 black**

**cod. 015775 white**

**cod. 015777 gold**

**cod. 023568 transparent**

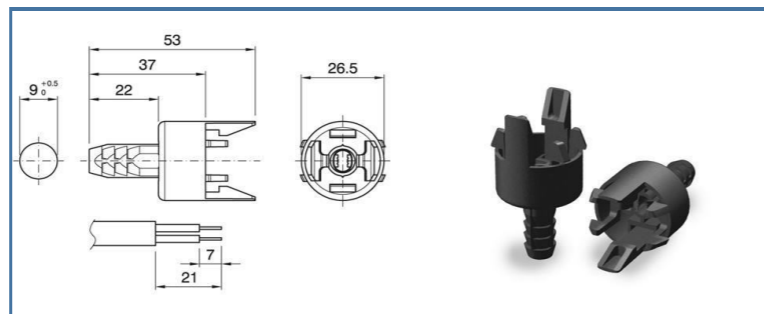
DOME E14 ART.105 SC BL



## E14, E12 LAMPHOLDERS

**DOME FOR ONE-PIECE LAMPHOLDERS (EXCLUDING SERIES 63A), WITH BUILT-IN CORD GRIP**

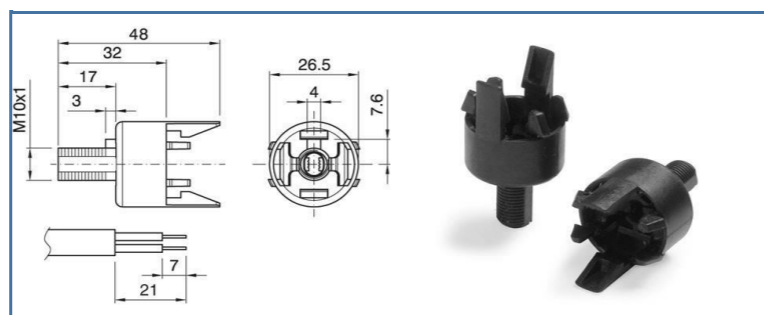
Fixing/connection : fitting for wood lamp bases  
 Use/Application : for flat cables H03VVH2-F 2x0.75 mm<sup>2</sup>  
 Pieces per unit : 1000  
**cod. 024217 black**  
**cod. 024218 white**  
**cod. 024219 gold**



DOME E14 ART.105 SCLB BL

**DOME FOR ONE-PIECE LAMPHOLDERS (EXCLUDING SERIES 63A), WITH BUILT-IN CORD GRIP**

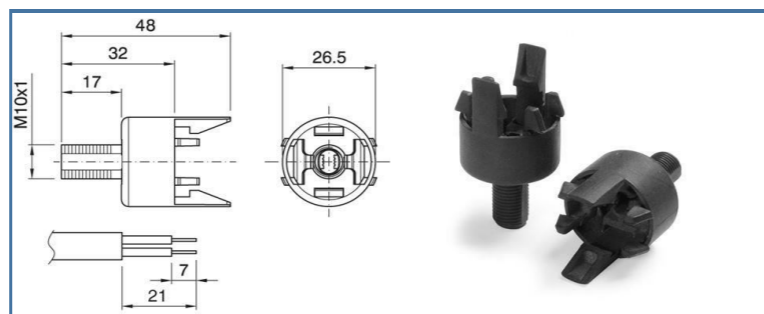
Fixing/connection : with threaded stem (M10x1) and anti-rotating device for porcelain lamp  
 Use/Application : for flat cables H03VVH2-F 2x0.75 mm<sup>2</sup>  
 Pieces per unit : 1000  
**cod. 024208 black**  
**cod. 024209 white**



DOME E14 ART.105 SBP BL

**DOME FOR ONE-PIECE LAMPHOLDERS (EXCLUDING SERIES 63A), WITH BUILT-IN CORD GRIP**

Fixing/connection : with threaded stem (M10x1) for porcelain lamp  
 Use/Application : for flat cables H03VVH2-F 2x0.75 mm<sup>2</sup>  
 Pieces per unit : 1000  
**cod. 024205 black**  
**cod. 024206 white**

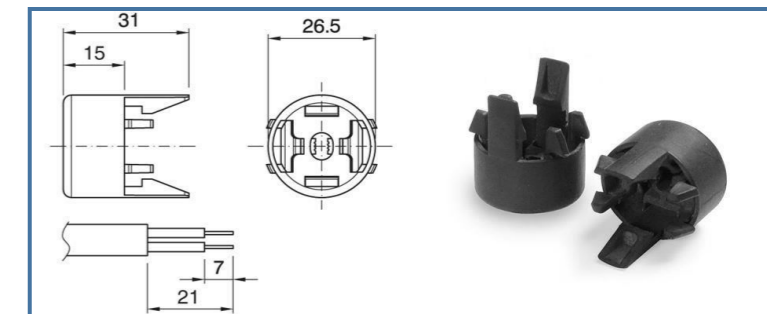


DOME E14 ART.105 SBPS BL

## E14, E12 LAMPHOLDERS

**DOME FOR ONE-PIECE LAMPHOLDERS (EXCLUDING SERIES 63A), WITH BUILT-IN CORD GRIP**

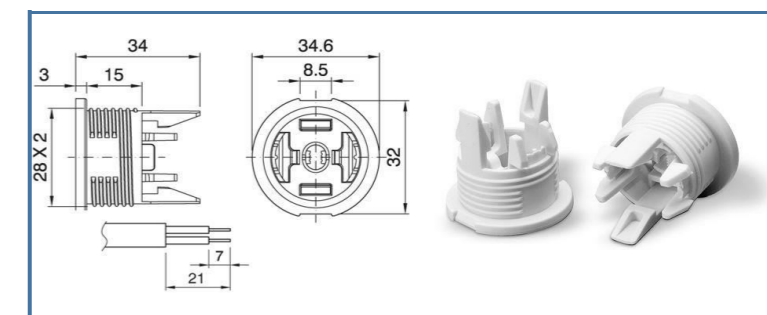
Fixing/connection : snap-on type for special application  
 Use/Application : with flat cable H03VVH2-F 2x0.75 mm<sup>2</sup>  
 Pieces per unit : 1000  
**cod. 024214 black**  
**cod. 024215 white**



DOME E14 ART.105 SB BL

**DOME FOR ONE-PIECE LAMPHOLDERS (EXCLUDING SERIES 63A), WITH BUILT-IN CORD GRIP**

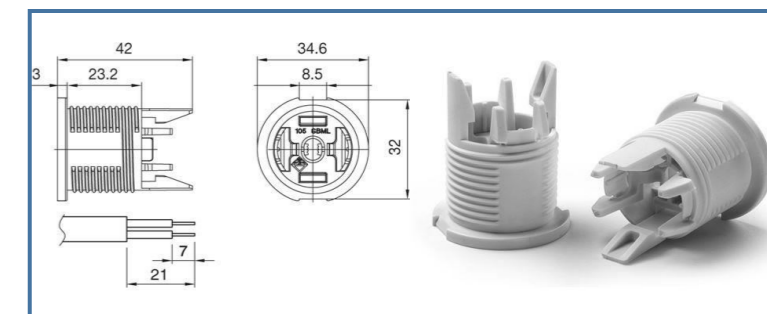
Fixing/connection : snap-on type for special applications  
 Use/Application : for flat cables H03VVH2-F 2x0.75 mm<sup>2</sup>  
 Pieces per unit : 1000  
**cod. 024211 black**  
**cod. 024212 white**  
**cod. 024213 gold**



DOME E14 ART.105 SBM BL

**DOME FOR ONE-PIECE LAMPHOLDERS (EXCLUDING SERIES 63), WITH BUILT-IN CORD GRIP FOR FLAT CABLES**

Fixing/connection : snap-on type for special application  
 Use/Application : with flat cable H03VVH2-F 2x0,75 mm<sup>2</sup>  
 Pieces per unit : 1000  
**cod. 030969 black**  
**cod. 030968 white**



DOME E14 ART.105 SBML BL

# E14, E12 LAMPHOLDERS

## ■ DOME FOR ONE-PIECE LAMPHOLDER

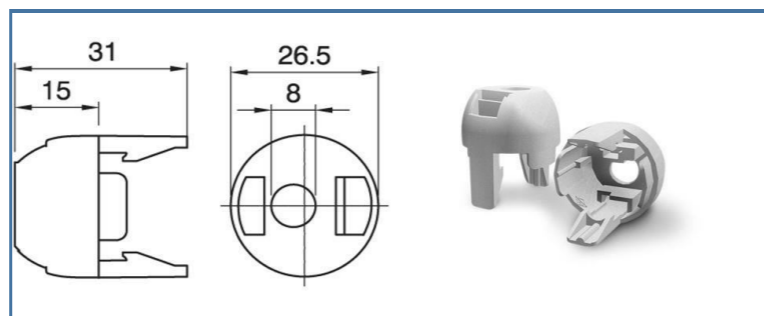
Fixing/connection : with brackets or snap-on lampholder

Pieces per unit : 1000

**cod. 027533 black**

**cod. 027532 white**

DOME E14 ART.105 ST BL

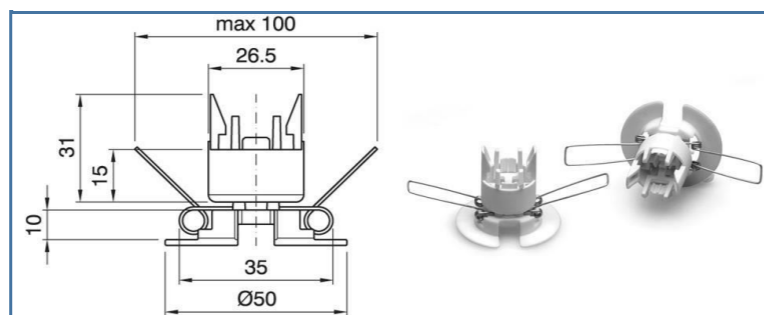


## ■ DOME FOR E14 ONE-PIECE LAMPHOLDER (EXCLUDING ITEM 63A)X, WITH BUILT-IN CORD GRIP FOR FLAT CABLES H03VVH2-F 2X0.75 MM2 AND A SPRING

Pieces per unit : 500

**cod. 026988 white**

BASE/105SB/MA1-100/WHITE



## ■ DOME WITH PLASTC BRACKET FOR ONE-PIECE LAMPHOLDER

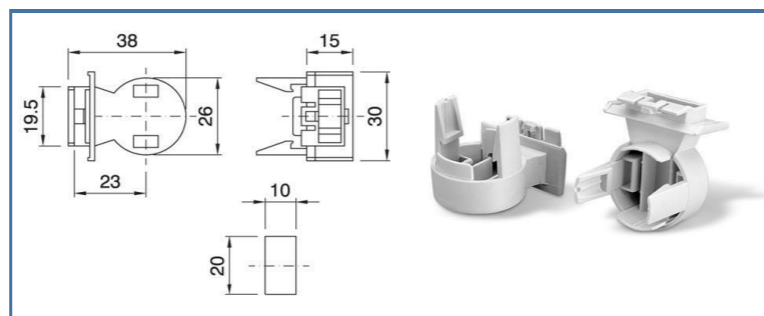
Fixing/connection : snap on type for 20x10 mm rectangular drilling pattern

Use/Application : lamp base thickness 0.4 ±0,8 mm.

Pieces per unit : 1000

**cod. 400080**

DOME E14 ART.107 TSC BEIGE



# E14, E12 LAMPHOLDERS

## E14 ONE-PIECE THERMOPLASTIC CANDLE LAMPHOLDER AND COVERS DIAMETER 24 MM

Rated current: 2A

Rated voltage: 250V

Rated temperature: T135°C

Material: thermoplastic

Other colors available on demand

Lampholder suitable for candle type bulbs

Approval: 

## ■ ONE-PIECE CANDLE LAMPHOLDER Ø24MM

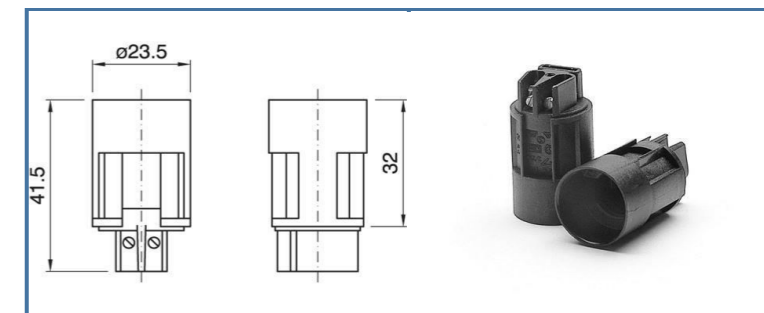
Fixing/connection : with metal brackets or snap-on domes

Pieces per unit : 1000

**cod. 009712 black**

**cod. 009921 white**

170/STD/BL/M/LHD/E14



## ■ ONE-PIECE CANDLE LAMPHOLDER Ø24MM

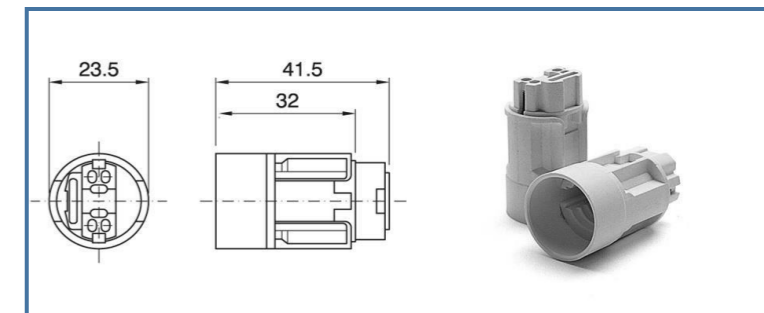
Fixing/connection : with metal brackets or snap-on domes

Pieces per unit : 1000

**cod. 019341 black**

**cod. 019340 white**

171/STD/BL/M/LHD/E14



## ■ SNAP-ON DOME ONE-PIECE CANDLE LAMPHOLDER

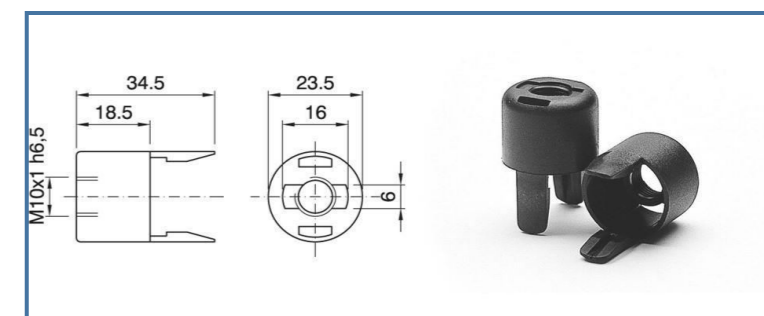
Fixing/connection : with threaded entry (M10x1) with retainer

Pieces per unit : 1000

**cod. 010286 black**

**cod. 010285 white**

DOME PER LHD 170 ASF BL

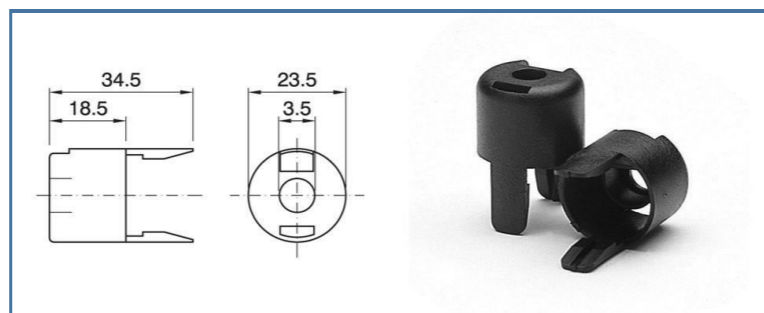


## E14, E12 LAMPHOLDERS

## SNAP-ON DOME ONE-PIECE CANDLE LAMPHOLDER

Fixing/connection : with metal brackets  
 Pieces per unit : 1000  
**cod. 019339 black**  
**cod. 020284 white**

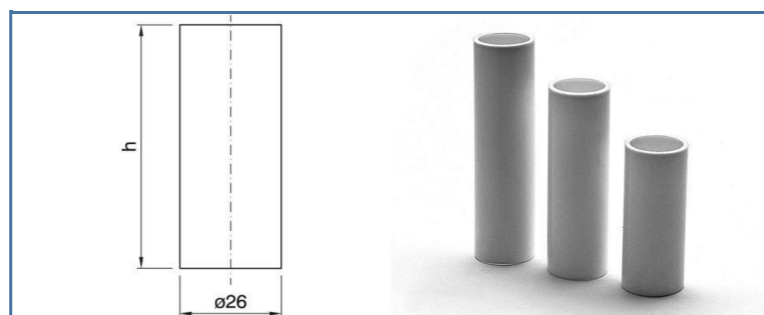
DOME PER LHD 170 SQ BL



## PLAIN COVER FOR ONE-PIECE E14 CANDLE LAMPHOLDER

Material : thermoplastic resin  
 Height : 65 mm  
 Internal hole : Ø24 mm  
 Pieces per unit : 500  
**cod. 008183 h 65 mm - ivory**  
**cod. 011111 h 65 mm - white**  
**cod. 019908 h 85 mm - ivory**  
**cod. 012016 h 85 mm - white**  
**cod. 018232 h 100 mm - ivory**  
**cod. 018233 h 100 mm - white**

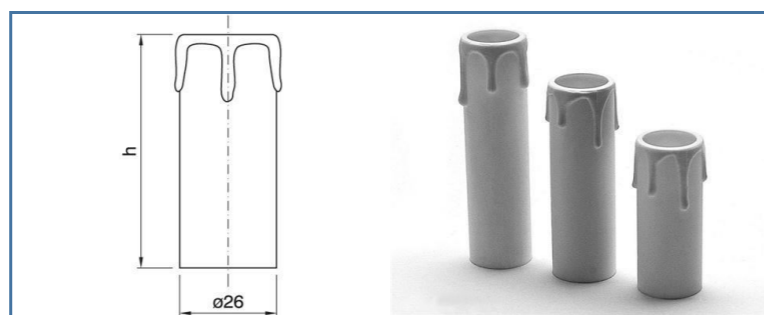
BM 65 F24 IVORY TP



## COVER WITH DROPS FOR E14 ONE-PIECE CANDLE LAMPHOLDER

Material : thermoplastic resin  
 Height : 65 mm  
 Internal hole : Ø24 mm  
 Pieces per unit : 500  
**cod. 001556 h 65 mm - ivory**  
**cod. 012761 h 65 mm - old ivory**  
**cod. 012860 h 65 mm - white**  
**cod. 011156 h 85 mm - ivory**  
**cod. 012762 h 85 mm - old ivory**  
**cod. 012861 h 85 mm - white**  
**cod. 001635 h 100 mm - ivory**  
**cod. 012760 h 100 mm - old ivory**  
**cod. 001634 h 100 mm - white**

BMG 65 F24 IVORY THERMOPLASTIC

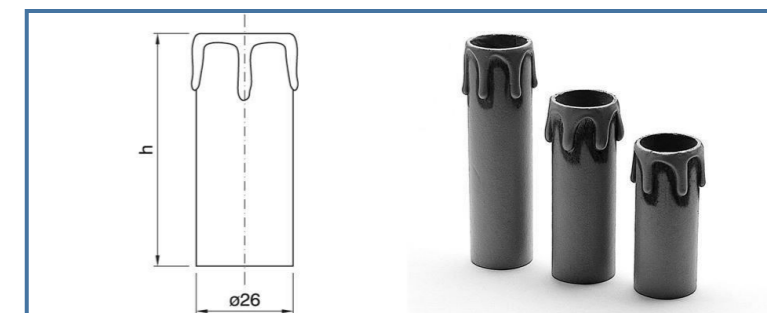


## E14, E12 LAMPHOLDERS

## COVER WITH ANTIQUE LACQUERED DROPS FOR E14 ONE-PIECE CANDLE LAMPHOLDER

Material : thermoplastic resin  
 Height : 65 mm  
 Internal hole : Ø24 mm  
 Pieces per unit : 500  
**cod. 012818 h 65 mm - antique ivory matt**  
**cod. 012820 h 85 mm - antique ivory matt**  
**cod. 012816 h 100 mm - antique ivory matt**

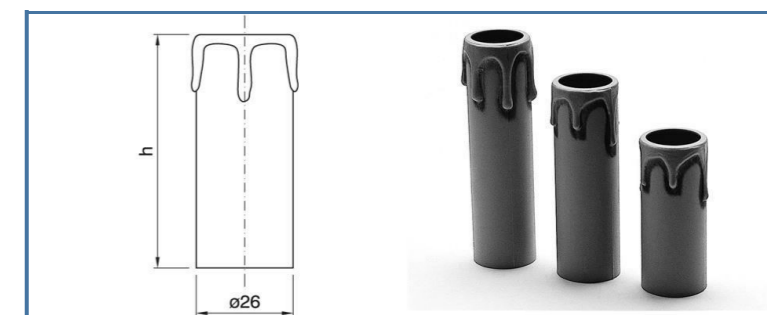
BGA 65 F24 MATTE IVORY TP



## COVER WITH ANTIQUE LACQUERED DROPS FOR E14 ONE-PIECE CANDLE LAMPHOLDER

Material : thermoplastic resin  
 Height : 65 mm  
 Internal hole : Ø24 mm  
 Pieces per unit : 500  
**cod. 014731 h 65 mm - antique ivory**  
**cod. 014732 h 85 mm - antique ivory**  
**cod. 014733 h 100 mm - antique ivory**

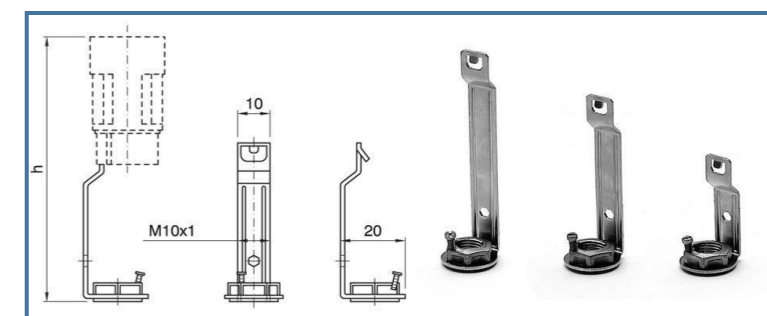
BMGA 65 F24 OLD IVORY TP



## SNAP-IN BRACKET ONE-PIECE CANDLE LAMPHOLDER

Color/Treatment: white zinc-plated  
 Height : 65 mm  
 Fixing/connection : threaded nipple (M10x1) with stem locking screw  
 Pieces per unit : 3000  
**cod. 009963 h 65 mm**  
**cod. 009964 h 85 mm**  
**cod. 009965 h 100 mm**

BRACKET SQ 1765 NIP

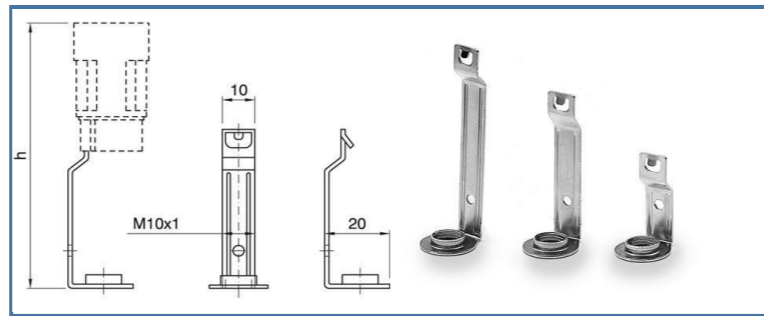


## E14, E12 LAMPHOLDERS

## SNAP-IN BRACKET ONE-PIECE CANDLE LAMPHOLDER

Color/Treatment: white zinc-plated  
 Height : 65 mm  
 Fixing/connection : through threaded entry (M10x1)  
 Pieces per unit : 3000  
**cod. 009871 h 65 mm**  
**cod. 009870 h 85 mm**  
**cod. 009869 h 100 mm**

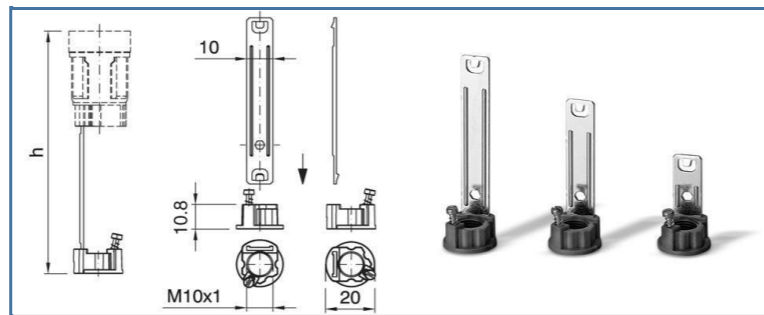
BRACKET SQ 1765 FF WH ZINC-PLATED



## SNAP-IN BRACKET ONE-PIECE CANDLE LAMPHOLDER


Color/Treatment: white zinc-plated  
 Height : 65 mm  
 Fixing/connection : pass-through threaded entry (M10x1) and stem locking screw, thermoplastic material (code 029154)  
 Pieces per unit : 3000  
**cod. 029192 h 65 mm**  
**cod. 029193 h 85 mm**  
**cod. 029189 h 100 mm**

BRACKET SQ 1765N ASFV WH ZINC-PLATED



## E14, E12 LAMPHOLDERS

## E14 THREE-PIECE PHENOLIC THERMOSETTING RESIN LAMPHOLDER

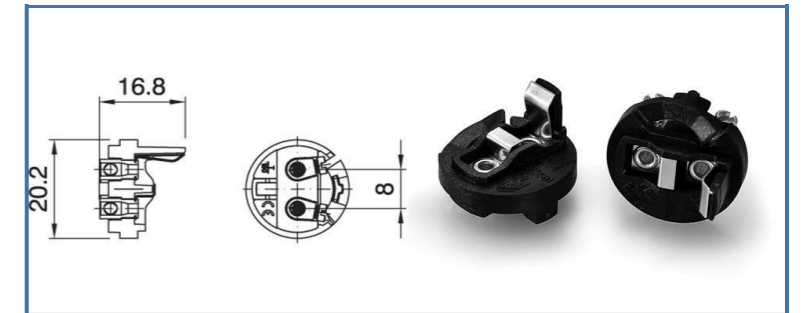
Rated current: 2A  
 Rated voltage: 250V  
 Rated temperature: T180°C  
 Material: thermosetting phenolic resin  
 Other colors available on demand  
 Approval: 



## THERMOPLASTIC INSERT FOR THREE-PIECE LAMPHOLDER WITH LOCKING DEVICE

Marking temperature : 180°C  
 Terminals : screw type  
 Pieces per unit : 1000  
**cod. 040656**

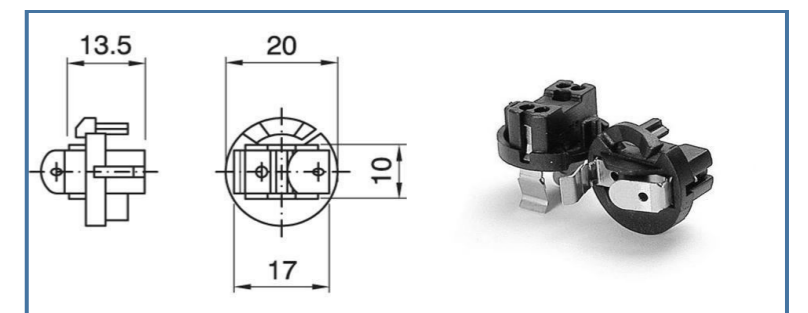
INSERT E14 T180 TPMV



## THERMOPLASTIC INSERT FOR THREE-PIECE LAMPHOLDER WITH LOCKING DEVICE

Marking temperature : 180°C  
 Terminals : spring type  
 Pieces per unit : 1000  
**cod. 040655**

INSERT E14 T180 TPMA

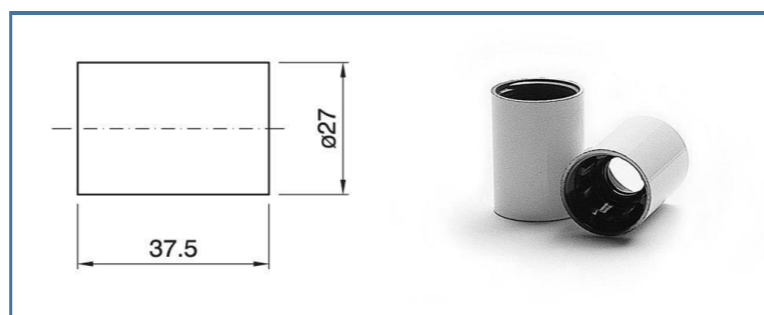


## E14, E12 LAMPHOLDERS

## PLAIN OUTER SHELL FOR THREE-PIECE LAMPHOLDER

Pieces per unit : 1000  
**cod. 040284 black**  
**cod. 000694 white**  
**cod. 000582 gold**

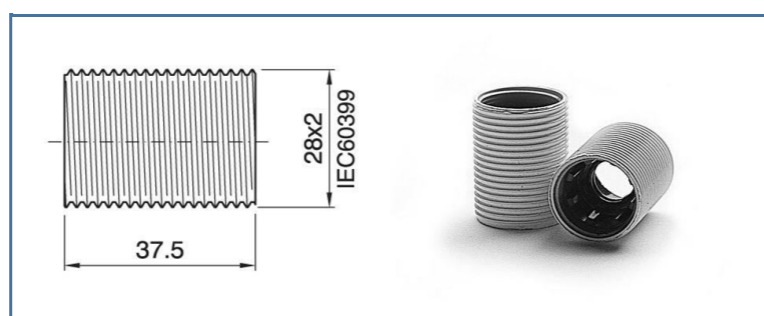
OUTER SHELL E14 ART.500 CI BL (NY)



## THREADED OUTER SHELL FOR THREE-PIECE LAMPHOLDER

Pieces per unit : 1000  
**cod. 040806 black**  
**cod. 000592 white**  
**cod. 000594 gold**

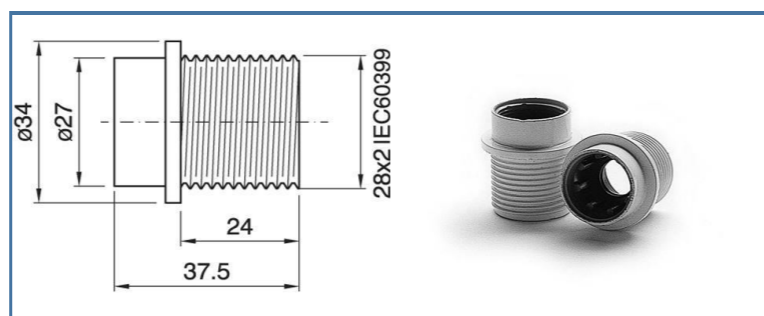
OUTER SHELL E14 ART.600 CI BLACK



## PARTY THREADED OUTER SHELL FOR THREE-PIECE LAMPHOLDER

Pieces per unit : 1000  
**cod. 040807 black**  
**cod. 000604 white**  
**cod. 000606 gold**

OUTER SHELL E14 ART.602 CI BLACK



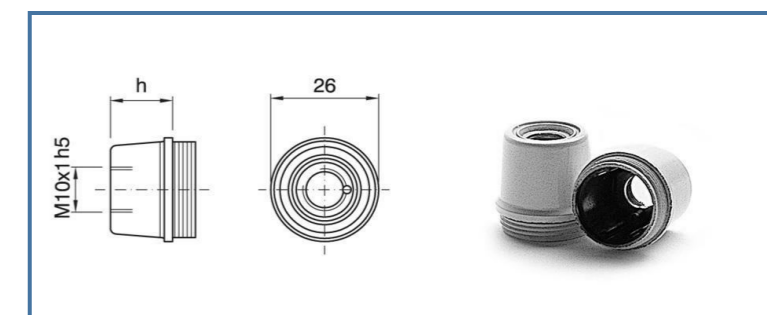
## E14, E12 LAMPHOLDERS

## DOME FOR THREE-PIECE LAMPHOLDER

Fixing/connection : with metal nipple (M10x1) and stem locking screw

Pieces per unit : 1000  
**cod. 000638 h 15 mm black**  
**cod. 000654 h 15 mm white**  
**cod. 000686 h 15 mm gold**  
**cod. 000768 h 21 mm black**  
**cod. 000784 h 21 mm white**  
**cod. 000816 h 21 mm gold**

DOME E14 NIP BLACK

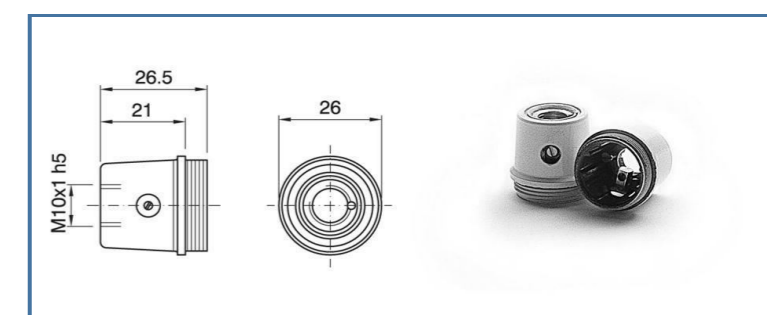


## DOME FOR THREE-PIECE LAMPHOLDER

Fixing/connection : with metal nipple (M10x1), stem locking screw and earth terminal

Pieces per unit : 1000  
**cod. 000639 black**  
**cod. 000655 white**  
**cod. 000687 gold**

DOME E14 H21 T BLACK

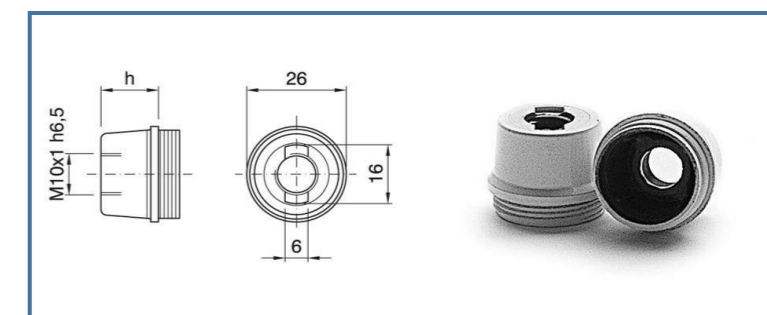


## DOME FOR THREE-PIECE LAMPHOLDER

Fixing/connection : with threaded entry (M10x1) with retainer

Pieces per unit : 1000  
**cod. 040285 h 15 mm black**  
**cod. 000659 h 15 mm white**  
**cod. 000691 h 15 mm gold**

DOME E14 ASF BLACK



# E14, E12 LAMPHOLDERS

## E14 THREE-PIECE METAL LAMPHOLDER

Rated current: 2A  
 Rated voltage: 250V  
 Rated temperature: T230°C  
 Other treatments available on demand

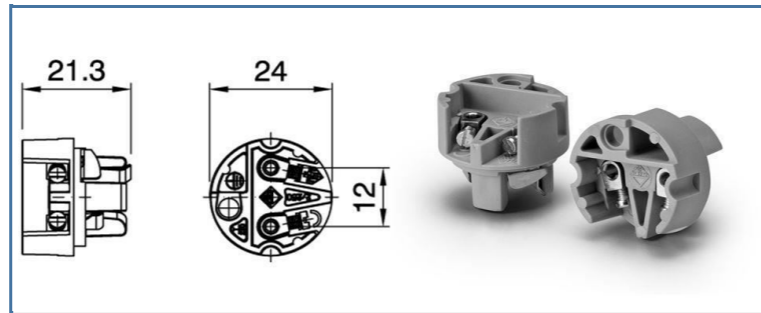
Approval: 



### INSERT IN PPS FOR THREE-PIECE METAL LAMPHOLDER WITH LOCKING DEVICE

Marking temperature : 230°C  
 Terminals : screw type  
 Pieces per unit : 1000  
**cod. 033703**

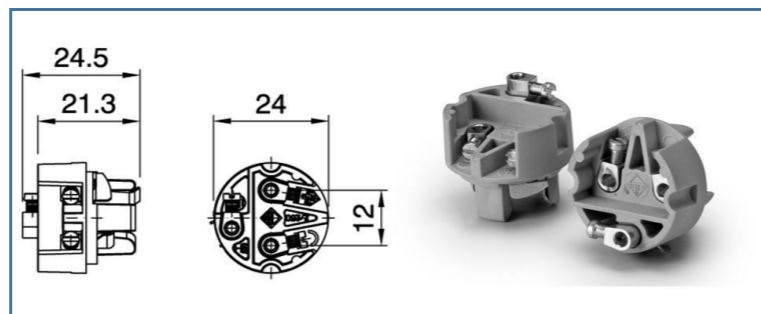
INSERT E14 T230 PPS M LHD ME T



### INSERT IN PPS FOR THREE-PIECE METAL LAMPHOLDER WITH LOCKING DEVICE AND EARTH TERMINAL

Marking temperature : 230°C  
 Terminals : screw type  
 Pieces per unit : 1000  
**cod. 033704**

INSERT E14 FT T230 PPS M LHD MET

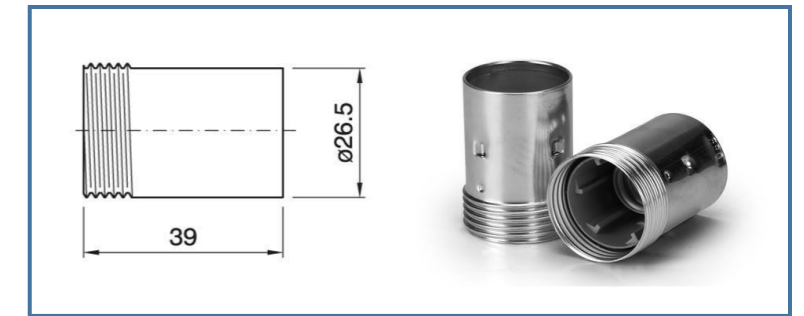


# E14, E12 LAMPHOLDERS

## PLAIN OUTER SHELL FOR THREE-PIECE METAL LAMPHOLDER

Pieces per unit : 1000  
**cod. 033990 brass plated**  
**cod. 033991 white zinc plated**  
**cod. 036218 nikel plated**  
**cod. 040319 gunmetal**  
**cod. 040320 copper plated**

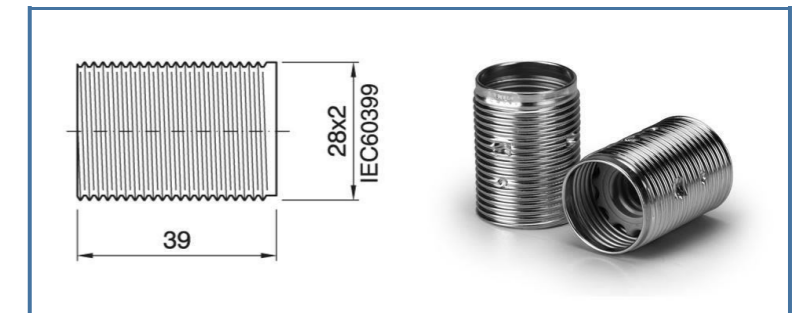
PLAIN OUTER SHELL E14 590 PPS BRASS PLATED



## THREADED OUTER SHELL FOR THREE-PIECE METAL LAMPHOLDER

Pieces per unit : 1000  
**cod. 033992 brass plated**  
**cod. 035915 copper plated**  
**cod. 036220 nikel plated**  
**cod. 040321 gunmetal**  
**cod. 033993 white zinc plated**

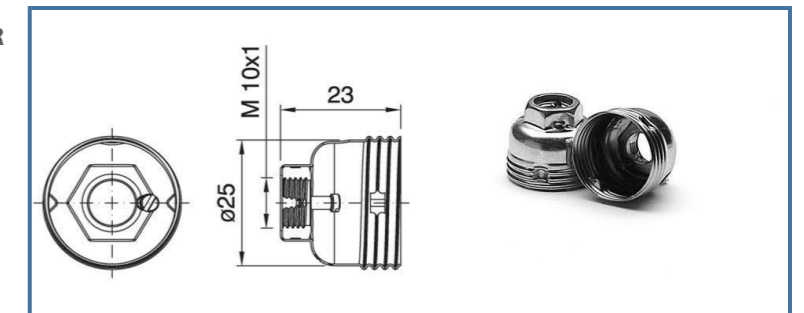
THREADED OUTER SHELL E14 591 PPS BRASS PLATED



## ROUND DOME FOR THREE-PIECE METAL LAMPHOLDER

Fixing/connection : with metal nipple (M10x1) and stem locking screw  
 Pieces per unit : 1000  
**cod. 028012 brass plated**  
**cod. 035916 copper plated**  
**cod. 029691 nikel plated**  
**cod. 040325 gunmetal**  
**cod. 028013 white zinc plated**

DOME E14 MET NIP BRASS PLATED

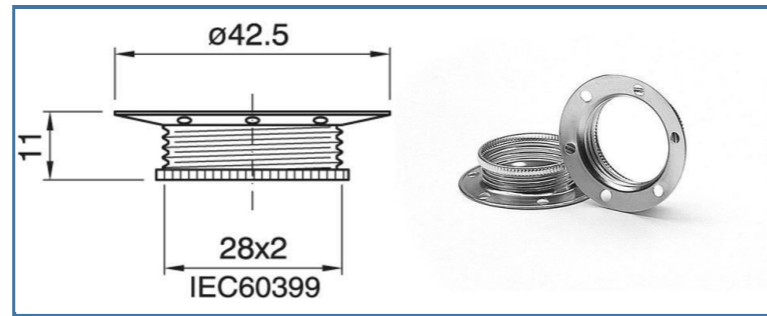


# E14, E12 LAMPHOLDERS

## SHADE RING FOR METAL LAMPHOLDER

Pieces per unit : 1000  
**cod. 016700 brass plated**  
**cod. 022843 nickel plated**  
**cod. 035917 copper plated**  
**cod. 040327 gunmetal**  
**cod. 016701 white zinc plated**

SHADE RING E14 ART.1418 BRASS-PLATED



# E14, E12 LAMPHOLDERS

## E12 THREE-PIECE THERMOPLASTIC LAMPHOLDER

Rated power: 75W  
 Rated voltage: 125V  
 Rated temperature: T150°C  
 Material: thermoplastic  
 Other colors available on demand

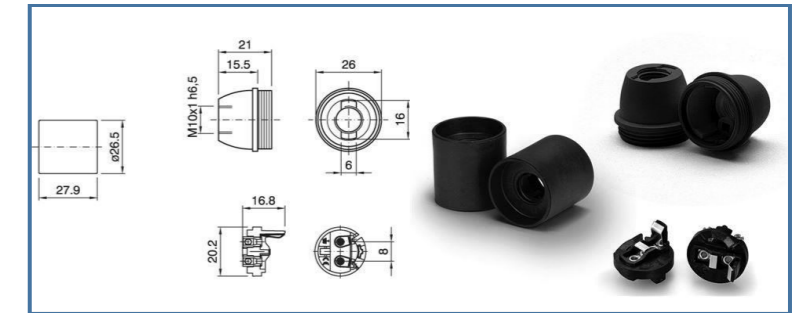
Approval:  US LISTED  
 EU



## E12 LAMPHOLDER DISASSEMBLED INTO THREE PIECES, INSERT WITH LOCKING DEVICE, PLAIN OUTER SHELL, DOME WITH THREADED ENTRY (M10X1) WITH RETAINER

Fixing/connection : with threaded entry (M10x1) with retainer  
 Pieces per unit : 500  
**cod. 034558 black**

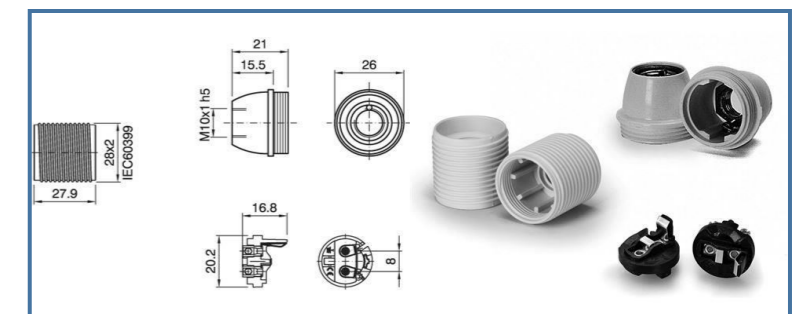
500TP/TPMV/ASFTP/BL/SM/S500/LHD/E12



## E12 LAMPHOLDER DISASSEMBLED INTO THREE PIECES, INSERT WITH LOCKING DEVICE, THREADED OUTER SHELL, AND DOME WITH METAL NIPPLE (M10X1) WITH STEM LOCKING SCREW

Fixing/connection : with metal nipple (M10x1) and stem locking screw  
 Pieces per unit : 500  
**cod. 034559 white**

600TP/TPMV/NIPTP/WH/SM/S500/LHD/E12

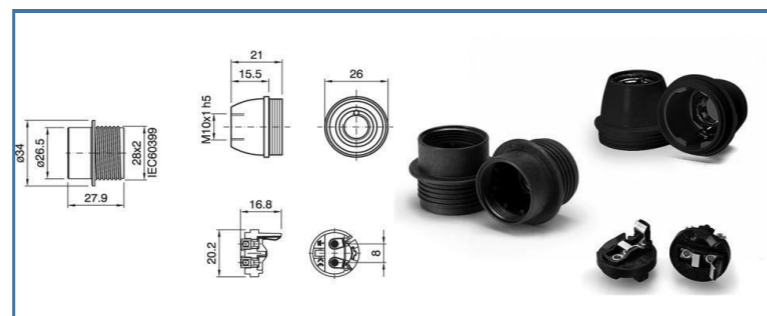




## E14, E12 LAMPHOLDERS

**E12 LAMPHOLDER DISASSEMBLED INTO THREE PIECES, INSERT WITH LOCKING DEVICE, PARTLY THREADED OUTER SHELL, DOME WITH THREADED ENTRY (M10X1) WITH STEM LOCKING SCREW**

Fixing/connection : threaded entry (M10x1) with retainer and stem locking screw  
 Pieces per unit : 500  
**cod. 034560 black**



602TP/TPMV/ASFVTP/BL/SM/S500/LHD/E12

## E14, E12 LAMPHOLDERS

## E14, E12 LAMPHOLDERS

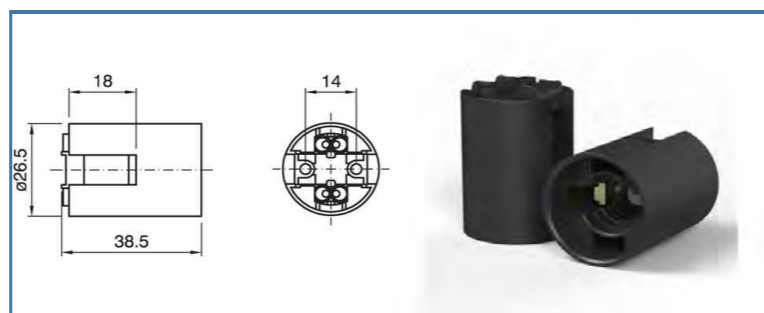
## E12 ONE-PIECE THERMOPLASTIC LAMPHOLDER

Rated power: 75W  
 Rated voltage: 125V  
 Rated temperature: T150°C  
 Material: thermoplastic  
 Other colors available on demand

Approval:  US

## ONE-PIECE LAMPHOLDER WITH PLAIN OUTER SHELL

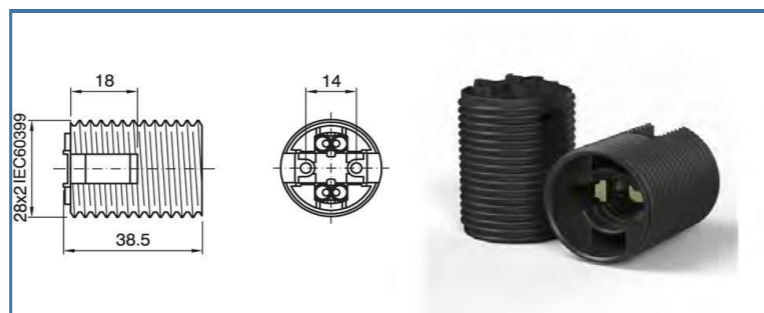
Terminals : spring type  
 Fixing/connection : through holes for Ø3 mm self-threading screws or with snap-on domes  
 Pieces per unit : 1000  
**cod. 038885 black**  
**cod. 038886 white**  
**cod. 024008 transparent**



50/T150/BL/M/LHD/E12

## ONE-PIECE LAMPHOLDER WITH THREADED OUTER SHELL

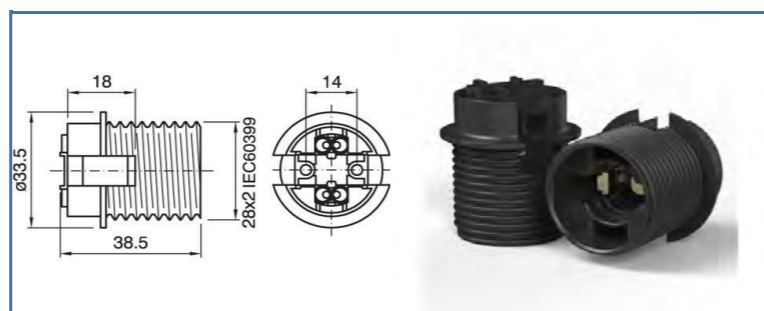
Terminals : spring type  
 Fixing/connection : through holes for Ø3 mm self-threading screws or with snap-on domes  
 Pieces per unit : 1000  
**cod. 038887 black**  
**cod. 038888 white**  
**cod. 024932 transparent**



60/T150/BL/M/LHD/E12

## ONE-PIECE LAMPHOLDER WITH PARTLY THREADED OUTER SHELL

Terminals : spring type  
 Fixing/connection : through holes for Ø3 mm self-threading screws or with snap-on domes  
 Pieces per unit : 1000  
**cod. 038889 black**  
**cod. 038890 white**  
**cod. 024014 transparent**

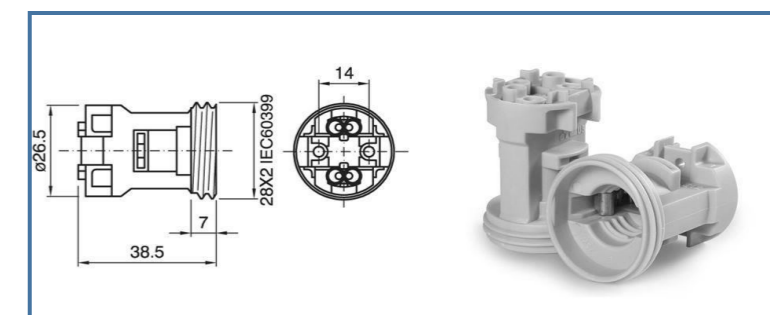


62/T150/BL/M/LHD/E12

## E14, E12 LAMPHOLDERS

## SHORT THREADED ONE-PIECE LAMPHOLDER

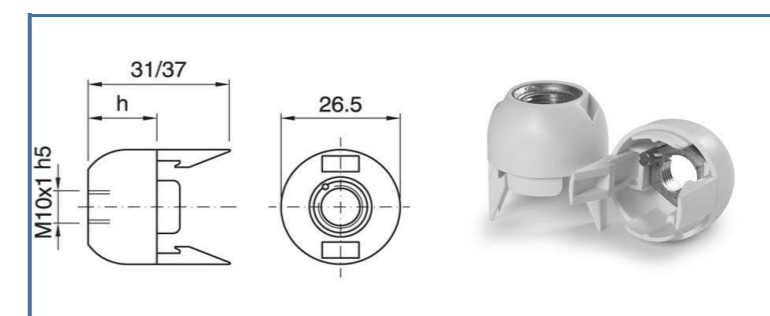
Terminals : spring type  
 Fixing/connection : through holes for Ø3 mm self-threading screws or with snap-on domes  
 Pieces per unit : 1000  
**cod. 038891 black**  
**cod. 038892 beige**  
**cod. 024017 transparent**



63/T150/BL/M/LHD/E12

## DOME FOR ONE-PIECE LAMPHOLDER

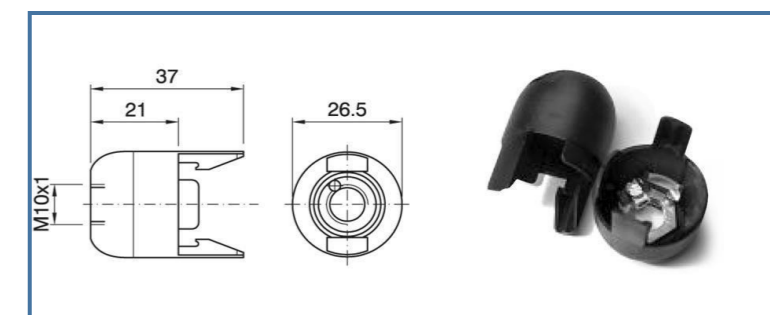
Fixing/connection : with metal nipple (M10x1) and stem locking screw  
 Pieces per unit : 1000  
**cod. 012338 h 15 mm black**  
**cod. 012110 h 15 mm white**  
**cod. 012445 h 15 mm gold**  
**cod. 022510 h 15 mm transparent**  
**cod. 026198 h 21 mm white**  
**cod. 026199 h 21 mm black**



DOM E14 ART.105 NIP BL

## DOME FOR ONE-PIECE LAMPHOLDER

Fixing/connection : with metal nipple (M10x1), stem locking screw and earth terminal  
 Pieces per unit : 1000  
**cod. 026258 black**  
**cod. 026257 white**



DOM E14 ART105/H21/T BLACK

## E14, E12 LAMPHOLDERS

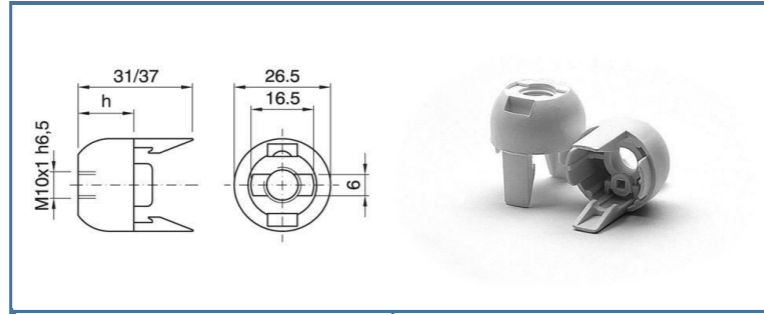
## DOME FOR ONE-PIECE LAMPHOLDER

Fixing/connection : with threaded entry (M10x1) with retainer

Pieces per unit : 1000

**cod. 030931 black**  
**cod. 026093 white**  
**cod. 011883 gold**  
**cod. 026448 transparent**  
**cod. 021074 black - SL**  
**cod. 021073 white - SL**  
**cod. 025546 h 21 mm black - SL**  
**cod. 025545 h 21 mm white - SL**

DOME E14 ART.105 ASF BL



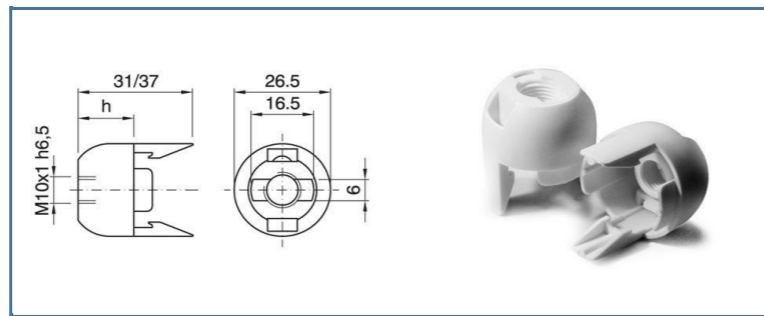
## DOME FOR ONE-PIECE LAMPHOLDER

Fixing/connection : with threaded entry (M10x1) with retainer, suitable for side exit of cable

Pieces per unit : 1000

**cod. 025546 h 21 mm black - SL**  
**cod. 030931 black**  
**cod. 026093 white**  
**cod. 011883 gold**  
**cod. 026448 transparent**  
**cod. 021074 black - SL**  
**cod. 021073 white - SL**  
**cod. 025545 h 21 mm white - SL**

DOME E14 105/H21/ASF10 BL



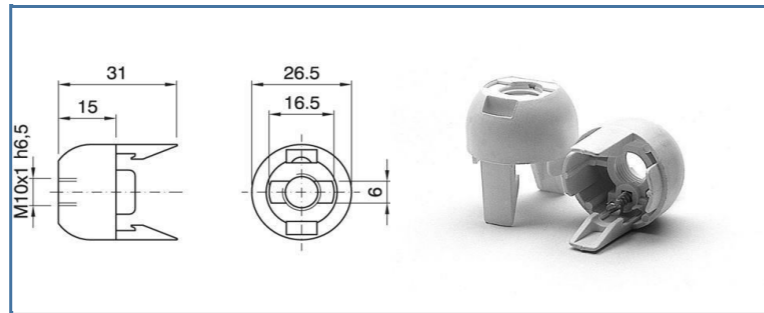
## DOME FOR ONE-PIECE LAMPHOLDER

Fixing/connection : threaded entry (M10x1) with retainer and stem locking screw

Pieces per unit : 1000

**cod. 031900 black**  
**cod. 031898 white**  
**cod. 013238 gold**  
**cod. 021344 transparent**

DOME E14 ART.105 ASFV BL



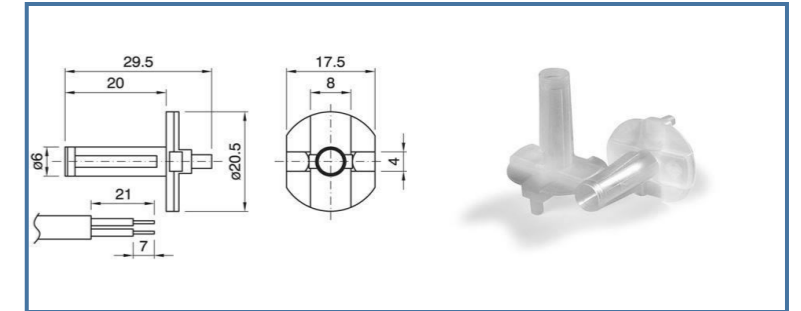
## E14, E12 LAMPHOLDERS

## ACCESSORIES E14, E12

**CLOSED CORD GRIP/INSULATOR FOR E14 ONE-PIECE LAMPHOLDER, USED FOR CLASS II APPLICATION, SPECIFIC FOR METAL TUBE WITH INTERNAL Ø 6.5÷6.8 MM**

Use/Application : with flat cable H03VVH2-F 2x 0.5-0,75 mm<sup>2</sup>  
**cod. 023963 natural**

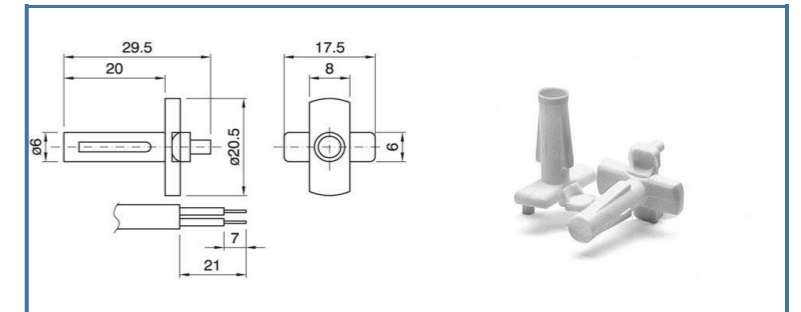
SDI14 INSULATOR NATURAL



**CLOSED CORD GRIP/INSULATOR FOR E14 ONE-PIECE LAMPHOLDER, USED FOR CLASS II APPLICATION, SPECIFIC FOR INCREASED METAL TUBE INTERNAL Ø 6,9÷7,3 MM**

Use/Application : with flat cable H03VVH2-F 2x 0.5-0,75 mm<sup>2</sup>  
**cod. 022919 beige**

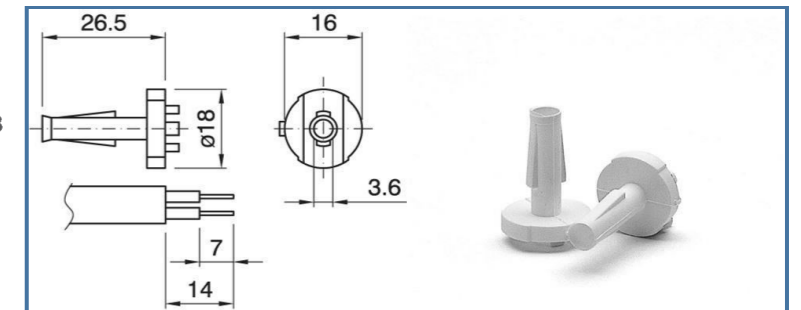
SDI14/1 INSULATOR BEIGE



**CLOSED CORD GRIP/INSULATOR FOR E14 THREE-PIECE LAMPHOLDER, USED FOR CLASS II, SPECIFIC TO USE WITH A THREADED METAL STEM (INTERNAL Ø 6.5 ÷ 6.8 MM)**

Use/Application : with flat cable H03VVH2-F 2x0,75 mm<sup>2</sup>  
**cod. 016622 white**

SIB14 WH CORD GRIP

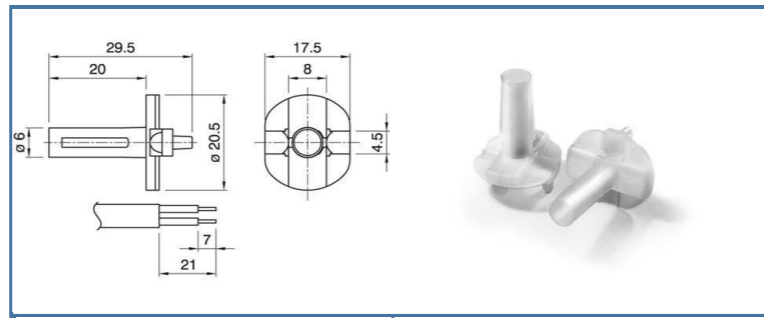


# E14, E12 LAMPHOLDERS

**CLOSED CORD GRIP/INSULATOR FOR E14 ONE-PIECE LAMPHOLDER, USED FOR CLASS II APPLICATION, SPECIFIC FOR METAL TUBE WITH INTERNAL Ø 6.5÷6.8 MM**

Use/Application : with round cable H03VV-F 2x0,75 mm<sup>2</sup>  
**cod. 027252 natural**

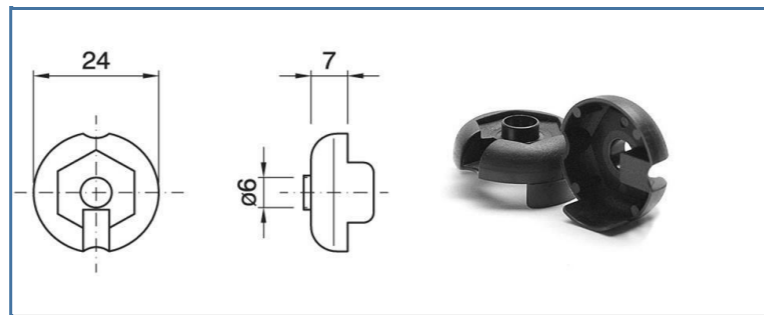
SDIR14 NA CORD GRIP



**CLOSED INSULATOR FOR E14 NIPPEL METAL DOME**

**cod. 019578**

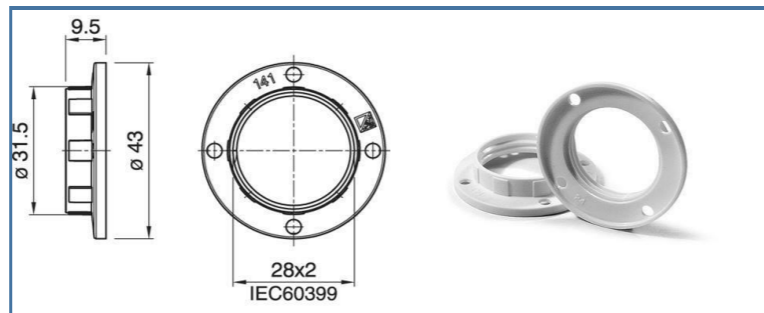
ISM-14 INSULATOR X CP LHD MET E14



**SHADE RING FOR THREADED LAMPHOLDER**

Pieces per unit : 1000  
**cod. 012423 black**  
**cod. 012422 white**  
**cod. 026472 white painted**  
**cod. 012421 gold**  
**cod. 026473 gold painted**  
**cod. 021353 transparent**

SHADE RING E14 ART.141 BL

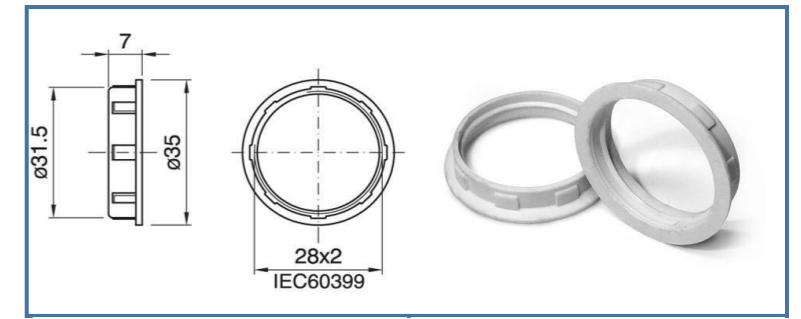


# E14, E12 LAMPHOLDERS

**SHADE RING FOR THREADED LAMPHOLDER**

Pieces per unit : 1000  
**cod. 012261 black**  
**cod. 012260 white**  
**cod. 026474 white painted**  
**cod. 026475 gold painted**  
**cod. 013240 gold**

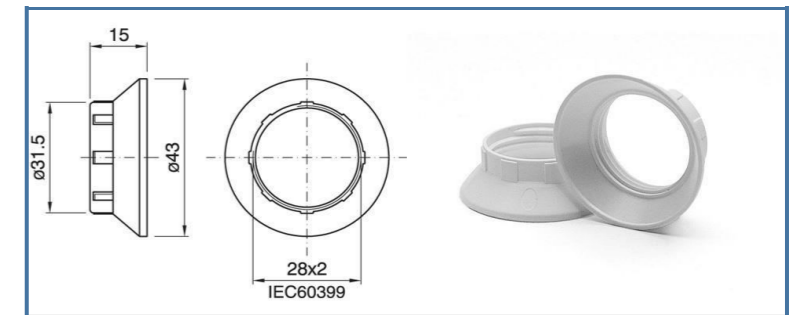
SHADE RING E14 ART.142 BL



**SHADE RING FOR THREADED LAMPHOLDER**

Pieces per unit : 1000  
**cod. 018287 black**  
**cod. 018286 white**  
**cod. 018288 gold**

SHADE RING E14 ART.143 BL



**SHADE RING FOR THREADED LAMPHOLDER**

Pieces per unit : 1000  
**cod. 018290 black**  
**cod. 018289 white**  
**cod. 018291 gold**

SHADE RING E14 ART.144 BL



# E27, E26 LAMPHOLDERS

<b>E27 three-piece thermoplastic matt lampholder</b>	<b>40</b>
<b>E27 three-piece thermoplastic shiny lampholder</b>	<b>44</b>
<b>E27 one-piece thermoplastic lampholder</b>	<b>48</b>
<b>E27 three-piece thermoplastic lampholder with switch</b>	<b>56</b>
<b>E27 three-piece phenolic thermosetting resin lampholder</b>	<b>59</b>
<b>E27 phenolic thermosetting resin lampholder with toggle switch</b>	<b>62</b>
<b>E27 three-piece metal lampholder</b>	<b>64</b>
<b>E27 porcelain lampholder</b>	<b>67</b>
<b>E26 three-piece thermoplastic lampholder</b>	<b>68</b>
<b>E26 one-piece thermoplastic lampholder</b>	<b>70</b>
<b>Accessories E27, E26</b>	<b>73</b>

# E27, E26 LAMPHOLDERS

## E27 THREE-PIECE THERMOPLASTIC MATT LAMPHOLDER

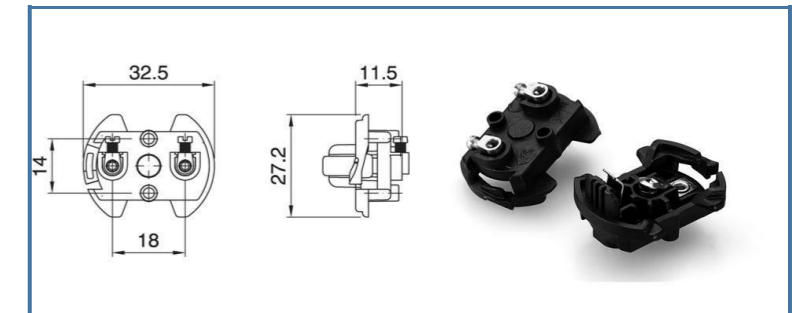
Rated current: 4A  
 Rated voltage: 250V  
 Rated temperature: T180°C - T210°C  
 Material: thermoplastic  
 Other colors available on demand  
 Approval:



### THERMOPLASTIC INSERT FOR THREE-PIECE LAMPHOLDER WITH LOCKING DEVICE

Marking temperature : 180°C  
 Terminals : screw type  
 Pieces per unit : 500  
**cod. 040318 T 180°C**  
**cod. 029683 T 210°C**

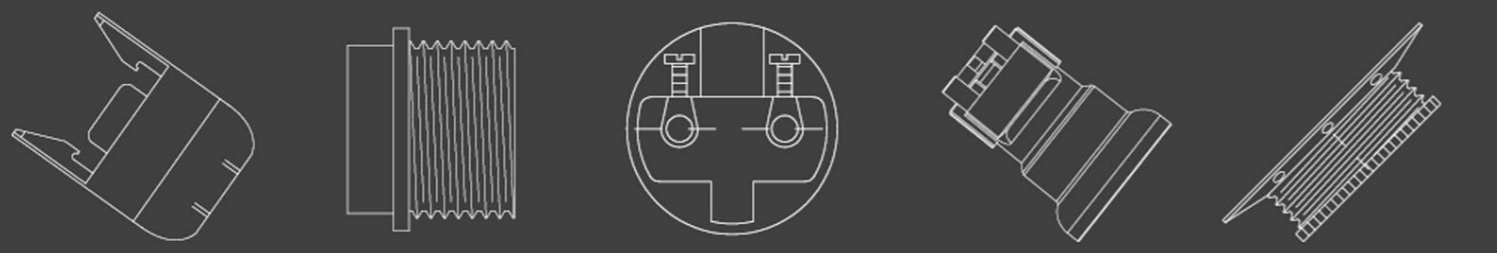
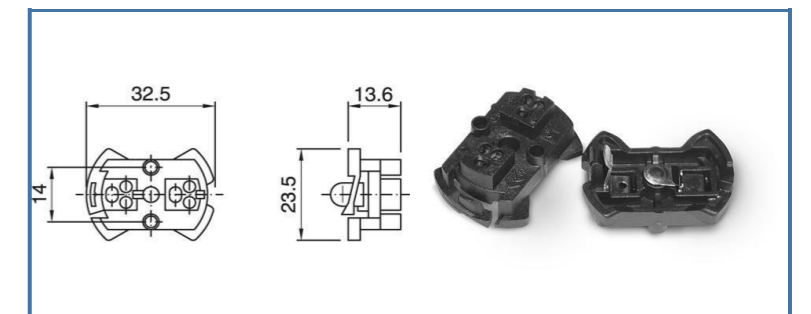
INSERT E27 T180 TPMV



### THERMOPLASTIC INSERT FOR THREE-PIECE LAMPHOLDER WITH LOCKING DEVICE

Marking temperature : 180°C  
 Terminals : spring type  
 Pieces per unit : 500  
**cod. 040317 T 180°C**  
**cod. 020225 T 210°C**

INSERT E27 T180 TPMA

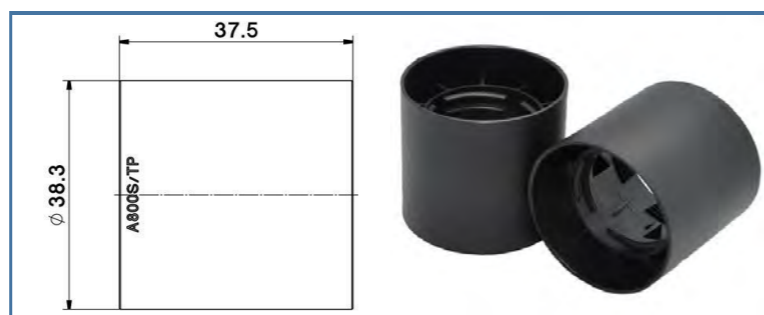


## E27, E26 LAMPHOLDERS

## PLAIN OUTER SHELL WITH REDUCED THICKNESS FOR THREE-PIECE LAMPHOLDER

Pieces per unit : 500  
**cod. 038234 black**  
**cod. 038233 white**  
**cod. 038235 gold**

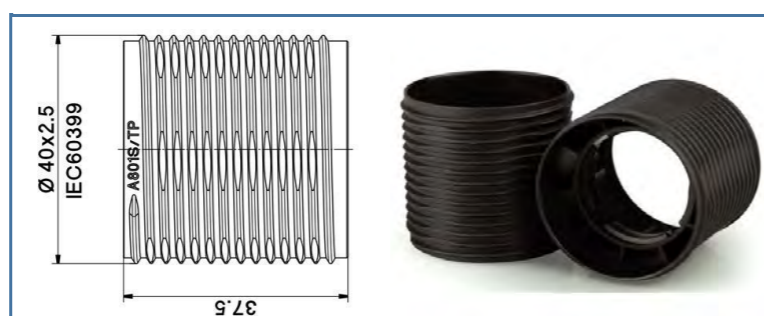
OUTER SHELL E27 A800S TP BL



## THREADED OUTER SHELL WITH REDUCED THICKNESS FOR THREE-PIECE LAMPHOLDER

Pieces per unit : 500  
**cod. 038237 black**  
**cod. 038236 white**  
**cod. 038238 gold**

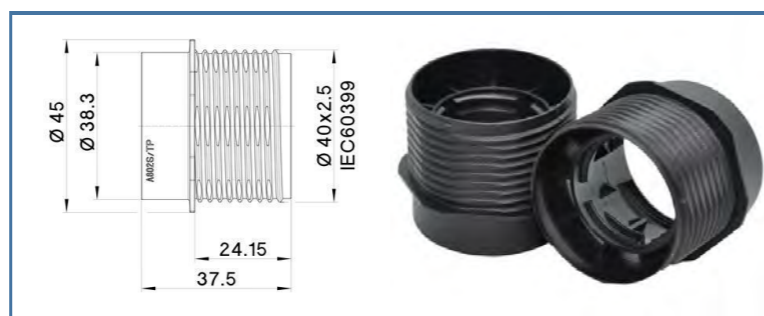
OUTER SHELL E27 A801S TP BL



## HALF THREADED OUTER SHELL WITH REDUCED THICKNESS FOR THREE-PIECE LAMPHOLDER

Pieces per unit : 500  
**cod. 040572 black**  
**cod. 040573 white**  
**cod. 040574 gold**

OUTER SHELL E27 A802S TP BL



## E27, E26 LAMPHOLDERS

## DOME FOR THREE-PIECE LAMPHOLDER

Fixing/connection : with metal nipple (M10x1) and stem locking screw

Pieces per unit : 500  
**cod. 028276 black**  
**cod. 028275 white**  
**cod. 028277 gold**

DOMO E27 NIP TP BL



## DOME FOR THREE-PIECE LAMPHOLDER

Fixing/connection : with metal nipple (M10x1), stem locking screw and earth terminal

Pieces per unit : 500  
**cod. 028279 black**  
**cod. 028278 white**  
**cod. 028280 gold**

DOMO E27 T TP BL

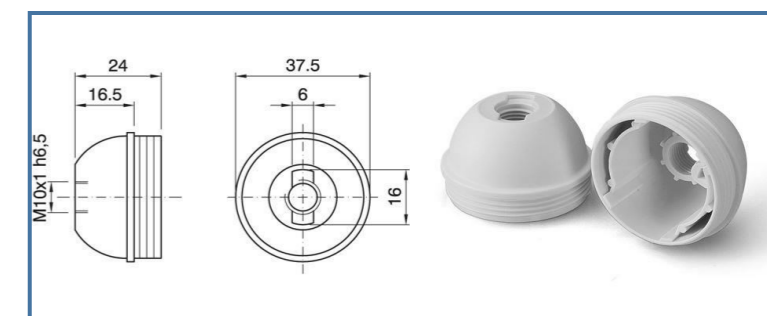


## DOME FOR THREE-PIECE LAMPHOLDER

Fixing/connection : with threaded entry (M10x1) with retainer

Pieces per unit : 500  
**cod. 028267 black**  
**cod. 028266 white**  
**cod. 028268 gold**

DOMO E27 ASF TP BL



## E27, E26 LAMPHOLDERS

## DOME FOR THREE-PIECE LAMPHOLDER

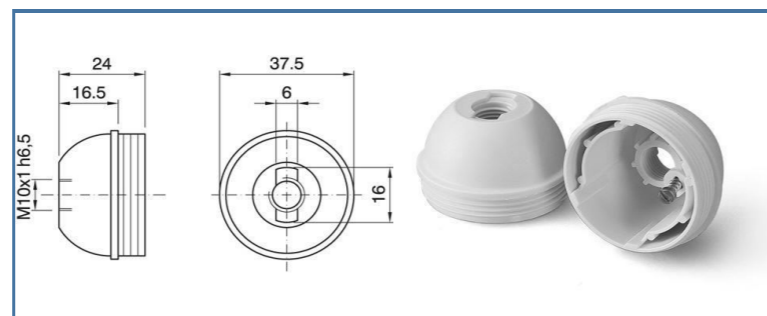
Fixing/connection : threaded entry (M10x1) with retainer and stem locking screw

Pieces per unit : 500

**cod. 028270 black**

**cod. 028269 white**

**cod. 028271 gold**



DOME E27 ASFV TP BL

## E27, E26 LAMPHOLDERS

## E27 THREE-PIECE THERMOPLASTIC SHINY LAMPHOLDER

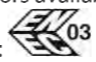
Rated current: 4A

Rated voltage: 250V

Rated temperature: T180°C - T210°C

Material: thermoplastic

Other colors available on demand

Approval: 



## THERMOPLASTIC INSERT FOR THREE-PIECE LAMPHOLDER WITH LOCKING DEVICE

Marking temperature : 180°C

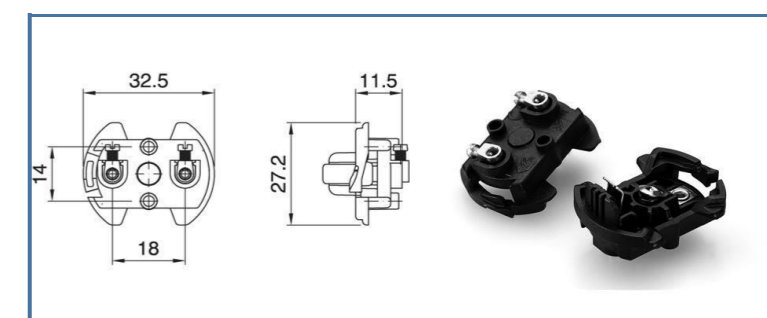
Terminals : screw type

Pieces per unit : 500

**cod. 040318 T 180°C**

**cod. 029683 T 210°C**

INSERT E27 T180 TPMV



## THERMOPLASTIC INSERT FOR THREE-PIECE LAMPHOLDER WITH LOCKING DEVICE

Marking temperature : 180°C

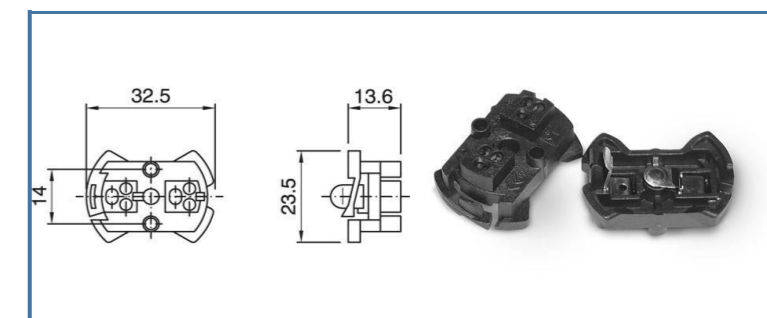
Terminals : spring type

Pieces per unit : 500

**cod. 040317 T 180°C**

**cod. 020225 T 210°C**

INSERT E27 T180 TPMA

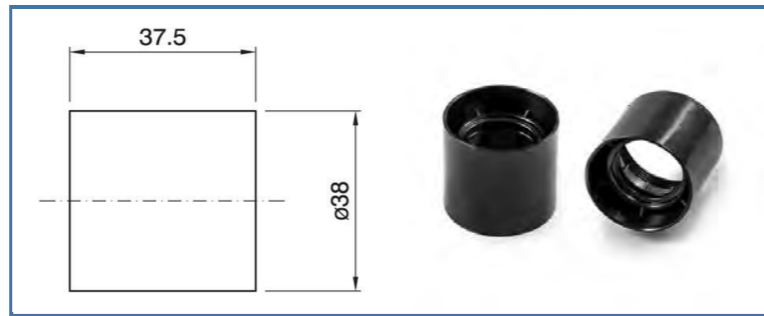


## E27, E26 LAMPHOLDERS

## PLAIN OUTER SHELL FOR THREE-PIECE SHINY LAMPHOLDER

Marking temperature : 180°C

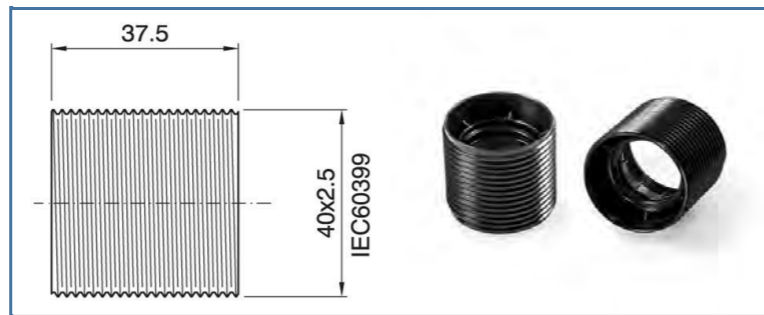
Pieces per unit : 500

**cod. 040202 shiny black****cod. 041914 shiny gold painted****cod. 040384 shiny white****cod. 040733 shiny gold**

OUTER SHELL E27 A800 TPL BLACK

## THREADED OUTER SHELL FOR THREE-PIECE SHINY LAMPHOLDER

Pieces per unit : 500

**cod. 040564 shiny black****cod. 041908 shiny gold painted****cod. 040616 shiny white****cod. 040734 shiny gold**

OUTER SHELL E27 ART. A801 TPL BLACK

## HALF THREADED OUTER SHELL FOR THREE-PIECE SHINY LAMPHOLDER

Pieces per unit : 500

**cod. 040565 shiny black****cod. 041915 shiny gold painted****cod. 040617 shiny white****cod. 040735 shiny gold**

OUTER SHELL E27 A802 TPL BLACK

## E27, E26 LAMPHOLDERS

## DOME FOR THREE-PIECE SHINY LAMPHOLDER

Fixing/connection : with metal nipple (M10x1) and stem locking screw

Pieces per unit : 500

**cod. 040392 shiny black****cod. 041917 shiny gold painted****cod. 040391 shiny white****cod. 040738 shiny gold**

DOME E27 NIP 2POS TPL BLACK

## DOME FOR THREE-PIECE SHINY LAMPHOLDER

Fixing/connection : with metal nipple (M10x1), stem locking screw and earth terminal

Pieces per unit : 500

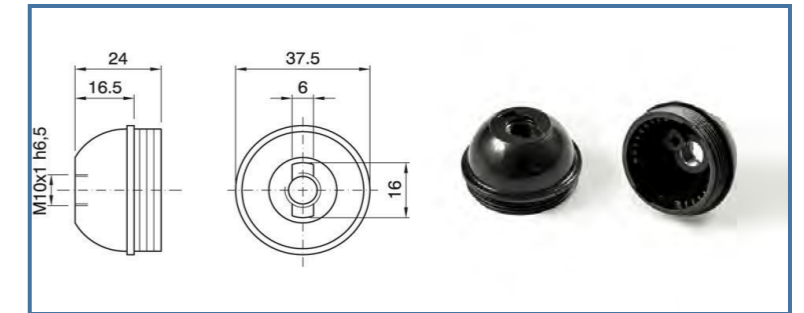
**cod. 040741 shiny black****cod. 040740 shiny white****cod. 040742 shiny gold**

DOME E27 T 2POS TPL BL

## DOME FOR THREE-PIECE SHINY LAMPHOLDER

Fixing/connection : with threaded entry (M10x1) with retainer

Pieces per unit : 500

**cod. 040203 shiny black****cod. 041916 shiny gold painted****cod. 040385 shiny white****cod. 040737 shiny gold**

DOME E27 ASF 2POS TPL BL



## E27, E26 LAMPHOLDERS

### ■ DOME FOR THREE-PIECE SHINY LAMPHOLDER

Fixing/connection : threaded entry (M10x1) with retainer and stem locking screw

Pieces per unit : 500

**cod. 040625 shiny black**

**cod. 040624 shiny white**

**cod. 040739 shiny gold**



DOME E27 ASFV 2POS TPL BL P.A.

### ■ DOME WITH FLANGE FOR THREE-PIECE SHINY LAMPHOLDER

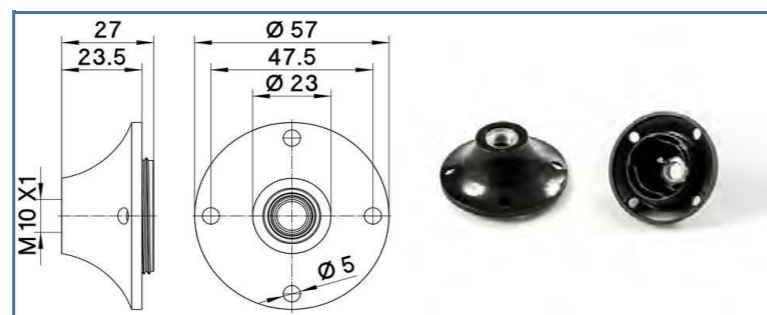
Fixing/connection : with metal nipple (M10x1) and stem locking screw

Pieces per unit : 500

**cod. 041462 shiny black**

**cod. 041463 shiny white**

**cod. 041464 shiny gold**



DOME E27G NIP TPL BL

## E27, E26 LAMPHOLDERS

### E27 ONE-PIECE THERMOPLASTIC LAMPHOLDER


Rated current: 4A

Rated voltage: 250V

Rated temperature: T180°C - T210°C

Material: thermoplastic

Other colors available on demand

Approval: 

### ■ ONE-PIECE LAMPHOLDER WITH PLAIN OUTER SHELL

Fixing/connection : through holes for M4 screws or snap-on domes 100 series

Pieces per unit : 500

**cod. 019485 black T180°C**

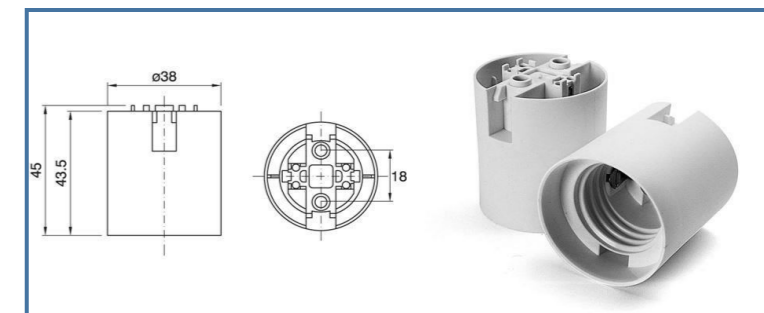
**cod. 019484 white T180°C**

**cod. 019489 black T210°C**

**cod. 019487 white T210°C**

**cod. 019490 gold T210°C**

80S/T180/BL/M/LHD/E27



### ■ ONE-PIECE LAMPHOLDER WITH THREADED OUTER SHELL

Fixing/connection : through holes for M4 screws or with snap-on domes 100 series

Pieces per unit : 500

**cod. 019492 black T180°C**

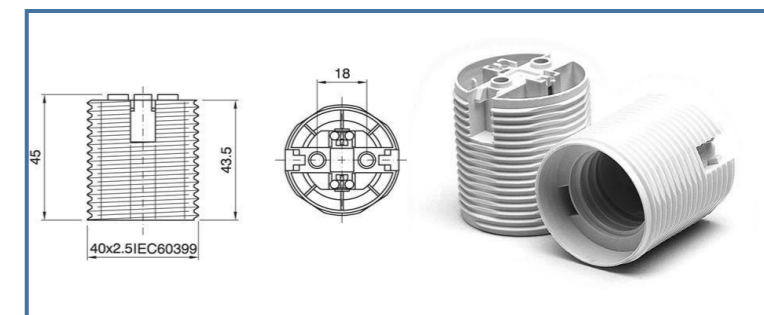
**cod. 019491 white T180°C**

**cod. 019496 black T210°C**

**cod. 019494 white T210°C**

**cod. 019497 gold T210°C**

81S/T180/BL/M/LHD/E27



### ■ ONE-PIECE LAMPHOLDER WITH PARTLY THREADED OUTER SHELL

Fixing/connection : through holes for M4 screws or snap-on domes 100 series

Pieces per unit : 500

**cod. 024081 black T180°C**

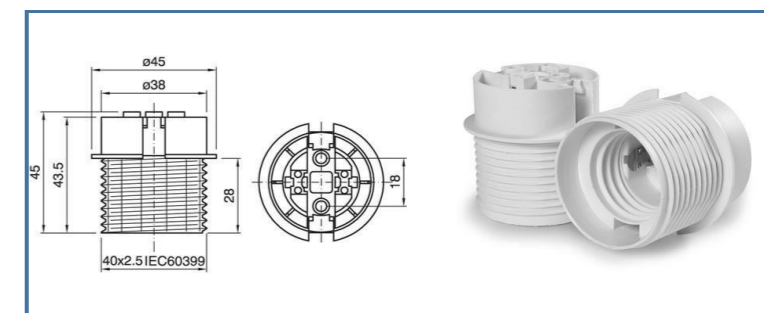
**cod. 024080 white T180°C**

**cod. 024084 black T210°C**

**cod. 024083 white T210°C**

**cod. 024085 gold T210°C**

82S/T180/BL/M/LHD/E27



## E27, E26 LAMPHOLDERS

## ONE-PIECE LAMPHOLDER WITH SHORT THREADED

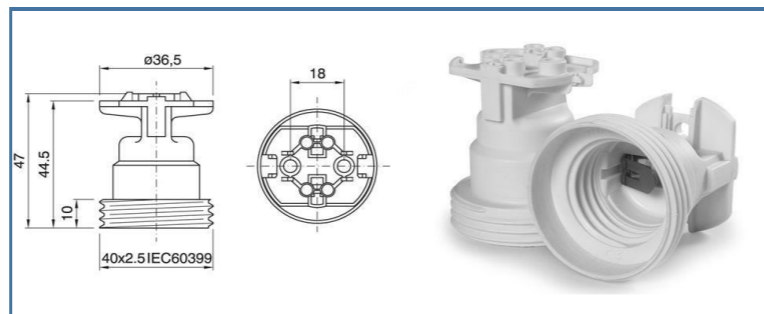
Fixing/connection : through holes for M4 screws or with snap-on domes 100 series

Pieces per unit : 500

**cod. 025240 black T210°C**

**cod. 025246 natural T210°C**

83F/T210/BL/M/LHD/E27



## ONE-PIECE LAMPHOLDER WITH PLASTIC SPRING BRACKET

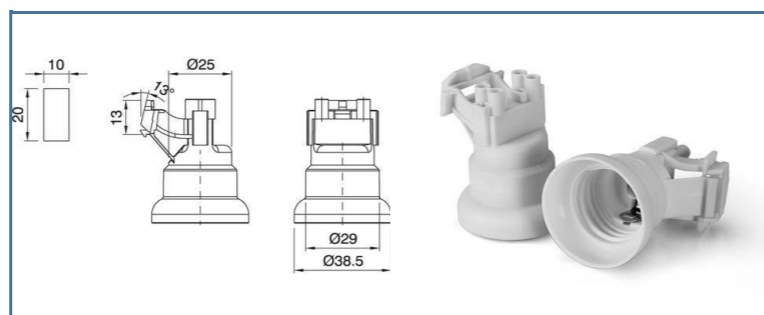
Fixing/connection : snap on type for 20x10 mm rectangular drilling pattern

Use/Application : lamp base thickness: 0.5 ÷ 1 mm, for rigid lamp base 0,9mm max

Pieces per unit : 500

**cod. 029826 natural T210°C std thickness**

84/T210/NATURAL/M/LHD/E27



## ONE-PIECE LAMPHOLDER WITH PLASTIC SPRING BRACKET FOR LAMP BASES WITH INCREASED THICKNESS

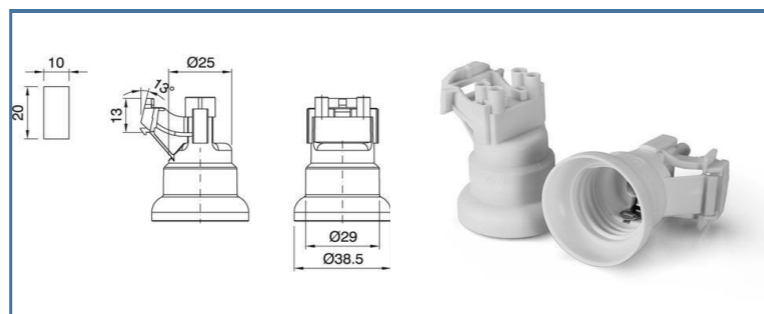
Fixing/connection : snap on type for 20x10 mm rectangular drilling pattern

Use/Application : lamp base thickness 0.8 ÷ 1,4 mm, for rigid lamp base 1,2 mm max

Pieces per unit : 500

**cod. 029828 natural T210°C increased thickness**

84SP/T210/NATURAL/M/LHD/E27



## E27, E26 LAMPHOLDERS

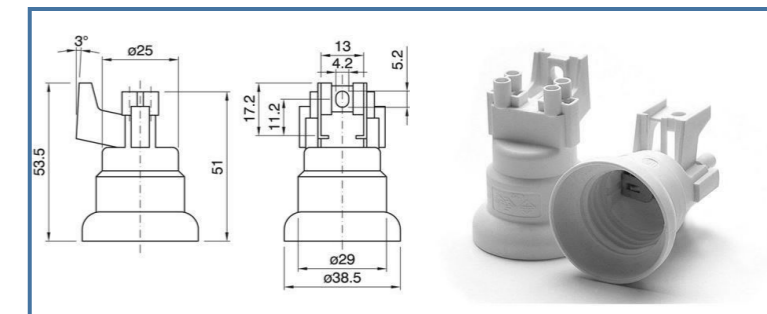
## ONE-PIECE LAMPHOLDER WITH PLASTIC BRACKET

Fixing/connection : with M4 screws

Pieces per unit : 500

**cod. 018946 natural T210°C**

86/T210/NATURAL/M/LHD/E27



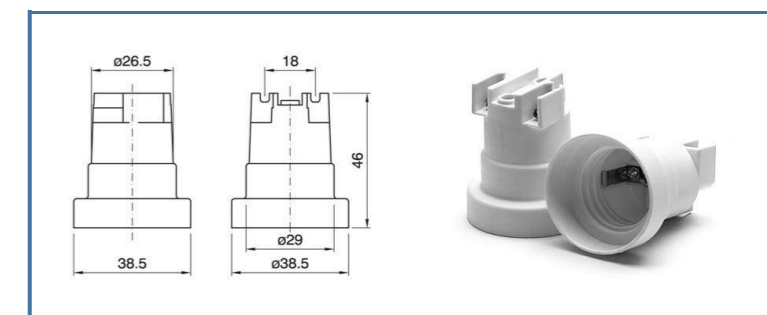
## ONE-PIECE LAMPHOLDER

Fixing/connection : through holes for M4 screw

Pieces per unit : 500

**cod. 018906 natural T210°C**

912/T210/NA/M/LHD/E27



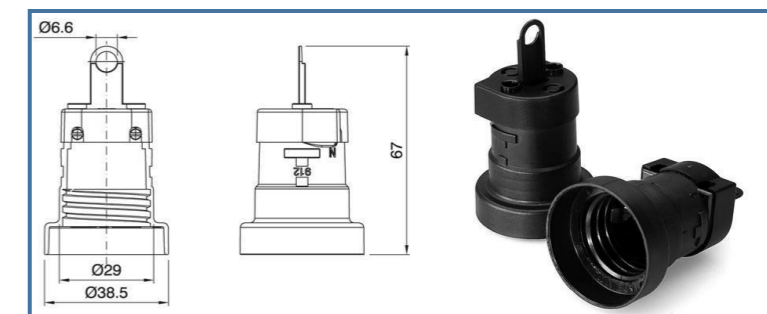
## ONE-PIECE LAMPHOLDER WITH DOME

Fixing/connection : through dome's hook

Pieces per unit : 250

**cod. 029582 black**

912/CP102/T210/BL/M/S50(250)/LHD/E27



## E27, E26 LAMPHOLDERS

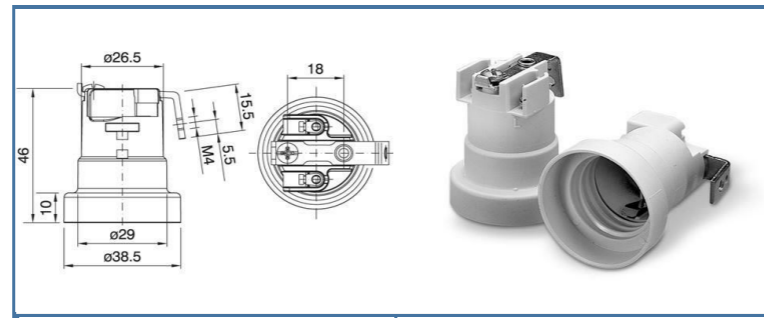
### ONE-PIECE LAMPHOLDER WITH METAL BRACKET AND EARTH SCREW

Fixing/connection : metal bracket with M4 threaded hole and earth screw

Pieces per unit : 500

**cod. 021552 natural T210°C**

912/SQ16F/VT/T210/NA/M/LHD/E27



### ONE-PIECE LAMPHOLDER

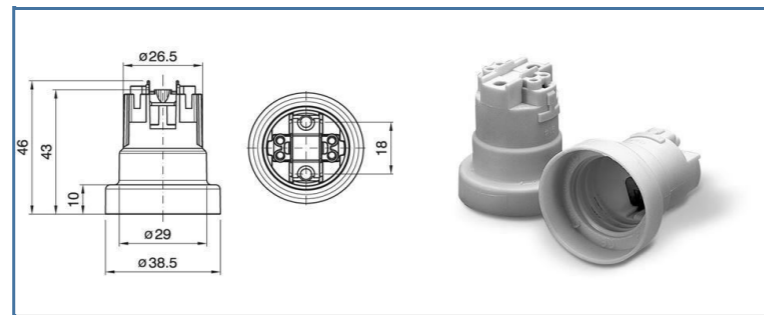
Fixing/connection : through holes for M4 screw

Pieces per unit : 500

**cod. 018905 natural T210°C**

**cod. 039687 natural T180°C**

914/T210/NA/M/LHD/E27



### ONE-PIECE LAMPHOLDER WITH METAL BRACKET AND EARTH SCREW

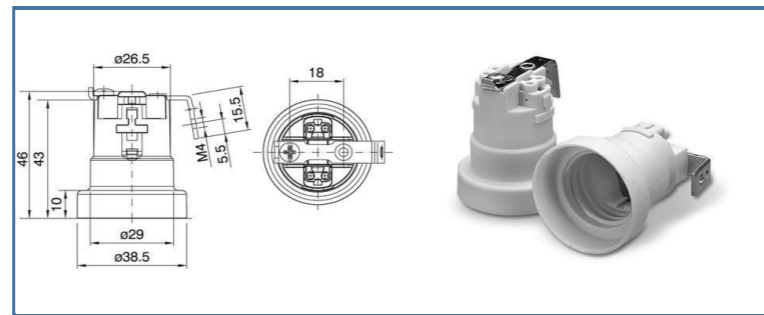
Fixing/connection : metal bracket with M4 threaded hole and earth screw

Pieces per unit : 500

**cod. 027378 natural T210°C**

**cod. 039688 natural T180°C**

914/SQ16F/VT/T210/NA/M/LHD/E27



## E27, E26 LAMPHOLDERS

### DOME FOR ONE-PIECE LAMPHOLDER

Fixing/connection : with metal nipple (M10x1) and stem locking screw

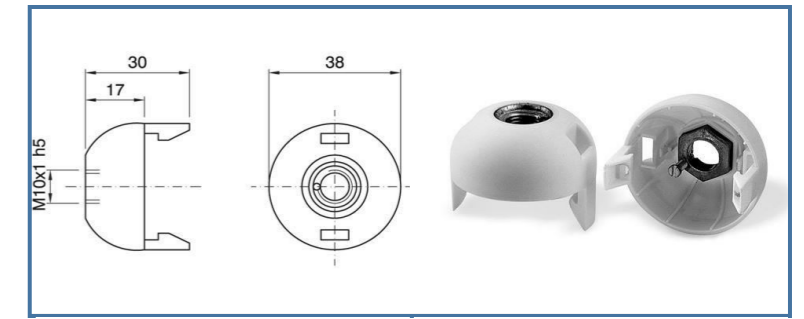
Pieces per unit : 500

**cod. 028236 black**

**cod. 028235 white**

**cod. 028237 gold**

DOME E27 ART.100 NIP BL



### DOME FOR ONE-PIECE LAMPHOLDER

Fixing/connection : with metal nipple (M10x1), stem locking screw and earth terminal

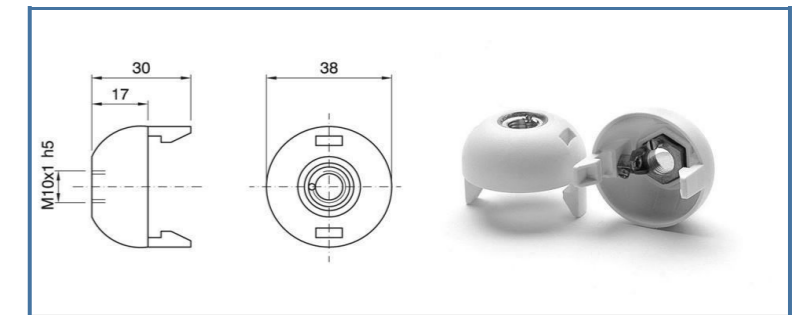
Pieces per unit : 500

**cod. 011296 black**

**cod. 011295 white**

**cod. 013028 gold**

DOME E27 ART.100 NIP-T BL



### DOME FOR ONE-PIECE LAMPHOLDER

Fixing/connection : with threaded entry (M10x1) with retainer

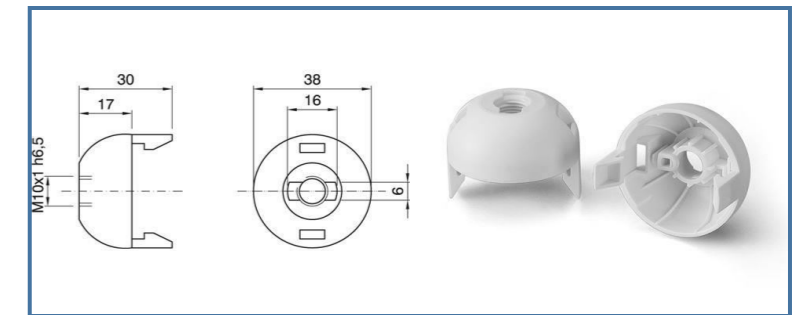
Pieces per unit : 500

**cod. 029699 black**

**cod. 029700 white**

**cod. 029698 gold**

DOME E27 ART.100 ASF BLACK (REINFORCED)

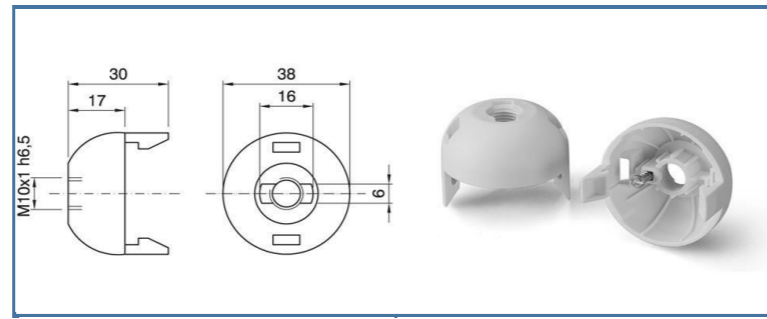


## E27, E26 LAMPHOLDERS

## DOME FOR ONE-PIECE LAMPHOLDER

Fixing/connection : threaded entry (M10x1) with retainer and stem locking screw

Pieces per unit : 500  
**cod. 029696 black**  
**cod. 029697 white**  
**cod. 029695 gold**

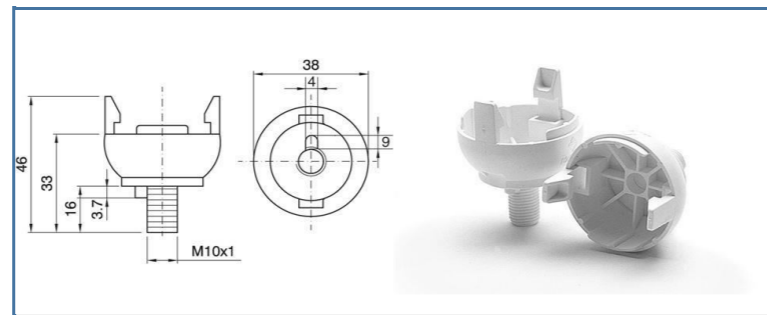


DOME E27 ART.100 ASFV BLACK (REINFORCED)

## DOME FOR ONE-PIECE LAMPHOLDER

Fixing/connection : with threaded stem (M10x1) and anti-rotating device for porcelain lamp bases

Pieces per unit : 500  
**cod. 015519 black**  
**cod. 015518 white**  
**cod. 015520 gold**

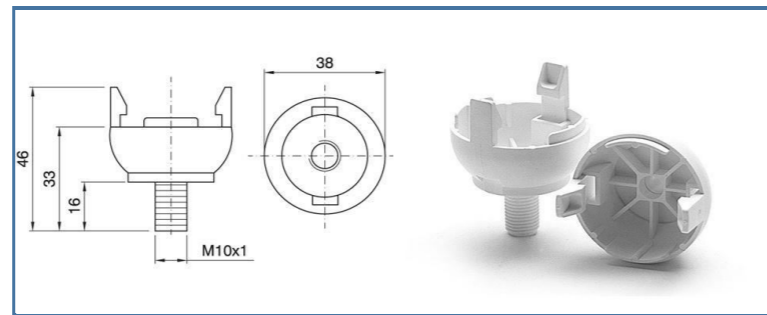


DOME E27 ART.100 BP BL

## DOME FOR ONE-PIECE LAMPHOLDER

Fixing/connection : with threaded stem (M10x1) for porcelain lamp bases

Pieces per unit : 500  
**cod. 022822 black**  
**cod. 018871 white**



DOME E27 ART.100 BPS BL

## E27, E26 LAMPHOLDERS

## DOME FOR ONE-PIECE LAMPHOLDER

Fixing/connection : on a wood lamp base

Use/Application : for flat cables H03VVH2-F 2x0.75 mm<sup>2</sup> with cord grips SDI27 cod. 023964

Pieces per unit : 500  
**cod. 029322 black**  
**cod. 029321 white**



DOME E27 ART.100 BL BL

## DOME FOR ONE-PIECE LAMPHOLDER

Use/Application : with cord-grip SDI27 cod. 023964 and SDIR27 cod. 027103

Pieces per unit : 500  
**cod. 038267 black**  
**cod. 038266 white**



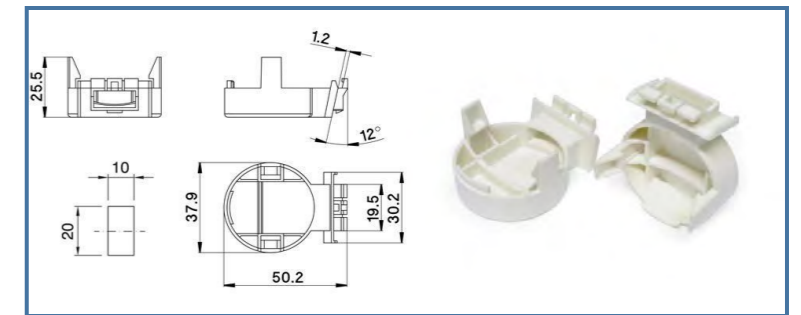
DOME E27 ART.100 SC BL

## DOME WITH PLASTIC BRACKET FOR ONE-PIECE LAMPHOLDER

Fixing/connection : snap on type for 20x10 mm rectangular drilling pattern

Use/Application : lamp base thickness: 0.5 ± 1 mm, for rigid lamp base 0,9mm max

Pieces per unit : 1000  
**cod. 400070 beige**



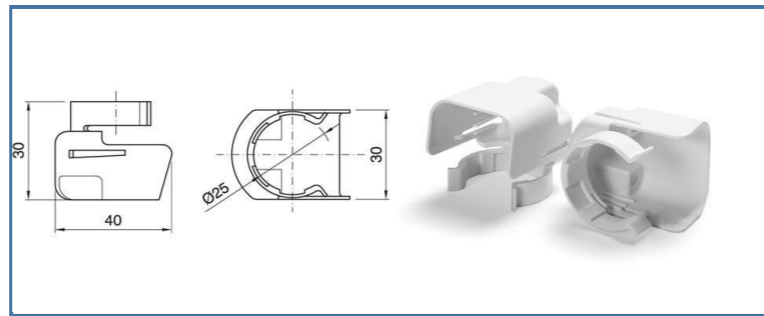
DOME E27 ART.102 TSC BEIGE

## E27, E26 LAMPHOLDERS

**DOME FOR ONE-PIECE LAMPHOLDER 83 SQ16VT, 84, 86, 87, 912, 914**

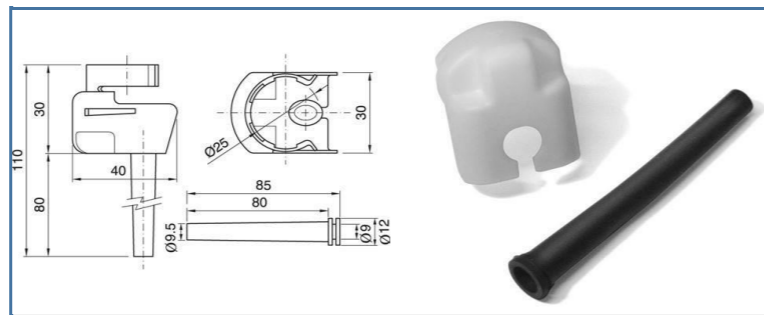
Fixing/connection : snap-on  
 Pieces per unit : 500  
**cod. 025051 natural**

DOME E27 ART.103 NATURAL

**DOME FOR ONE-PIECE LAMPHOLDER 83 SQ16VT, 84, 86, 87,,912, 914**

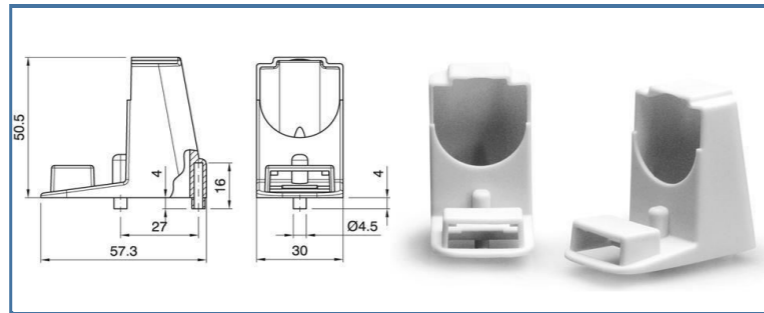
Fixing/connection : snap-on  
 Use/Application : with a suitable rubber sleeve (supplied separately on demand cod 026951)  
 Pieces per unit : 500  
**cod. 025052 natural**

DOME E27 ART.103F NATURAL

**SUPPORT DOME FOR ONE-PIECE LAMPHOLDER ITEM 911-911A**


Fixing/connection : with one or two self-threading screws  $\varnothing$  3,5 mm  
 Pieces per unit : 500  
**cod. 026923**

DOME E27 ART.104 NA



## E27, E26 LAMPHOLDERS

**E27 THREE-PIECE THERMOPLASTIC LAMPHOLDER WITH SWITCH**

Rated current: 2A  
 Rated voltage: 250V  
 Rated temperature: T 125°C  
 Material: thermoplastic  
 Other colors available on demand  
 Approval: 

**THERMOSETTING INSERT FOR THREE-PIECE LAMPHOLDER WITH SWITCH AND LOCKING DEVICE**

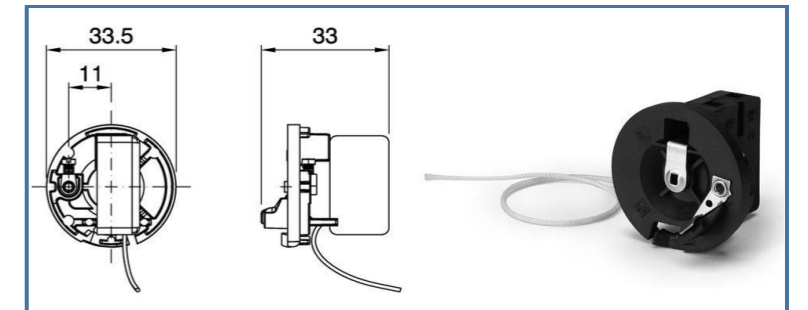
Terminals : screw type  
 Pieces per unit : 500  
**cod. 031807 black**  
**cod. 031808 white**

INSERT E27 ASSEMBL. W/LD NT I TP BL

**THERMOPLASTIC INSERT FOR THREE-PIECE LAMPHOLDER, WITH PULL-SWITCH 2 AND LOCKING DEVICE**

Terminals : screw type  
 Pieces per unit : 500  
**cod. 033273**

INSERT E27 FOR PULL SWITCH2 I

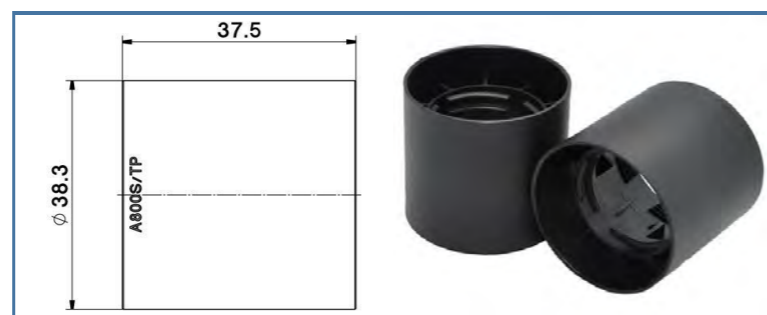


## E27, E26 LAMPHOLDERS

## PLAIN OUTER SHELL WITH REDUCED THICKNESS FOR THREE-PIECE LAMPHOLDER

Pieces per unit : 500  
**cod. 038234 black**  
**cod. 038233 white**  
**cod. 038235 gold**

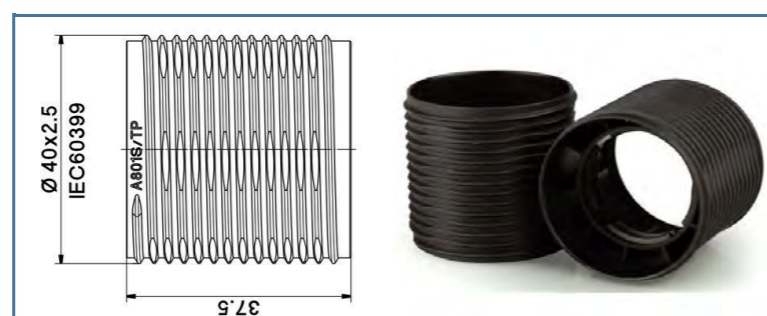
OUTER SHELL E27 A800S TP BL



## THREADED OUTER SHELL WITH REDUCED THICKNESS FOR THREE-PIECE LAMPHOLDER

Pieces per unit : 500  
**cod. 038237 black**  
**cod. 038236 white**  
**cod. 038238 gold**

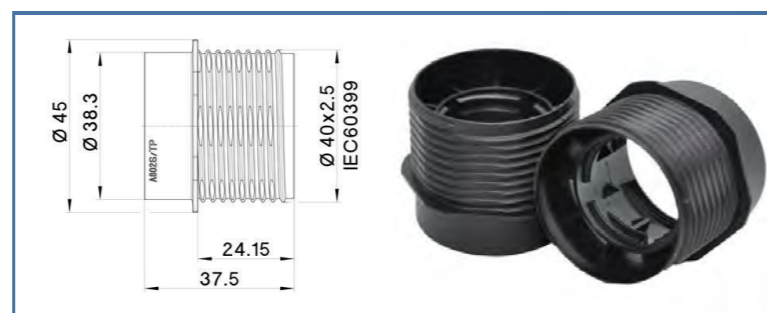
OUTER SHELL E27 A801S TP BL



## HALF THREADED OUTER SHELL WITH REDUCED THICKNESS FOR THREE-PIECE LAMPHOLDER

Pieces per unit : 500  
**cod. 040572 black**  
**cod. 040573 white**  
**cod. 040574 gold**

OUTER SHELL E27 A802S TP BL



## E27, E26 LAMPHOLDERS

## DOME FOR THREE-PIECE LAMPHOLDER WITH SWITCH

Fixing/connection : with metal nipple (M10x1) and stem locking screw  
 Pieces per unit : 500  
**cod. 031797 black**  
**cod. 031798 white**

DOME E27 I NIP TP BLACK



## DOME FOR THREE-PIECE LAMPHOLDER WITH PULL-SWITCH 2

Fixing/connection : with metal nipple (M10x1) and stem locking screw  
 Pieces per unit : 500  
**cod. 040641 black**  
**cod. 040507 white**

DOME E27 NIP BL X SWITCH 2C



# E27, E26 LAMPHOLDERS

## E27 THREE-PIECE PHENOLIC THERMOSETTING RESIN LAMPHOLDER

Rated current: 4A  
 Rated voltage: 250V  
 Rated temperature: T180°C  
 Material: thermosetting phenolic resin  
 Other colors available on demand

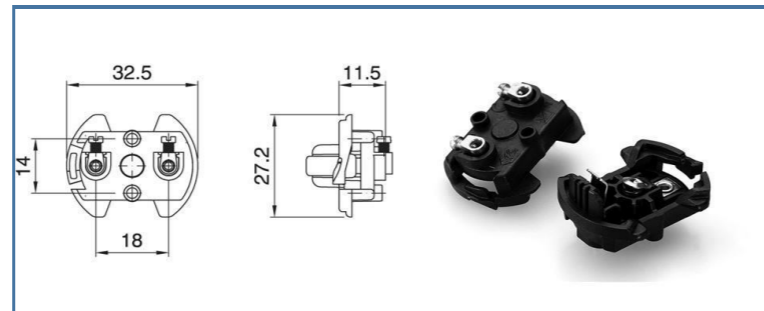
Approval: 



### THERMOPLASTIC INSERT FOR THREE-PIECE LAMPHOLDER WITH LOCKING DEVICE

Marking temperature : 180°C  
 Terminals : screw type  
 Pieces per unit : 500  
**cod. 040318 T 180°C**  
**cod. 029683 T 210°C**

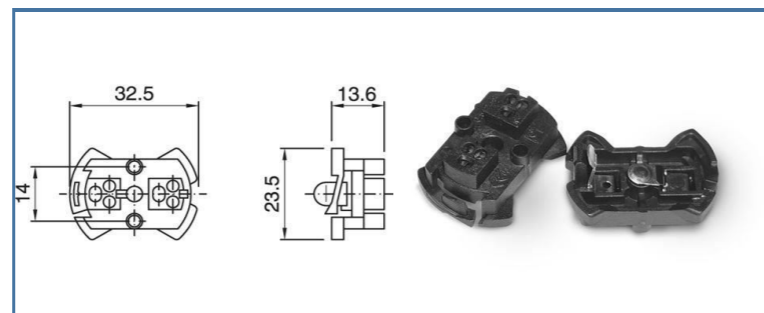
INSERT E27 T180 TPMV



### THERMOPLASTIC INSERT FOR THREE-PIECE LAMPHOLDER WITH LOCKING DEVICE

Marking temperature : 180°C  
 Terminals : spring type  
 Pieces per unit : 500  
**cod. 040317 T 180°C**  
**cod. 020225 T 210°C**

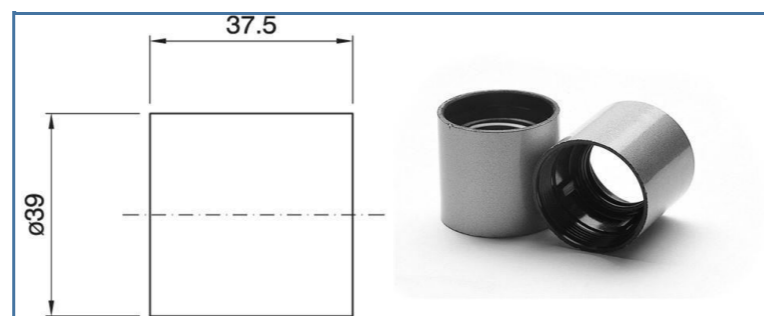
INSERT E27 T180 TPMA



### PLAIN OUTER SHELL FOR THREE-PIECE LAMPHOLDER

Pieces per unit : 500  
**cod. 040548 black**  
**cod. 007293 white**  
**cod. 007286 gold**

OUTER SHELL E27 A800 CI BL (NY)

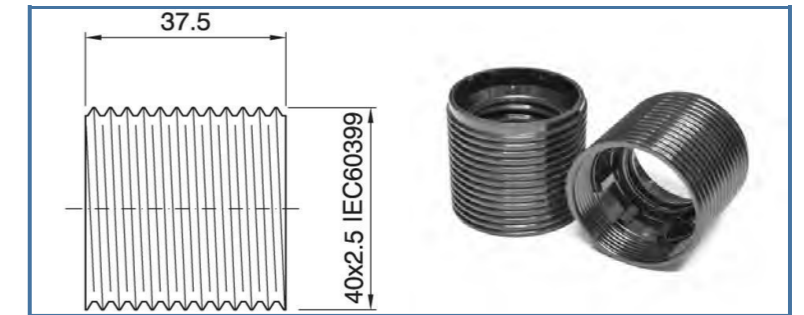


# E27, E26 LAMPHOLDERS

### THREADED OUTER SHELL FOR THREE-PIECE LAMPHOLDER

Pieces per unit : 500  
**cod. 040818 black**  
**cod. 007272 white**  
**cod. 007250 gold**

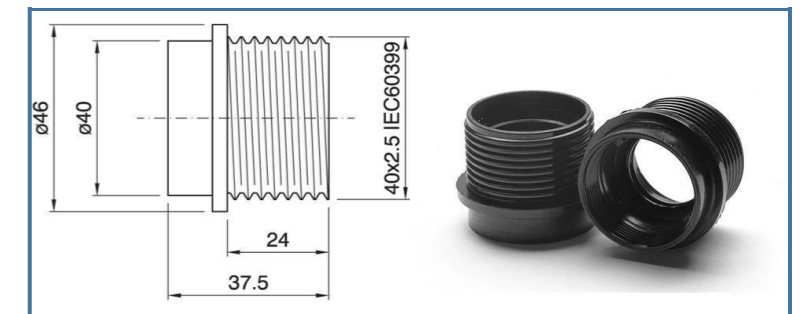
OUTER-SHELL E27 A801 CI BLACK



### PARTY THREADED OUTER SHELL FOR THREE-PIECE LAMPHOLDER

Pieces per unit : 500  
**cod. 040819 black**  
**cod. 007271 white**  
**cod. 007292 gold**

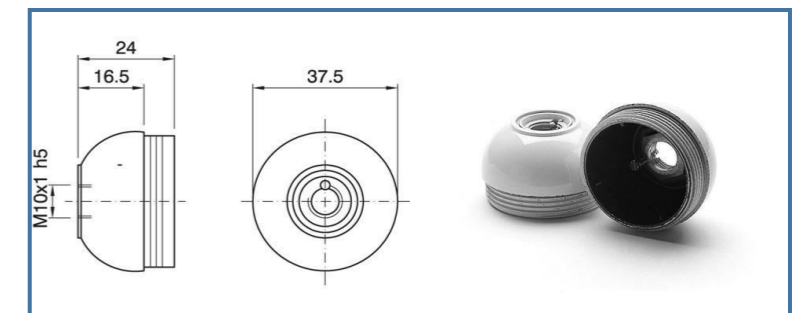
OUTER-SHELL E27 A802 CI BLACK



### DOME FOR THREE-PIECE LAMPHOLDER

Fixing/connection : with metal nipple (M10x1) and stem locking screw  
 Pieces per unit : 500  
**cod. 001246 black**  
**cod. 001247 white**  
**cod. 001249 gold**

DOME E27 NIP BLACK



## E27, E26 LAMPHOLDERS

## DOME FOR THREE-PIECE LAMPHOLDER

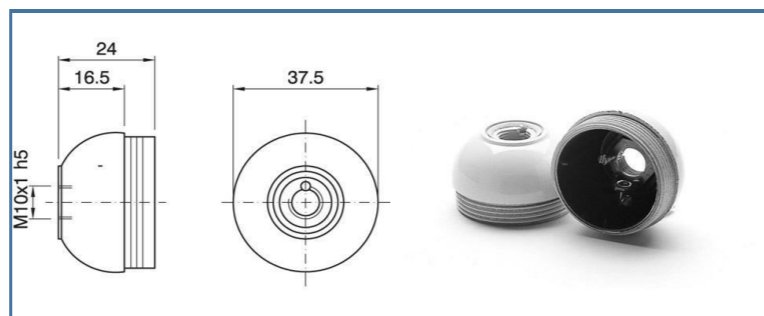
Fixing/connection : with metal nipple (M10x1), stem locking screw and earth terminal

Pieces per unit : 500

**cod. 026622 black**

**cod. 026621 white**

**cod. 026623 gold**



DOME E27 T 2POS BLACK

## DOME FOR THREE-PIECE LAMPHOLDER

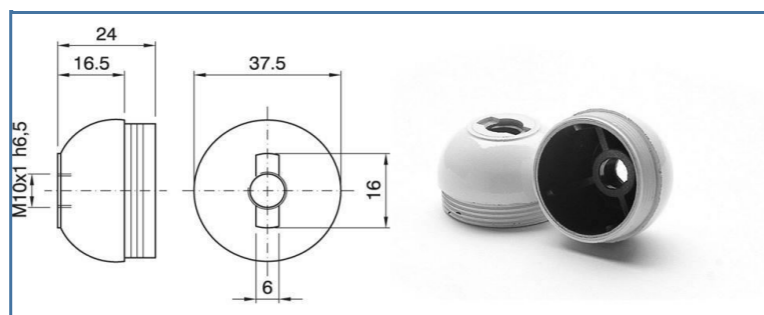
Fixing/connection : with threaded entry (M10x1) with retainer

Pieces per unit : 500

**cod. 040549 black**

**cod. 001267 white**

**cod. 001269 gold**



DOME E27 ASF BLACK

## E27, E26 LAMPHOLDERS

## E27 PHENOLIC THERMOSETTING RESIN LAMPHOLDER WITH TOGGLE SWITCH


Rated current: 2A

Rated voltage: 250V

Rated temperature: T 125°C

Material: thermosetting phenolic resin

Other colors available on demand

Approval: 



## THERMOSETTING INSERT FOR THREE-PIECE LAMPHOLDER WITH SWITCH AND LOCKING DEVICE

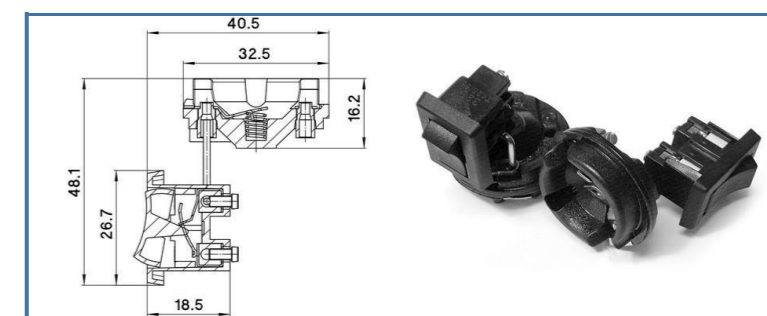
Terminals : screw type

Pieces per unit : 500

**cod. 011327 black**

**cod. 011326 white**

**cod. 011517 gold**



INSERT E27 ASSEMBL. W/LD NT I BL

## PLAIN OUTER SHELL FOR THREE-PIECE LAMPHOLDER

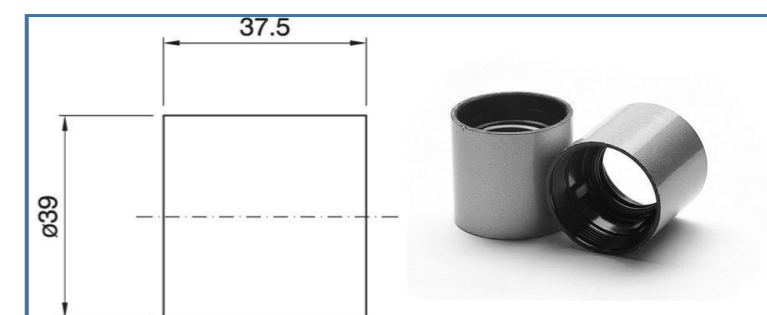
Pieces per unit : 500

**cod. 040548 black**

**cod. 007293 white**

**cod. 007286 gold**

OUTER SHELL E27 A800 CI BL (NY)



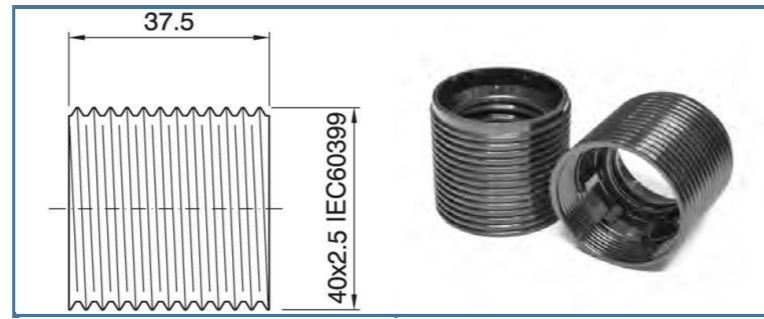


## E27, E26 LAMPHOLDERS

## THREADED OUTER SHELL FOR THREE-PIECE LAMPHOLDER

Pieces per unit : 500  
**cod. 040818 black**  
**cod. 007272 white**  
**cod. 007250 gold**

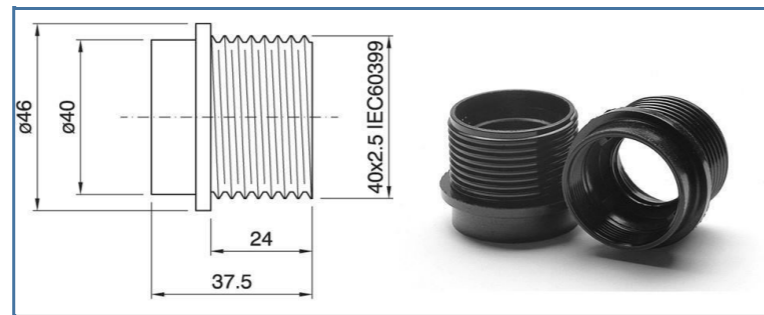
OUTER-SHELL E27 A801 CI BLACK



## PARTY THREADED OUTER SHELL FOR THREE-PIECE LAMPHOLDER

Pieces per unit : 500  
**cod. 040819 black**  
**cod. 007271 white**  
**cod. 007292 gold**

OUTER-SHELL E27 A802 CI BLACK



## DOME FOR THREE-PIECE LAMPHOLDER WITH SWITCH

Fixing/connection : with metal nipple (M10x1) and stem locking screw

Pieces per unit : 500  
**cod. 011125 black**  
**cod. 011318 white**  
**cod. 011516 gold**

DOME E27 I NIP BLACK



## E27, E26 LAMPHOLDERS

## E27 THREE-PIECE METAL LAMPHOLDER

Rated current: 4A  
 Rated voltage: 250V  
 Rated temperature: T230°C  
 Other treatments available on demand

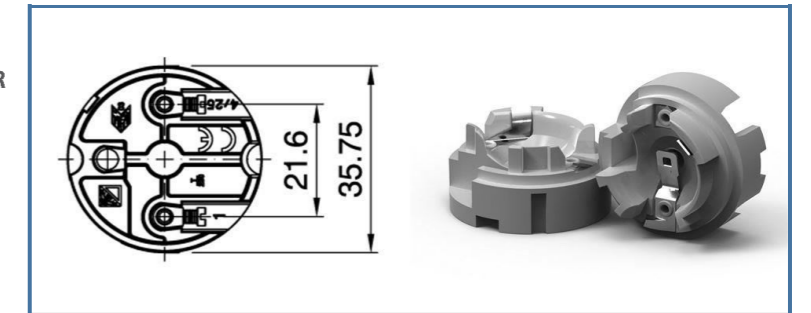
Approval: 



## INSERT IN PPS FOR THREE-PIECE METAL LAMPHOLDER WITH LOCKING DEVICE

Marking temperature : 230°C  
 Terminals : screw type  
 Pieces per unit : 500  
**cod. 033786**

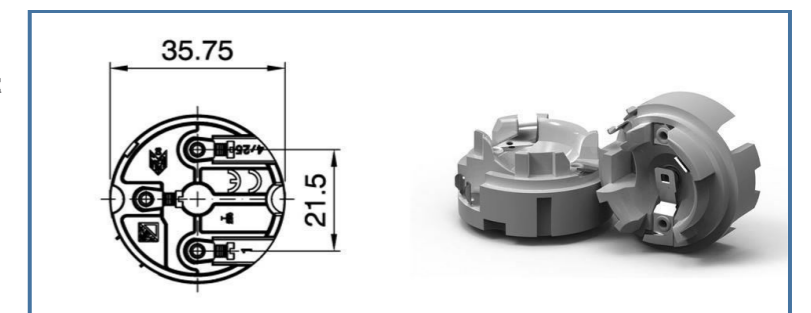
INSERT E27 T230 PPS M LHD MET



## INSERT IN PPS FOR THREE-PIECE METAL LAMPHOLDER WITH LOCKING DEVICE AND EARTH TERMINAL

Marking temperature : 230°C  
 Terminals : screw type  
 Pieces per unit : 500  
**cod. 033787**

INSERT E27 FT T230 PPS M LHD MET

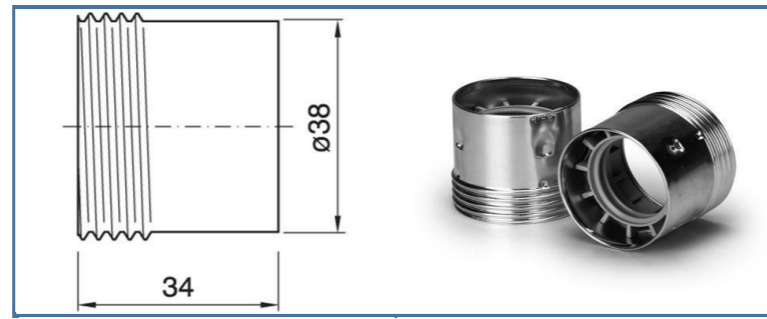


## E27, E26 LAMPHOLDERS

## PLAIN OUTER SHELL FOR THREE-PIECE METAL LAMPHOLDER

Pieces per unit : 500  
**cod. 033994 brass plated**  
**cod. 033995 white zinc plated**  
**cod. 040328 copper plated**  
**cod. 035585 nikel plated**

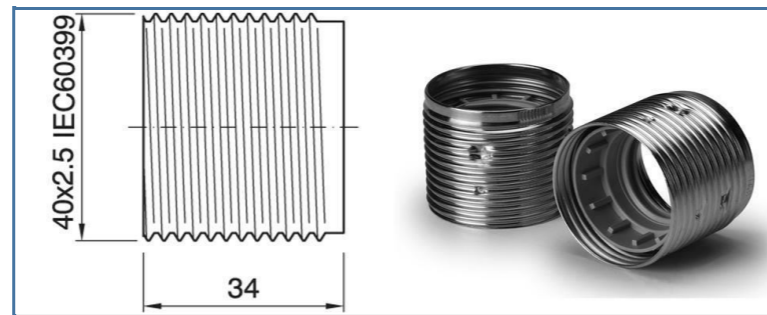
PLAIN OUTER SHELL E27 890 PPS BRASS PLATED



## THREADED OUTER SHELL FOR THREE-PIECE METAL LAMPHOLDER

Pieces per unit : 500  
**cod. 033996 brass plated**  
**cod. 033997 white zinc plated**  
**cod. 035918 copper plated**  
**cod. 035363 nikel plated**  
**cod. 037321 gunmetal**

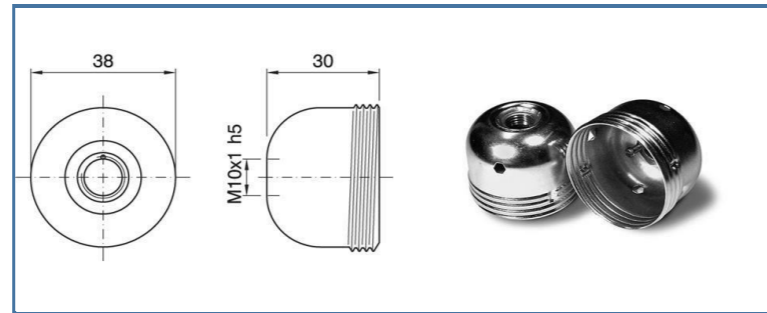
THREADED OUTER SHELL E27 891 PPS BRASS PLATED



## ROUND DOME FOR THREE-PIECE METAL LAMPHOLDER

Fixing/connection : with metal nipple (M10x1) and stem locking screw  
 Pieces per unit : 500  
**cod. 027063 brass plated**  
**cod. 027570 nickel plated**  
**cod. 035919 copper plated**  
**cod. 028769 gunmetal**  
**cod. 027064 white zinc plated**

DOME E27 MET NIP BRASS PLATED

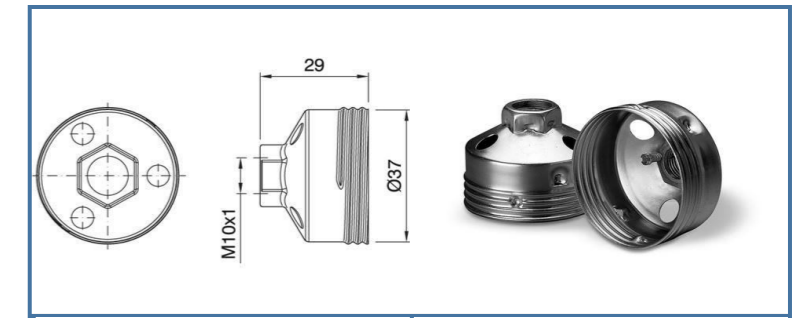


## E27, E26 LAMPHOLDERS

## CONIC DOME FOR THREE-PIECE METAL LAMPHOLDER

Fixing/connection : with metal nipple (M10x1) and stem locking screw  
 Pieces per unit : 500  
**cod. 028177 brass plated**  
**cod. 028176 white zinc plated**

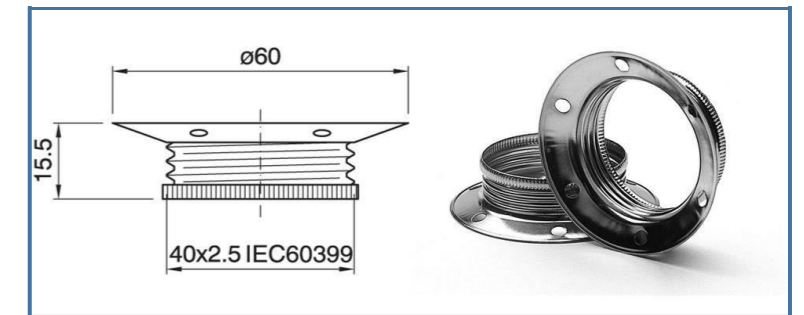
DOME E27 MET ECO NIP/C BRASS-PLATED



## SHADE RING FOR METAL LAMPHOLDER

Pieces per unit : 500  
**cod. 011489 brass plated**  
**cod. 011841 white zinc plated**  
**cod. 021418 nickel plated**  
**cod. 035920 copper plated**  
**cod. 028765 gunmetal**

SHADE RING E27 ART.2718 MET BRASS PLATED



# E27, E26 LAMPHOLDERS

## E27 PORCELAIN LAMPHOLDER

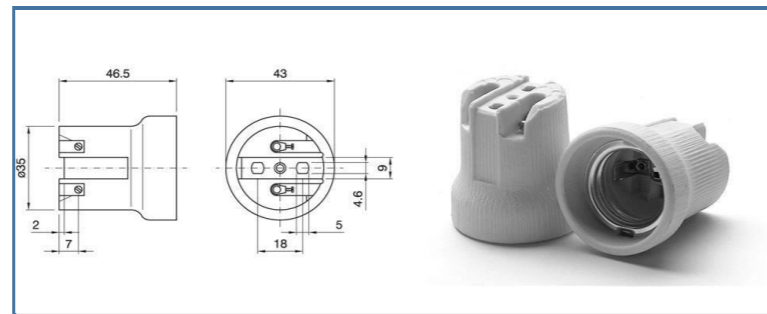
Rated current: 4A  
 Rated voltage: 500V  
 Rated temperature: T270°C  
 Material: porcelain  
 Other fixing brackets on demand

Approval: 

### ONE-PIECE LAMPHOLDER

Fixing/connection : through holes for M4 screw  
 Pieces per unit : 200  
**cod. 027189**

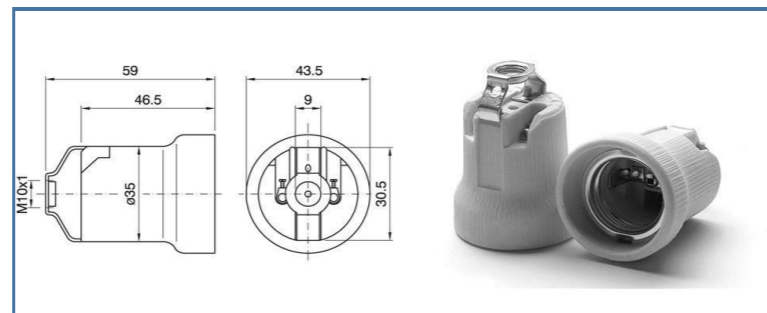
90/M/LHD/E27/S200



### ONE-PIECE LAMPHOLDER WITH METAL BRACKET

Fixing/connection : with metal bracket with threaded through hole M10x1  
 Pieces per unit : 150  
**cod. 021279 std**  
**cod. 021280 with grounding clamp**

90/SQ22/M/LHD/E27



# E27, E26 LAMPHOLDERS

## E26 THREE-PIECE THERMOPLASTIC LAMPHOLDER

Rated power: 660W  
 Rated voltage: 250V  
 Rated temperature: T150°C  
 Material: thermoplastic  
 Other colors available on demand

Approval: 

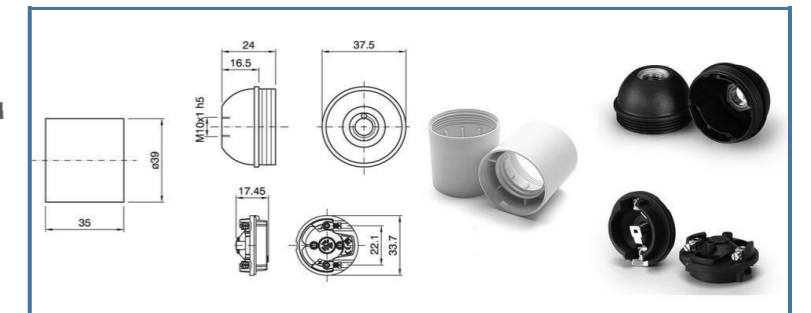


### E26 LAMPHOLDER DISASSEMBLED INTO THREE PIECES: INSERT WITH LOCKING DEVICE, PLAIN OUTER SHELL, DOME WITH METAL NIPPLE (M10X1) AND STEM LOCKING SCREW

Fixing/connection : with metal nipple (M10x1) and stem locking screw

Pieces per unit : 250  
**cod. 031596 black**

A800TP/TP/NIP-TP/BL/SM/S250/LHD/E26

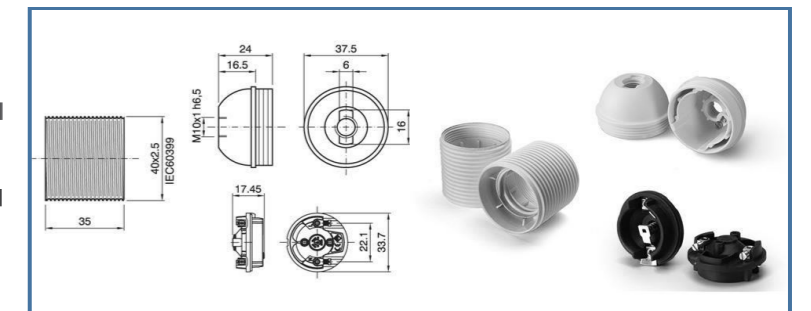


### E26 LAMPHOLDER DISASSEMBLED INTO THREE PIECES, INSERT WITH LOCKING DEVICE, THREADED OUTER SHELL, DOME THREADED ENTRY (M10X1) WITH RETAINER AND STEM LOCKING SCREW

Fixing/connection : threaded entry (M10x1) with retainer and stem locking screw

Pieces per unit : 250  
**cod. 033603 white**

A801TP/TP/ASFV-TP/WH/SM/S250/LHD/E26

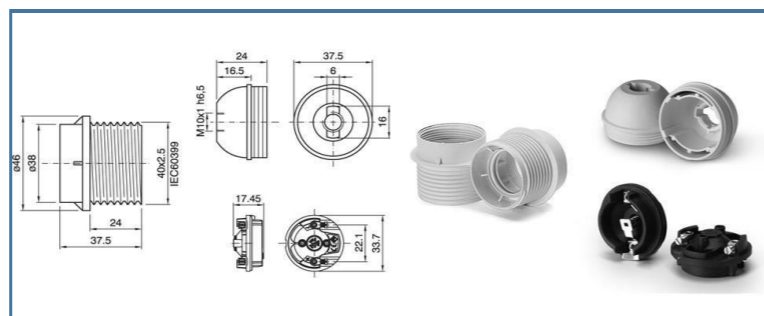


## E27, E26 LAMPHOLDERS

**E26 LAMPHOLDER DISASSEMBLED INTO THREE PIECES, INSERT WITH LOCKING DEVICE, PARTLY THREADED OUTERSHELL, DOME WITH Ø 10.5 MM HOLE AND LOCKING DEVICE NOTCH PASS-THROUGH**

Fixing/connection : with Ø 10.5 mm hole and locking device notch pass-through  
**cod. 034574 black**

A802TP/TP/ASS-TP/BL/SM/S250/LHD/E26



## E27, E26 LAMPHOLDERS

### E26 ONE-PIECE THERMOPLASTIC LAMPHOLDER

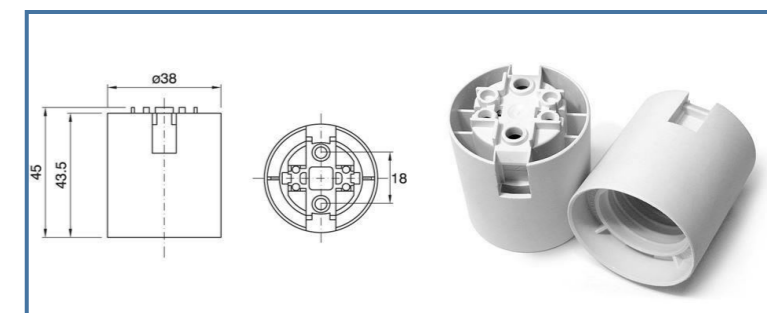
Rated power: 660W  
Rated voltage: 250V  
Rated temperature: T150°C  
Material: thermoplastic  
Other colors available on demand

Approval: **CE** **UL** **US**

### ONE-PIECE THERMOPLASTIC LAMPHOLDER WITH PLAIN OUTER SHELL

Terminals : spring type  
Fixing/connection : through holes for M4 screws or with snap-on domes  
Pieces per unit : 500  
**cod. 023999 black**  
**cod. 023998 white**

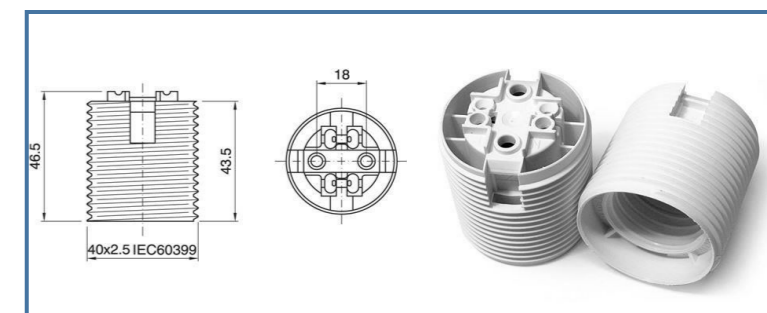
80/T150/BL/M/LHD/E26



### ONE-PIECE THERMOPLASTIC LAMPHOLDER WITH THREADED OUTER SHELL

Terminals : spring type  
Fixing/connection : through holes for M4 screws or with snap-on domes  
Pieces per unit : 500  
**cod. 024072 black**  
**cod. 024071 white**

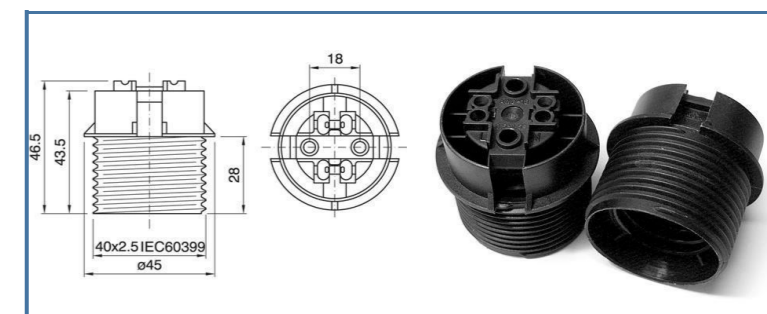
81/T150/BL/M/LHD/E26



### ONE-PIECE THERMOPLASTIC LAMPHOLDER WITH PARTLY THREADED OUTER SHELL

Terminals : spring type  
Fixing/connection : through holes for M4 screws or with snap-on domes  
Pieces per unit : 500  
**cod. 024075 black**  
**cod. 024074 white**

82/T150/BL/M/LHD/E26



## E27, E26 LAMPHOLDERS

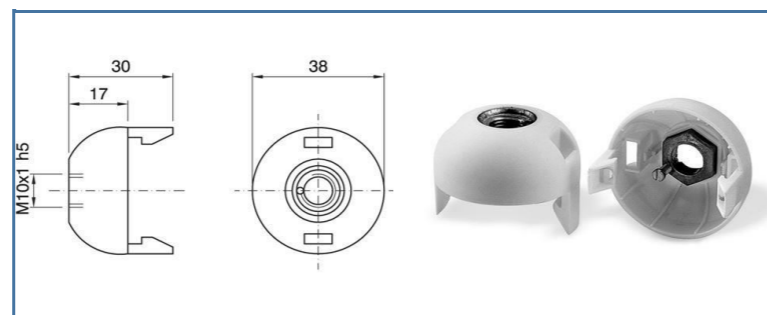
## DOME FOR ONE-PIECE LAMPHOLDER

Fixing/connection : with metal nipple (M10x1) and stem locking screw

Pieces per unit : 500

**cod. 028236 black**

**cod. 028235 white**



DOM E27 ART.100 NIP BL

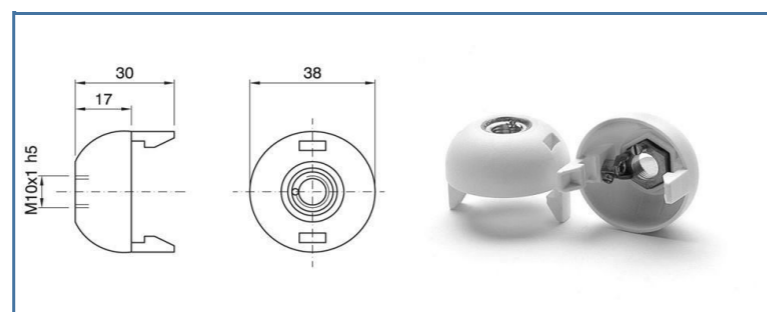
## DOME FOR ONE-PIECE LAMPHOLDER

Fixing/connection : with metal nipple (M10x1), stem locking screw and earth terminal

Pieces per unit : 500

**cod. 011296 black**

**cod. 011295 white**



DOM E27 ART.100 NIP-T BL

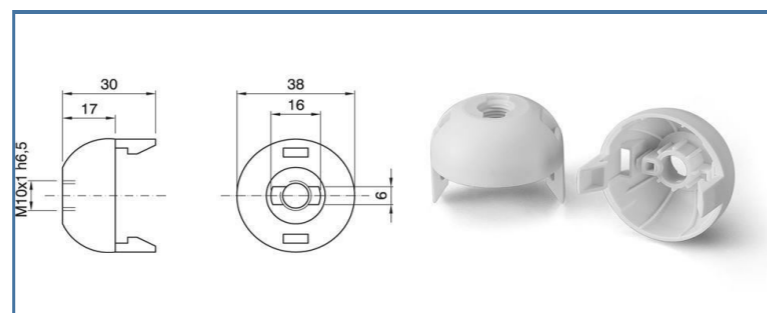
## DOME FOR ONE-PIECE LAMPHOLDER

Fixing/connection : with threaded entry (M10x1) with retainer

Pieces per unit : 500

**cod. 029699 black**

**cod. 029700 white**



DOM E27 ART.100 ASF BLACK (REINFORCED)

## E27, E26 LAMPHOLDERS

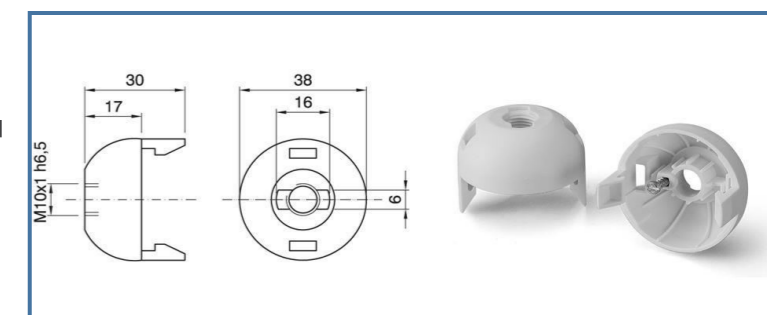
## DOME FOR ONE-PIECE LAMPHOLDER

Fixing/connection : threaded entry (M10x1) with retainer and stem locking screw

Pieces per unit : 500

**cod. 029696 black**

**cod. 029697 white**



DOM E27 ART.100 ASFV BLACK (REINFORCED)

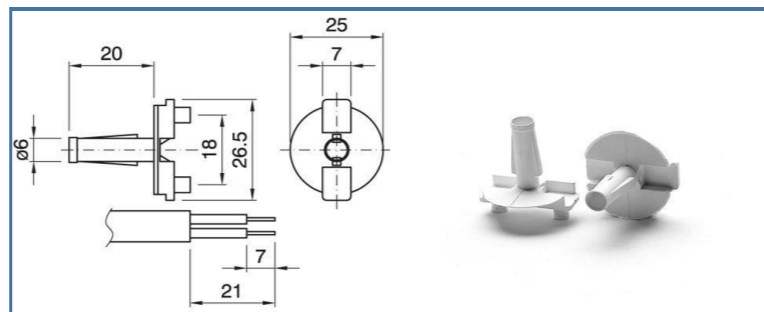
## E27, E26 LAMPHOLDERS

## ACCESSORIES E27, E26

**CLOSED CORD GRIP/INSULATOR FOR E27 ONE-PIECE LAMPHOLDER, USED FOR CLASS II APPLICATION, SPECIFIC FOR METAL TUBE WITH INTERNAL Ø 6.5÷6.8 MM**

Use/Application : with flat cable H03VVH2-F 2x 0.5-0,75 mm<sup>2</sup>  
Pieces per unit : 5000  
**cod. 023964 natural**

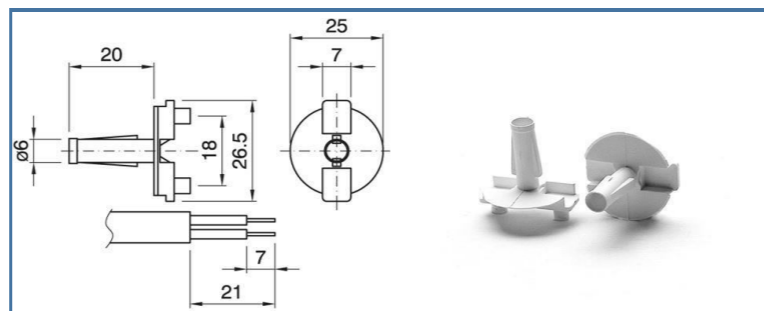
SDI27 NATURAL



**CLOSED CORD GRIP/INSULATOR FOR E27 ONE-PIECE LAMPHOLDER, USED FOR CLASS II APPLICATION, SPECIFIC FOR INCREASED METAL TUBE INTERNAL Ø 6,9÷7,3 MM**

Use/Application : with flat cable H03VVH2-F 2x 0.5-0,75 mm<sup>2</sup>  
Pieces per unit : 5000  
**cod. 023078 beige**

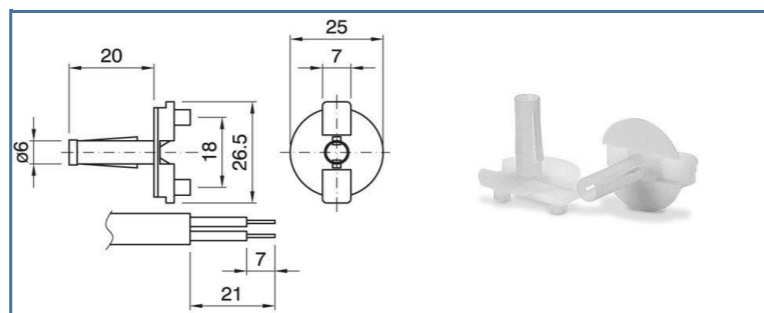
SDI27/1 INSULATOR BEIGE



**CLOSED CORD GRIP/INSULATOR FOR E27 ONE-PIECE LAMPHOLDER, USED FOR CLASS II APPLICATION, SPECIFIC FOR METAL TUBE WITH INTERNAL Ø 6.5÷6.8 MM**

Use/Application : with round cable H03VV-F 2x0,75 mm<sup>2</sup>  
Pieces per unit : 5000  
**cod. 027103 natural**

SDIR27 NA CORD GRIP

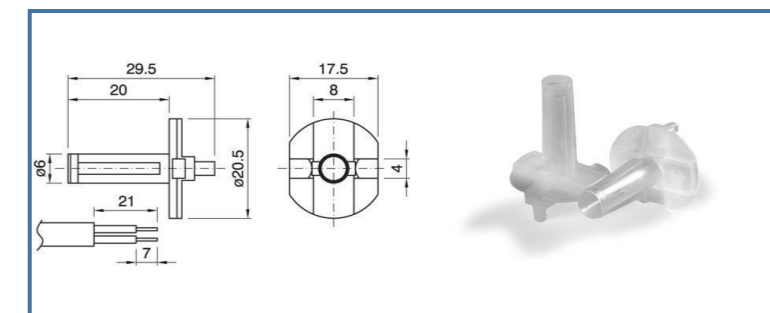


## E27, E26 LAMPHOLDERS

**CLOSED CORD GRIP/INSULATOR FOR THREE-PIECE LAMPHOLDER, USED FOR CLASS II APPLICATION, SPECIFIC FOR METAL TUBE WITH INTERNAL Ø 6.5÷6.8 MM**

Use/Application : with flat cable H03VVH2-F 2x0,75 mm<sup>2</sup>  
Pieces per unit : 10000  
**cod. 024876**

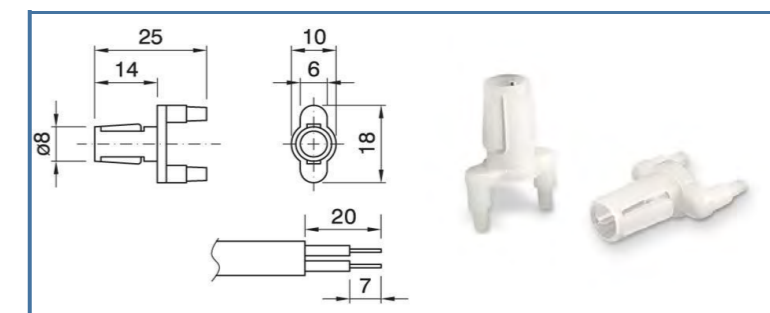
SDI X INSERT TP E27



**CORD GRIP FOR THREE-PIECE LAMPHOLDER**

Use/Application : with round cable H03VV-F 2X0,75 mm<sup>2</sup>  
Pieces per unit : 10000  
**cod. 017814 natural**

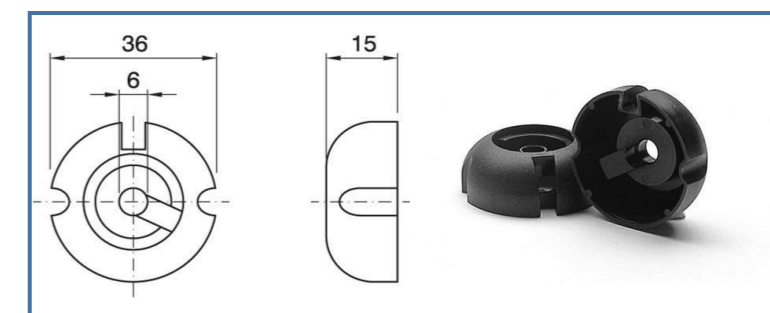
SCPN NA CORD GRIP



**CLOSED INSULATOR FOR METAL ROUND DOME**

Pieces per unit : 500  
**cod. 015026**

ISM-27 INSULATOR X DOME LHD MET



## E27, E26 LAMPHOLDERS

## SHADE RING FOR THREADED LAMPHOLDER

Pieces per unit : 500  
**cod. 011095 black**  
**cod. 011094 white**  
**cod. 026476 white painted**  
**cod. 013234 gold**  
**cod. 026477 gold painted**

SHADE RING E27 ART.272 BL



## SHADE RING FOR THREADED LAMPHOLDER

Pieces per unit : 500  
**cod. 011091 black**  
**cod. 012607 white**  
**cod. 026478 white painted**  
**cod. 026479 gold painted**  
**cod. 012608 gold**

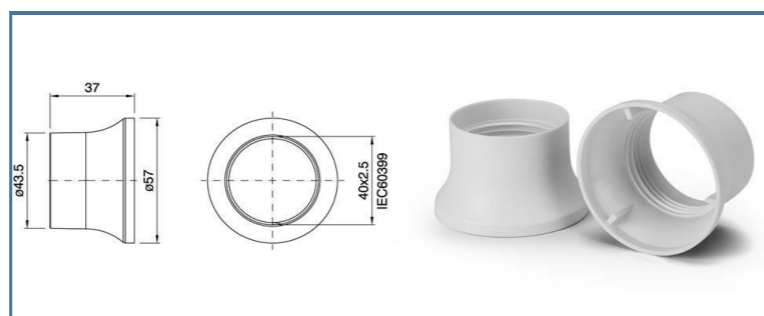
SHADE RING E27 ART.273 BL



## SHADE RING FOR THREADED LAMPHOLDER

Pieces per unit : 250  
**cod. 031822 black**  
**cod. 031823 white**

SHADE RING E27 ART.276 BL



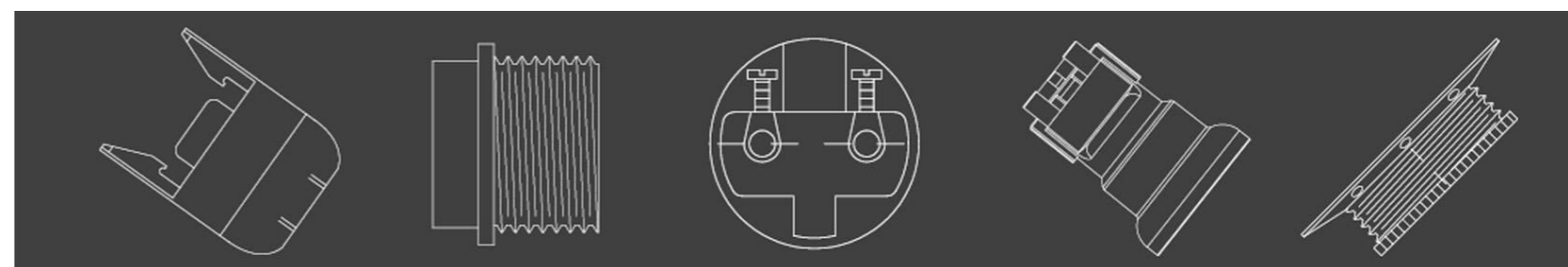
## SPOT LIGHT

E27 and GZ10 Spot light

S14d Spot light

77

79



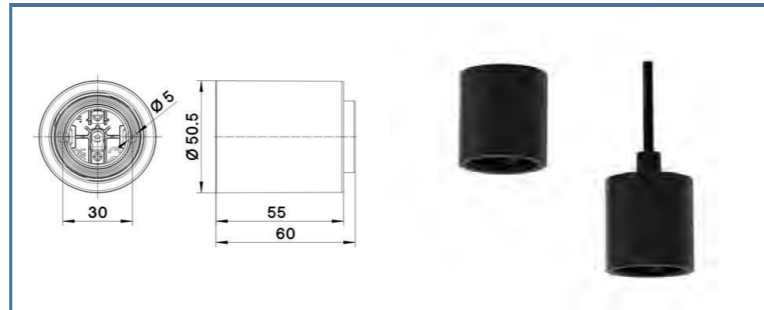
# SPOT LIGHT

## E27 AND GZ10 SPOT LIGHT

### E27 SPOT LIGHT WITH STRAIGHT BASE SUITABLE FOR CLASS II APPLICATIONS, COMPLETE WITH GASKETS

Fixing/connection : ceiling, wall or suspended  
**cod. 042581 black**  
**cod. 042582 white**

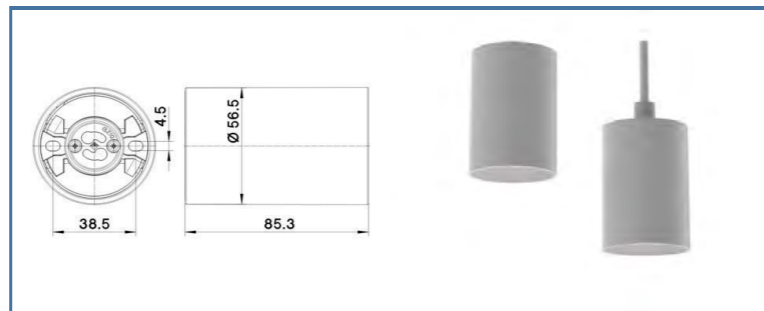
SPOT LIGHT E27 PL3 STRAIGHT BLACK IP44



### GZ10 SPOTLIGHT WITH STRAIGHT BASE SUITABLE FOR CLASS II APPLICATIONS

Fixing/connection : ceiling, wall or suspended  
**cod. 042578 white**  
**cod. 042577 black**

SPOT LIGHT GZ10 ART.PL4 BASE STRAIGHT WHITE IP20



### E27 SPOT LIGHT WITH STRAIGHT BASE ASSEMBLED WITH ONE-PIECE LAMPHOLDER 914CP

Fixing/connection : ceiling/wall use by holes  $\varnothing 5.2$  mm with wheelbase screw 66mm  
 Pieces per unit : 200  
**cod. 033805 black**  
**cod. 033804 white**

SPOT LIGHT E27 ART. PL0 BASE STRAIGHT BLACK

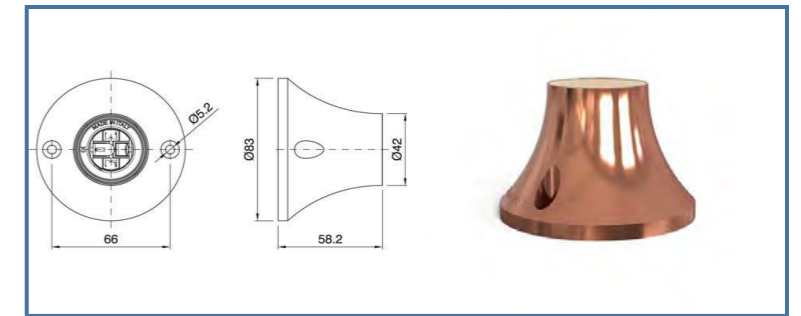


# SPOT LIGHT

### E27 SPOT LIGHT WITH STRAIGHT BASE ASSEMBLED WITH ONE-PIECE LAMPHOLDER 914CP

Fixing/connection : ceiling/wall use by holes  $\varnothing 5.2$  mm with wheelbase screw 66mm  
 Pieces per unit : 50  
**cod. 041761 copper plated**  
**cod. 041762 chrome plated**  
**cod. 041763 gold plated**

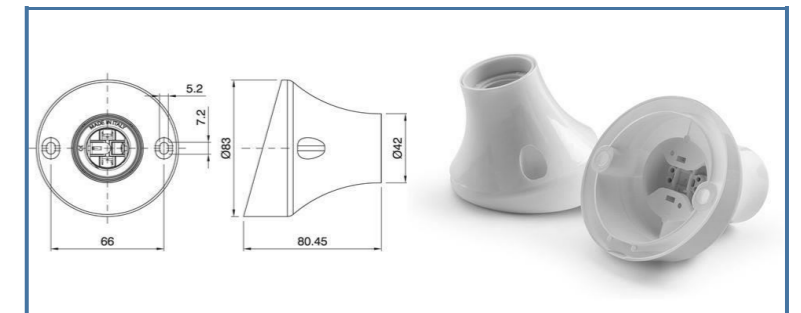
SPOT LIGHT E27 PL0 STRAIGHT COPPER PLATED



### E27 SPOT LIGHT WITH INCLINED BASE ASSEMBLED WITH ONE-PIECE LAMPHOLDER 914CP

Fixing/connection : wall use by holes  $\varnothing 5.2$  mm with wheelbase screw 66mm  
 Pieces per unit : 200  
**cod. 033801 white**  
**cod. 033802 black**

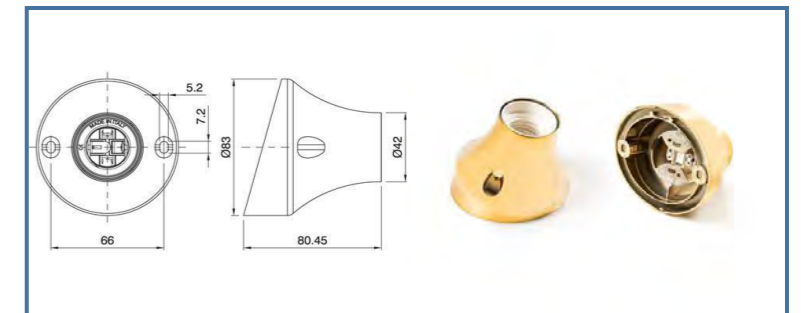
SPOT LIGHT E27 ART. PL1 INCLINED BASE WHITE



### E27 SPOT LIGHT WITH INCLINED BASE ASSEMBLED WITH ONE-PIECE LAMPHOLDER 914CP

Fixing/connection : wall use by holes  $\varnothing 5.2$  mm with wheelbase screw 66mm  
 Pieces per unit : 50  
**cod. 042356 gold**  
**cod. 042355 chromium-plated**  
**cod. 042357 copper plated**

SPOT LIGHT E27 ART. PL1 INCLINED BASE STRAIGHT GOLD





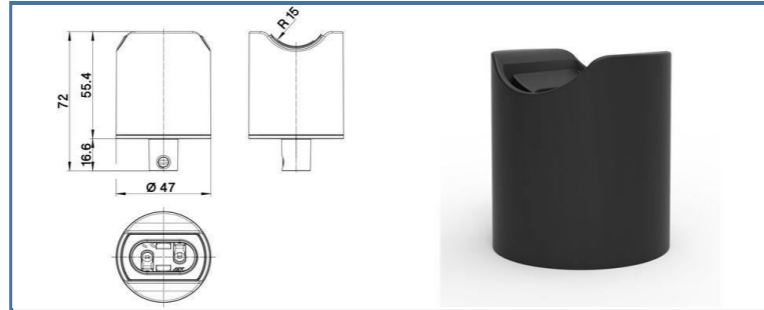
# SPOT LIGHT

## S14D SPOT LIGHT

### UNENCLOSED REINFORCED INSULATED LAMPHOLDER WITH DOUBLE CONTACT SUITABLE FOR SUSPENSION OR THREADED TUBES CLASS II APPLICATIONS

Fixing/connection : with thread M10x1  
 Pieces per unit : 30  
**cod. 041902 black**  
**cod. 042035 white**

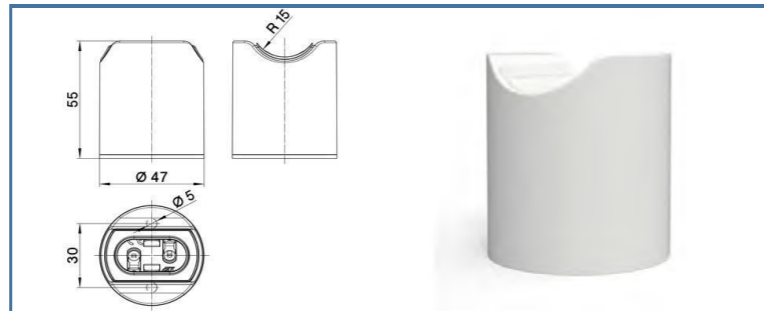
ESSE14 D IP20 M10X1 BL



### UNENCLOSED REINFORCED INSULATED LAMPHOLDER WITH DOUBLE CONTACT SUITABLE FOR CLASS II APPLICATIONS, COMPLETE WITH GASKETS

Fixing/connection : with max 4.2mm self-tapping screws  
 Pieces per unit : 30  
**cod. 042036 white**  
**cod. 041904 black**

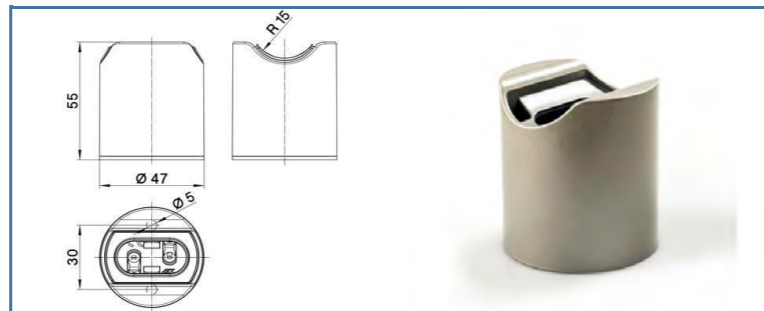
ESSE14 D IP44 WHITE



### UNENCLOSED REINFORCED INSULATED LAMPHOLDER WITH DOUBLE CONTACT SUITABLE FOR CLASS II APPLICATIONS, COMPLETE WITH GASKETS

Fixing/connection : with max 4.2mm self-tapping screws  
 Pieces per unit : 30  
**cod. 042246 matte platinum**  
**cod. 042248 matte yellow gold**  
**cod. 042250 matte rose gold**  
**cod. 042252 matte copper**

ESSE14 D IP44 MATTE PLATINUM



# SPECIAL LAMPHOLDERS

Low voltage lampholders

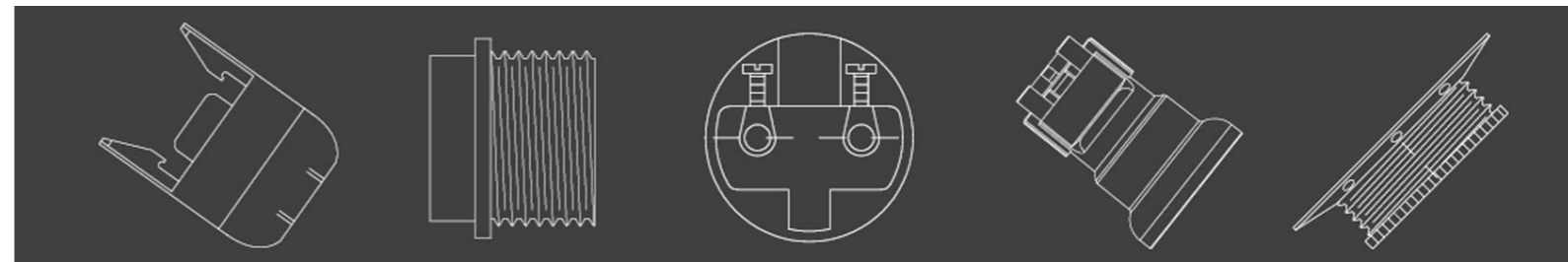
81

Mains voltage lampholders

82

Fluorescent lampholders

87



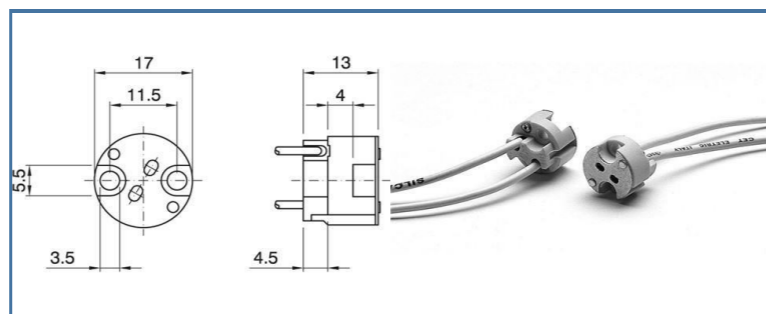
## SPECIAL LAMPHOLDERS

## LOW VOLTAGE LAMPHOLDERS

## LAMPHOLDER FOR LOW-VOLTAGE HALOGEN LAMPS

Free end finish : 7 mm stripped  
 Fixing/connection : with M3 screws  
 Pieces per unit : 500  
**cod. 008750**

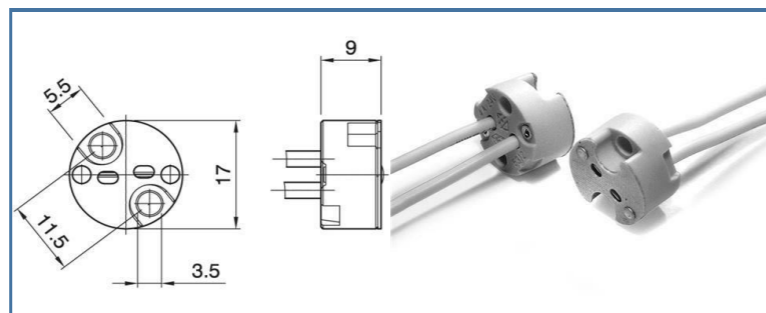
5300/SIL75/12.5/M/LHD/HAL LW



## LAMPHOLDER FOR LOW-VOLTAGE HALOGEN LAMPS

Free end finish : 9 mm stripped  
 Fixing/connection : with M3 screws  
 Pieces per unit : 2000  
**cod. 041307**

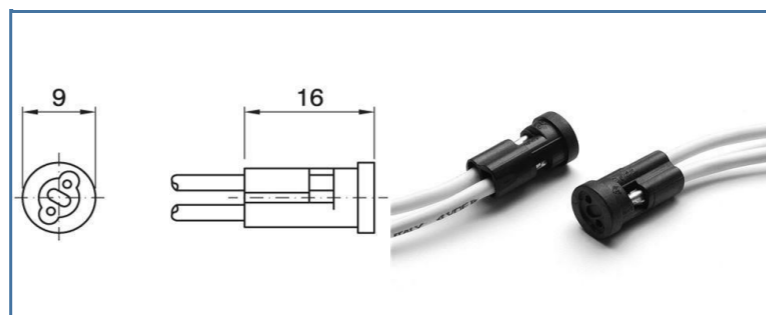
5312/SIL75/15/M/LHD/ALBT



## LAMPHOLDER FOR LOW-VOLTAGE HALOGEN LAMPS

Free end finish : 7 mm stripped  
 Fixing/connection : slotted into  $\varnothing 7.7 \div 7.8$  mm pipes  
 Pieces per unit : 500  
**cod. 023113**

5430E/SIL75/12.5/M/LHD/HAL LW



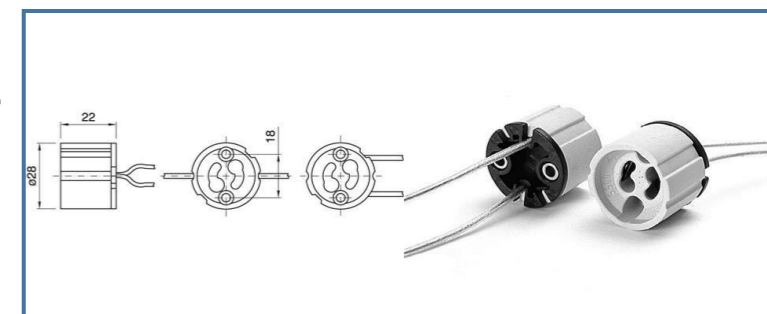
## SPECIAL LAMPHOLDERS

## MAINS VOLTAGE LAMPHOLDERS

## LAMPHOLDER FOR MAINS POWERED HALOGEN LAMPS

Free end finish : with brass ferrules  
 Fixing/connection : with M3 screws  
 Pieces per unit : 500  
**cod. 019931**

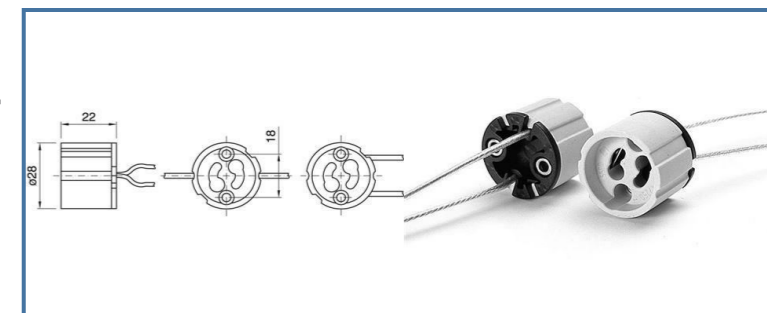
5500GU/FPFP20/25/M/LHD/HAL



## LAMPHOLDER FOR MAINS POWERED HALOGEN LAMPS

Free end finish : with brass ferrules  
 Fixing/connection : with M3 screws  
 Pieces per unit : 500  
**cod. 019935**

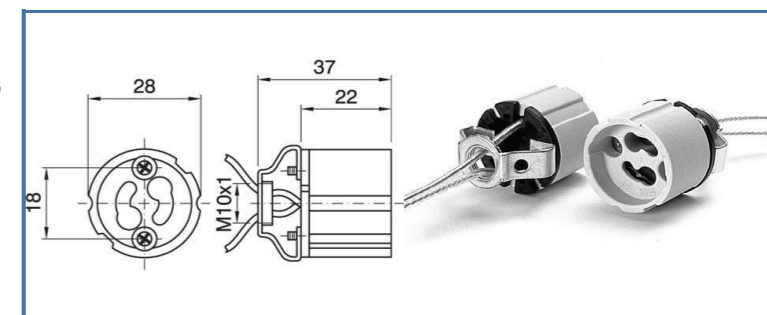
5500GZ/FPFP20/25/M/LHD/HAL



## LAMPHOLDER FOR MAINS POWERED HALOGEN LAMPS

Free end finish : with brass ferrules  
 Fixing/connection : with metal bracket with threaded through hole (M10x1)  
 Pieces per unit : 500  
**cod. 019936**

5500GZ/SQ22/FPFP20/25/M/LHD/HAL

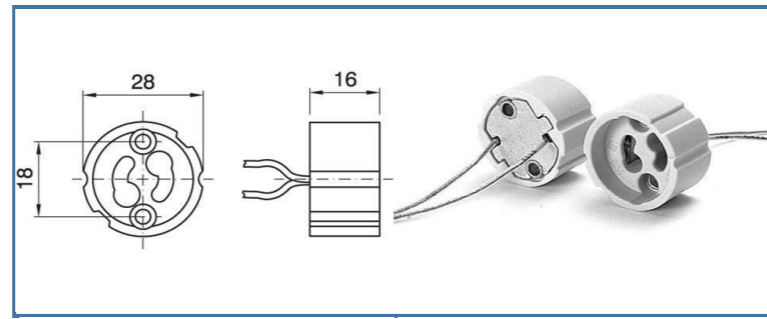


## SPECIAL LAMPHOLDERS

## LAMPHOLDER FOR MAINS POWERED HALOGEN LAMPS

Free end finish : with brass ferrules  
 Fixing/connection : with M3 screws  
 Pieces per unit : 500  
**cod. 018278**

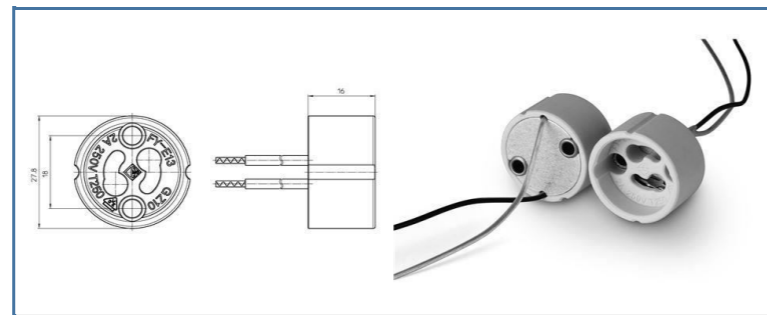
5510GZ/TF20/25/M/LHD/HAL



## LAMPHOLDER FOR MAINS POWERED HALOGEN LAMPS

Free end finish : with brass ferrules  
 Fixing/connection : with M3 screws  
 Pieces per unit : 500  
**cod. 400101**

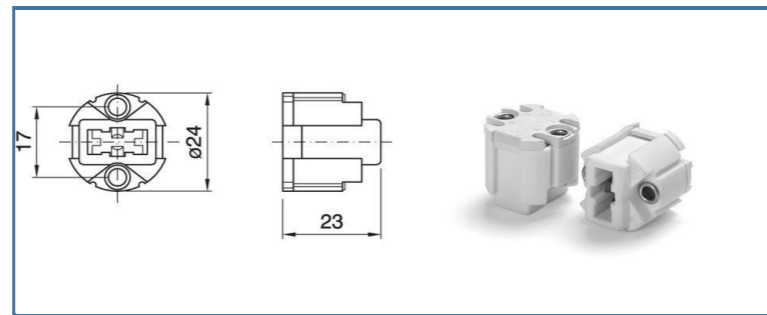
4LHD/M/GZ10/FYE13/TF20/20/HALL



## LAMPHOLDER FOR MAINS POWERED HALOGEN LAMPS, SUITABLE FOR CLASS II APPLICATIONS

Fixing/connection : with M3 screw or with snap-in domes  
 Pieces per unit : 500  
**cod. 025908**

5600/M/LHD/HAL (G9)

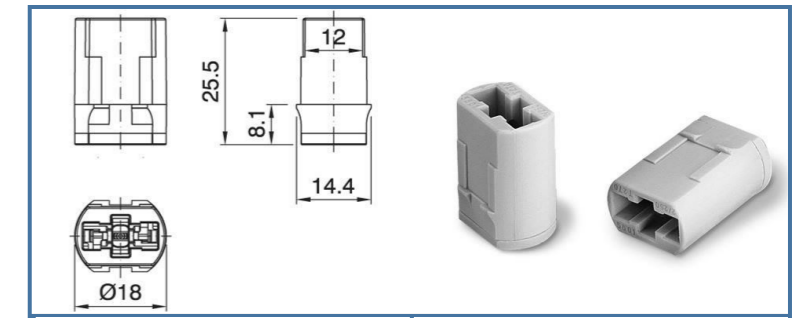


## SPECIAL LAMPHOLDERS

## LAMPHOLDER FOR MAIN POWER HALOGEN LAMPS AND SUITABLE FOR CLASS II APPLICATIONS

Fixing/connection : with snap-on domes or with metal brackets  
 Pieces per unit : 500  
**cod. 034447**

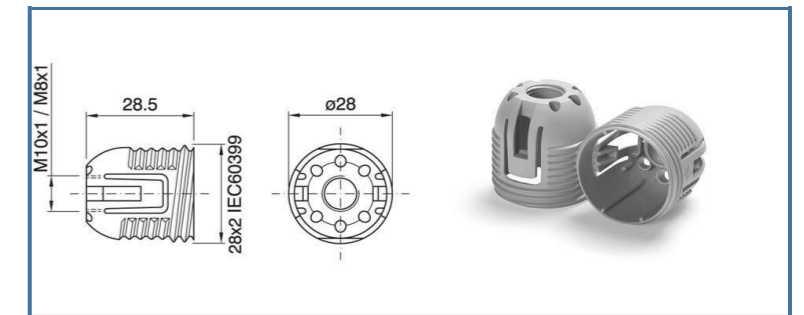
5601/M/LHD/HAL (G9)



## SNAP-ON DOME FOR ITEM 5600 LAMPHOLDER, WITH EXTERNAL THREADED 28X2 MM

Fixing/connection : with threaded entry (M10x1) with retainer  
 Pieces per unit : 500  
**cod. 024131 M10x1**

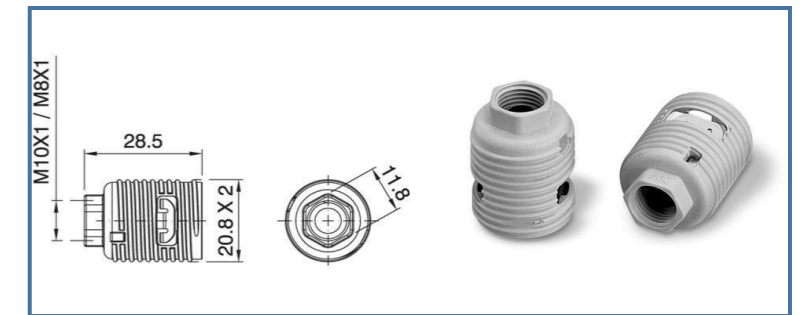
DOME G9 ART.560 M10



## SNAP-ON DOME FOR ITEM 5610-5601 LAMPHOLDER WITH EXTERNAL THREADED 20.8X2 MM

Fixing/connection : with threaded entry (M10x1) with retainer  
 Pieces per unit : 500  
**cod. 027806 M10x1**

DOME G9P ART.562 M10

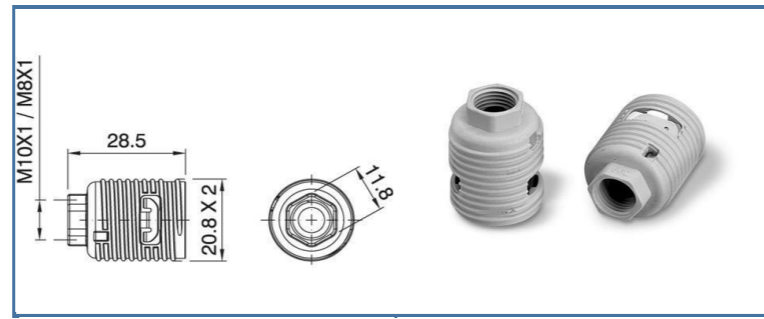


# SPECIAL LAMPHOLDERS

## SNAP-ON DOME FOR ITEM 5601-5610 LAMPHOLDER WITH INSULATING SHIELD FOR APPLICATIONS ON PORTABLE LAMPS

Fixing/connection : with threaded entry (M10x1) with retainer  
 Pieces per unit : 500  
**cod. 028389 M10x1**

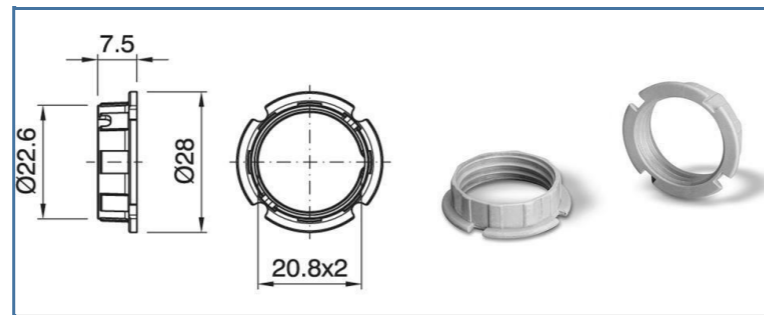
DOME G9P ART.562 M10+ISOLATOR



## SHADE RING FOR G9 LAMPHOLDER ITEM 5602

Pieces per unit : 2500  
**cod. 400081 low**

SHADE RING G9P 133 NATURAL



## SHADE RING FOR G9 LAMPHOLDER ITEM 5600

Pieces per unit : 1000  
**cod. 024133**

SHADE RING G9 ART.142 NATURAL

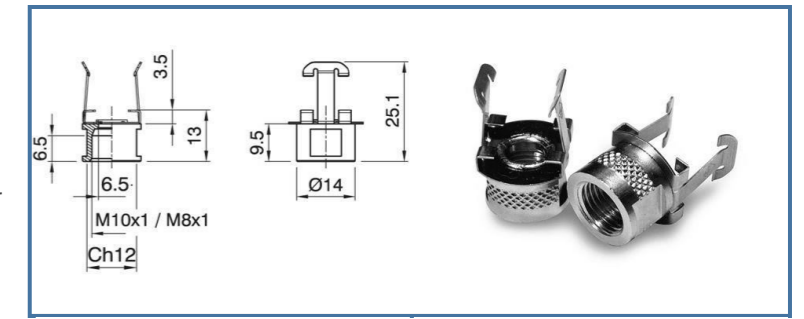


# SPECIAL LAMPHOLDERS

## SNAP-ON METAL BRACKET FOR LAMPHOLDER ITEM 5601-5602-5610

Color/Treatment: white zinc-plated  
 Fixing/connection : with threaded entry (M10x1) and retainer  
 Pieces per unit : 500  
**cod. 027272**

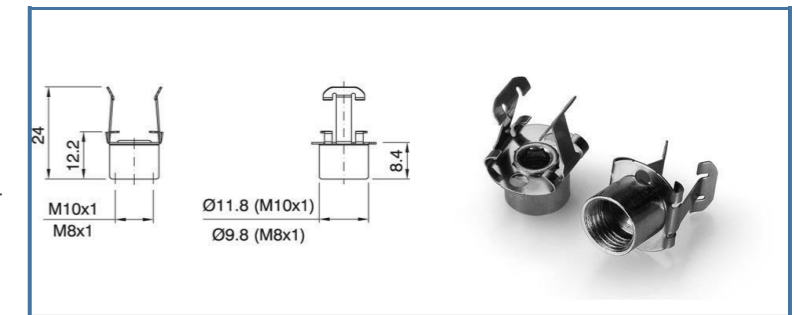
METAL BRACKET G9P M10 C320



## SNAP-ON METAL BRACKET FOR LAMPHOLDER ITEM 5601-5602-5610

Color/Treatment: white zinc-plated  
 Fixing/connection : with threaded entry (M10x1) and retainer  
 Pieces per unit : 4000  
**cod. 400114**

METAL BRACKET G9P M10



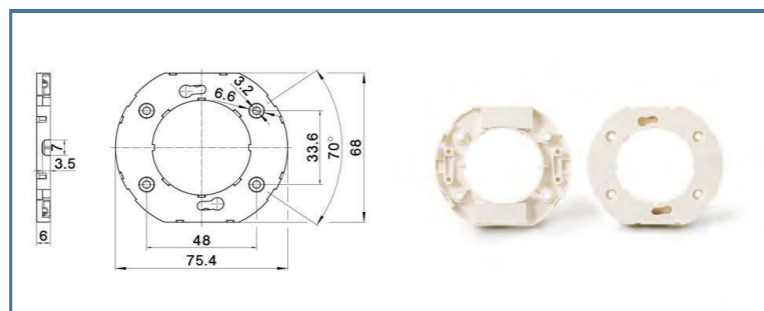
# SPECIAL LAMPHOLDERS

## FLUORESCENT LAMPHOLDERS

### LOW PROFILE LAMPHOLDER FOR GX53 LAMPS BASE

Fixing/connection : through holes for M3 screw  
 Pieces per unit : 500  
**cod. 041144 h 6 mm**

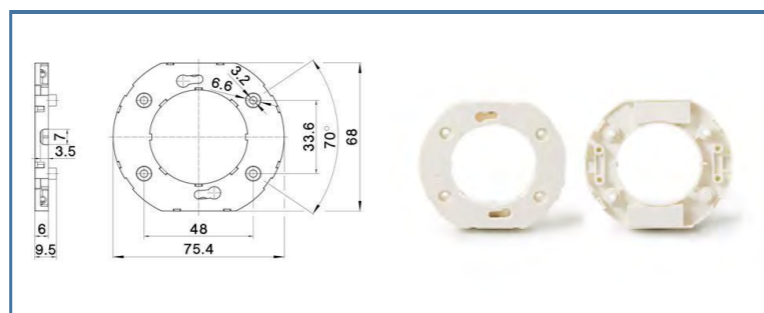
753/LHD/GX53



### HIGHT PROFILE LAMPHOLDER FOR GX53 LAMPS BASE

Fixing/connection : through holes for M3 screw  
 Pieces per unit : 500  
**cod. 041145 h 9,5 mm**

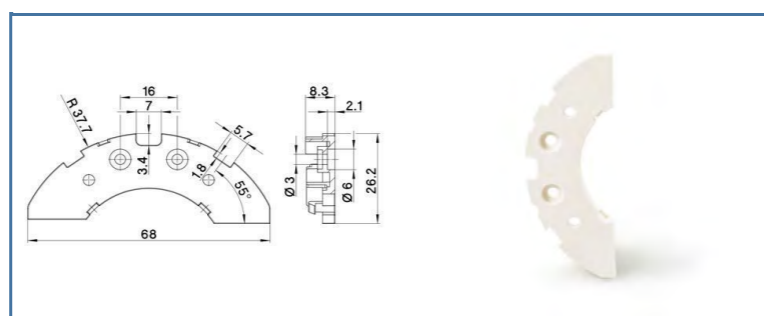
753H/LHD/GX53



### SNAP-ON CABLE COVER FOR GX53 LAMPHOLDERS ART.753

Use/Application : combined with article 753 height 6mm  
**cod. 040712 snap-on cable cover**  
**cod. 034298 self tapping screw**

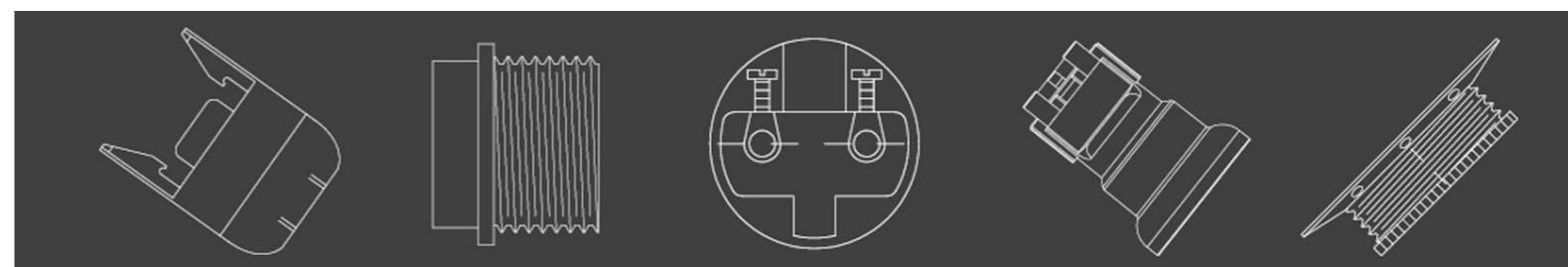
COVER CABLE GX53



# SUSPENSION AND ACCESSORIES

## Suspension and accessories

89



## SUSPENSION AND ACCESSORIES

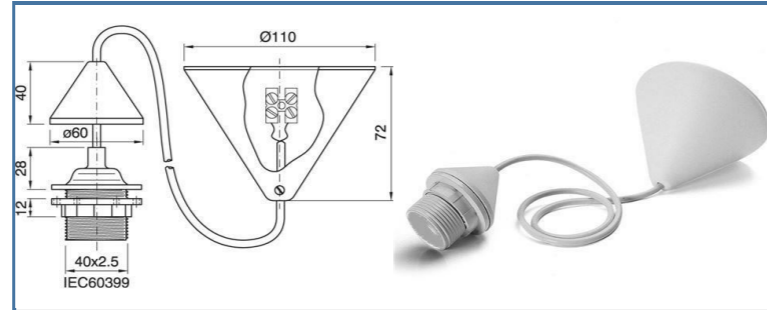
## SUSPENSION AND ACCESSORIES

## CLASS II SUSPENSION WITH E27 LAMPHOLDER

Pieces per unit : 75

cod. 025152 80 cm - black  
 cod. 025148 60 cm - black  
 cod. 025147 60 cm - white  
 cod. 025150 80 cm - white  
 cod. 025151 80 cm - gold  
 cod. 024459 80 cm - transparent

PNM27/81GTP/31/C3/73/80/BL/SUSPENSION

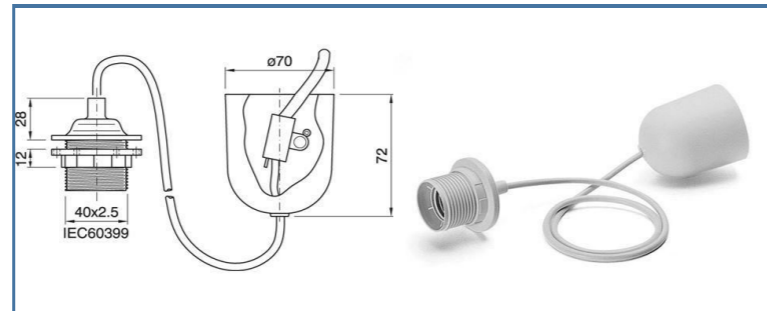


## CLASS II SUSPENSION WITH E27 LAMPHOLDER

Pieces per unit : 100

cod. 020694 80 cm - black  
 cod. 020691 60 cm - black  
 cod. 020692 60 cm - white  
 cod. 020695 80 cm - white  
 cod. 020696 80 cm - gold

PNS27A/81GTP/20/73/80/BL/SUSPENSION

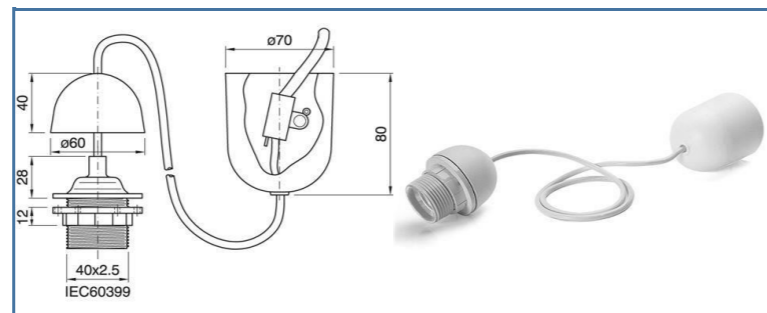


## CLASS II SUSPENSION WITH E27 LAMPHOLDER

Pieces per unit : 75

cod. 021061 80 cm - white

PNS27A/81SGTP/20/C2/73/80/WH/SUSPENSION



## SUSPENSION AND ACCESSORIES

SUSPENSION WITH E27 ONE-PIECE THERMOPLASTIC LAMPHOLDER, SNAP-ON DOME ART.80CP2M, FLAT CABLE H03VVH2-F 2X0.75 MM<sup>2</sup>, DOUBLE-POLE TERMINAL BLOCK, WITHOUT CEILING-ROSE.

Pieces per unit : 200

cod. 042379 black

PPM27/80CP2M/13/TC75/BL/GR21 (200PZ) T180



SUSPENSION CEILING-ROSE SUITABLE FOR CLASS II APPLICATIONS IF USED WITH ARDITI TERMINAL BLOCK ITEM 145 (COD. 027535) SUPPLIED ON DEMAND.

Ceiling rose : cylindrical

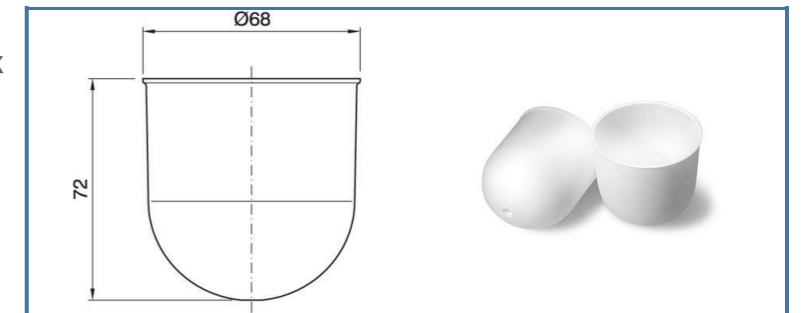
Pieces per unit : 360

cod. 027247 black

cod. 027246 white

cod. 027248 gold

CEILING-ROSE RO 20N BLACK



SUSPENSION CEILING-ROSE SUITABLE FOR CLASS II APPLICATIONS IF USED WITH ARDITI TERMINAL BLOCK ITEM 145 (COD. 027535) SUPPLIED ON DEMAND.

Ceiling rose : conical

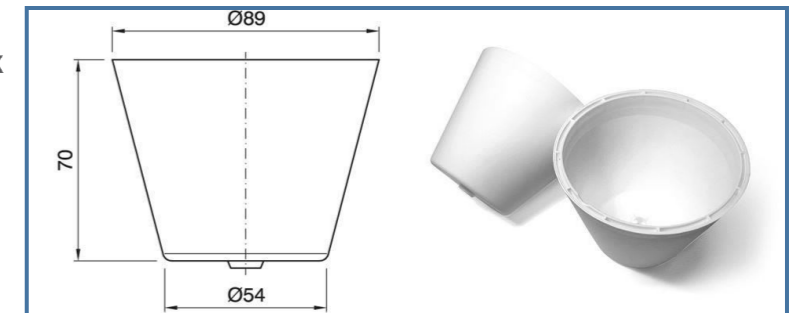
Pieces per unit : 200

cod. 024033 black

cod. 023112 white

cod. 024034 gold

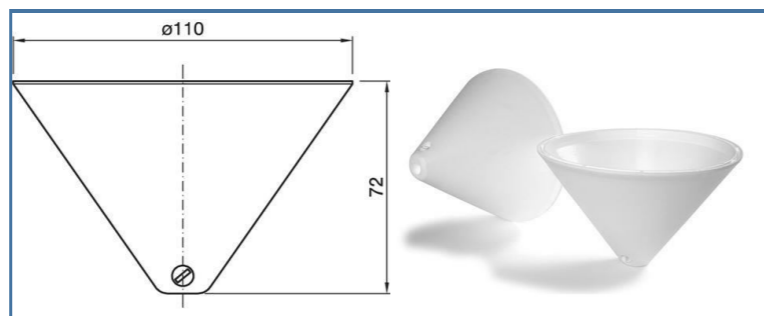
CEILING-ROSE RO 22 BLACK



## SUSPENSION AND ACCESSORIES

## SUSPENSION CEILING-ROSE WITH LOCKING DEVICE AND M7X1 DOWEL (SEPARATELY SUPPLIED ON DEMAND COD. 024035) SUITABLE FOR CLASS II APPLICATIONS

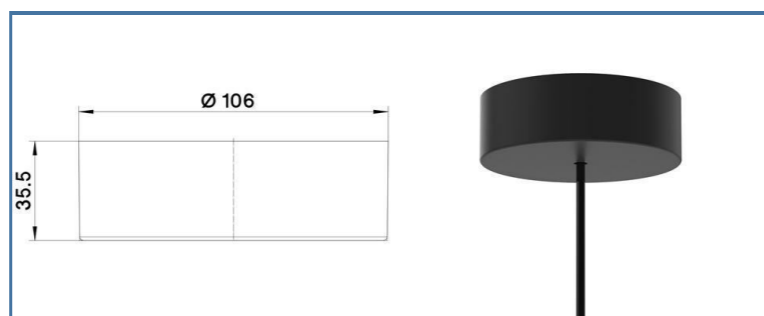
Ceiling rose : conical  
Pieces per unit : 200  
**cod. 023109 black**  
**cod. 023108 white**  
**cod. 024028 gold**



CEILING-ROSE RO 31 BLACK

SNAP-ON SUSPENSION CEILING-ROSE  
DIAM.106XH35MM, SUITABLE FOR CLASS II APPLICATIONS

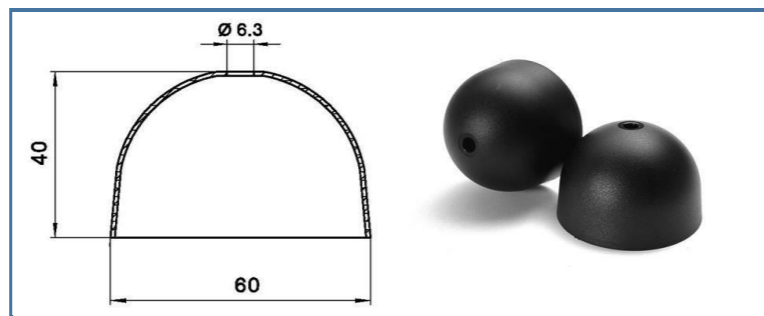
Ceiling rose : cylindrical  
**cod. 042652 black**  
**cod. 042561 white**



CEILING-ROSE RO 53 BLACK

## DECORATIVE COVER FOR SUSPENSION

Type of cap : spherical  
Pieces per unit : 1000  
**cod. 013164 black**  
**cod. 013159 white**  
**cod. 013385 gold**



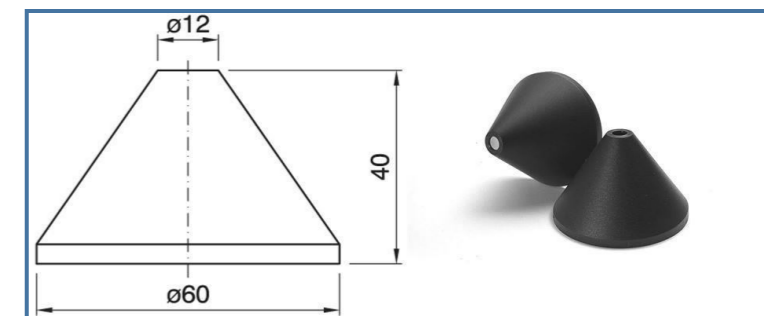
DECORATIV COVER CAL 2 BLACK

## SUSPENSION AND ACCESSORIES

## DECORATIVE COVER FOR SUSPENSION

Type of cap : conical  
Pieces per unit : 1000  
**cod. 013165 black**  
**cod. 013158 white**  
**cod. 013491 gold**

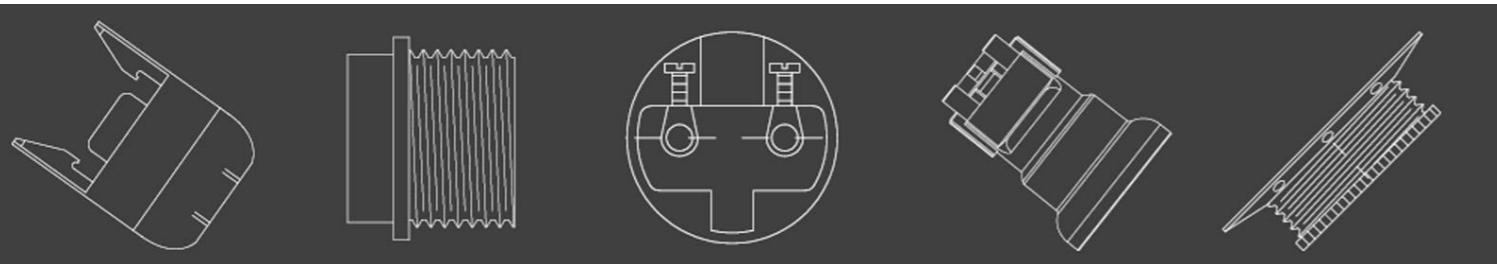
DECORATIV COVER CAL 3 BLACK



# REWIREABLE SWITCHES AND PLUGS

## Rewireable switches and plugs

94



# REWIREABLE SWITCHES AND PLUGS

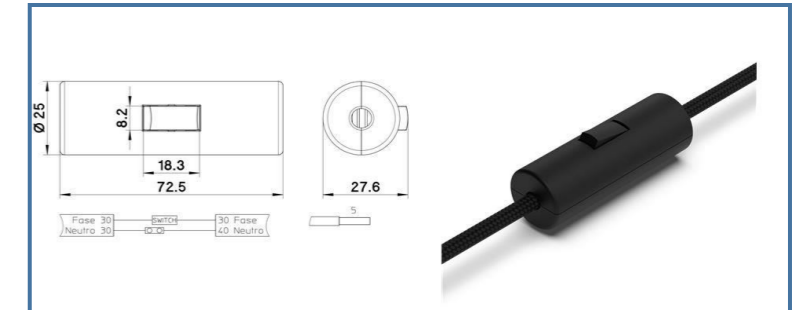
## REWIREABLE SWITCHES AND PLUGS

### REWIREABLE CYLINDRICAL SINGLE POLE ROCKER SWITCH

Type and cross sections : flat H03VVH2-F or round H03VV-F 2x0,75mm<sup>2</sup>

**cod. 042425 black**  
**cod. 042565 white**

399 BL SWITCH

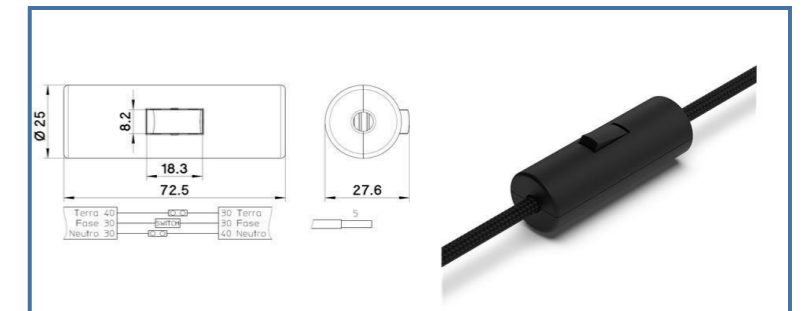


### REWIREABLE CYLINDRICAL SINGLE POLE ROCKER SWITCH WITH EARTH TERMINAL

Type and cross sections : flat H03VVH2-F 2x0,75mm<sup>2</sup> or round cable H03VV-F 2x - 3x0,75mm<sup>2</sup> | flat H03V2V2H2-F 2x0,75mm<sup>2</sup> or round cable H03V2V2F 2x - 3x0,75mm<sup>2</sup> T90°C

**cod. 042426 black**  
**cod. 042566 white**

399/T BL SWITCH



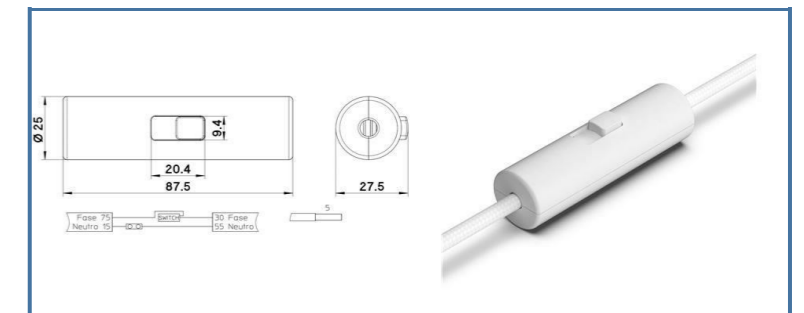
### REWIREABLE CYLINDRICAL SINGLE POLE CORD-OPERATED SWITCH

Type and cross sections : flat H03VVH2-F or round H03VV-F 2x0,75mm<sup>2</sup>

Use/Application : for class II application

**cod. 042563 white**  
**cod. 042423 black**

400 WH PULL



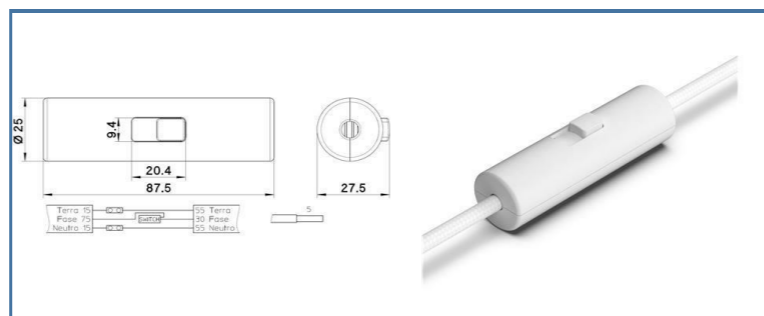


## REWIREABLE SWITCHES AND PLUGS

## REWIREABLE CYLINDRICAL SINGLE POLE CORD-OPERATED SWITCH WITH EARTH TERMINAL

Type and cross sections : flat H03VVH2-F 2x0,75mm<sup>2</sup> or round cable H03VV-F 2x - 3x0,75mm<sup>2</sup> | flat H03V2V2H2-F 2x0,75mm<sup>2</sup> or round cable H03V2V2F 2x - 3x0,75mm<sup>2</sup> T90°C  
Use/Application : for class I application  
**cod. 042564 white**  
**cod. 042424 black**

400/T WH PULL



## SINGLE POLE ROCKER SWITCH

Type and cross sections : two poles flat cable H03VVH2-F 2x0,75 mm<sup>2</sup> | two poles round cable H03VV-F 2x0.75 mm<sup>2</sup>  
Pieces per unit: 1000  
**cod. 028315 black**  
**cod. 028314 white**  
**cod. 028316 gold**  
**cod. 021423 transparent**

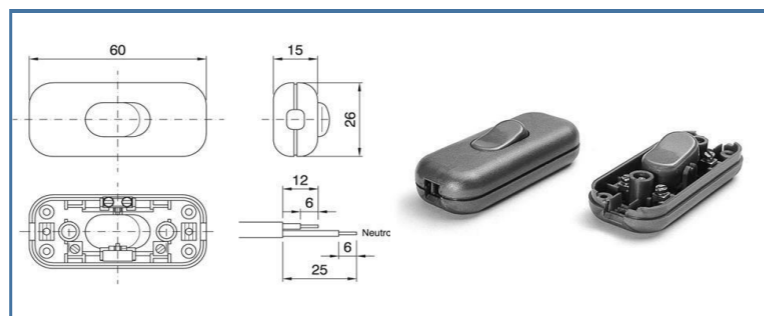
300/V/1/M M BL SWITCH



## SINGLE POLE ROCKER SWITCH

Type and cross sections : two poles flat cable H03VVH2-F 2x0,5 and 0,75 mm<sup>2</sup>  
Pieces per unit: 1000  
**cod. 028318 black**  
**cod. 028317 white**  
**cod. 028319 gold**

300/V/1/P/M M BL SWITCH

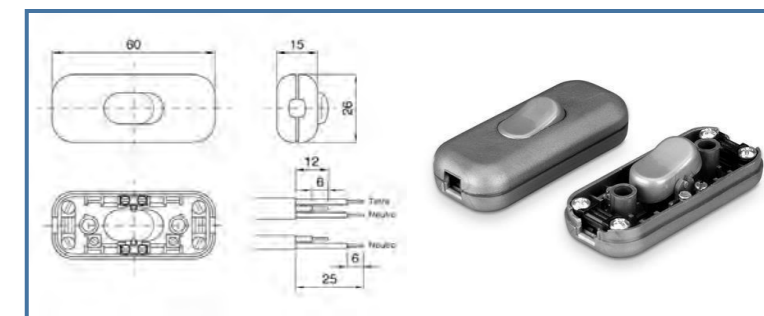


## REWIREABLE SWITCHES AND PLUGS

## SINGLE-POLE ROCKER SWITCH WITH EARTH TERMINAL

Type and cross sections : two poles flat cable H03VVH2-F 2x0,75 mm<sup>2</sup> | two poles round cable H03VV-F 2x0.75 mm<sup>2</sup> | three poles round cable H03VV-F 3G 0.75 mm<sup>2</sup> (G= ground conductor)  
Pieces per unit: 1000  
**cod. 028321 black**  
**cod. 028320 white**  
**cod. 028322 gold**  
**cod. 029498 transparent**

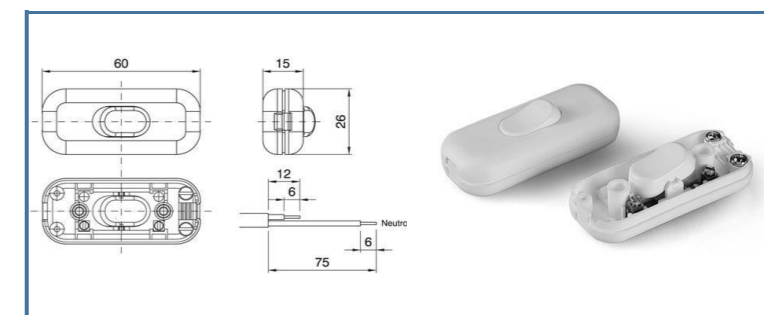
300/V/1/M/T M BL SWITCH



## SINGLE-POLE TERMINAL SWITCH

Type and cross sections : two poles flat cable H03VVH2-F 2x0,75 mm<sup>2</sup> | two poles round cable H03VV-F 2x0.75 mm<sup>2</sup>  
Pieces per unit: 1000  
**cod. 029422 black**  
**cod. 029421 white**

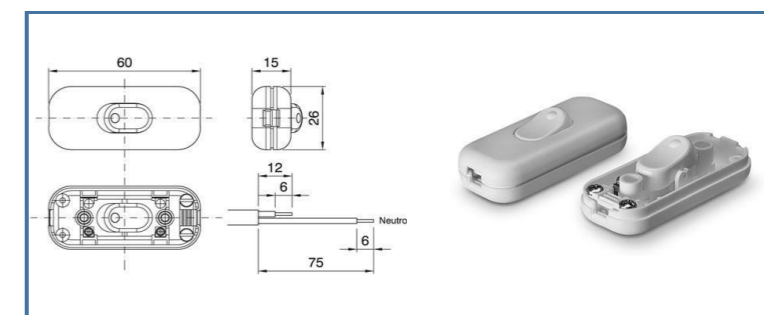
300/V/1/S M BL SWITCH



## LOOSE PUSHBUTTON TERMINAL SWITCH NO

Type and cross sections : two poles flat cable H03VVH2-F 2x0,75 mm<sup>2</sup> | two poles round cable H03VV-F 2x0.75 mm<sup>2</sup>  
Pieces per unit: 1000  
**cod. 027656 black**  
**cod. 027655 white**

300/V/B M BL SWITCH

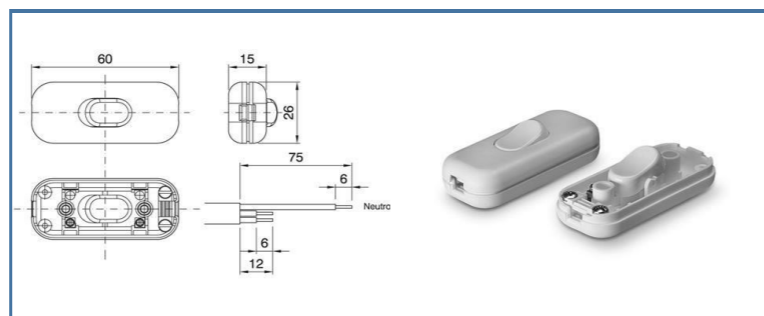


## REWIREABLE SWITCHES AND PLUGS

## LOOSE TWO WAY TERMINAL SWITCH

Type and cross sections : two poles flat cable H03VVH2-F 2x0,75 mm<sup>2</sup> | two poles round cable H03VV-F 2x0.75 mm<sup>2</sup>  
 Pieces per unit: 1000  
**cod. 027658 black**  
**cod. 027657 white**  
**cod. 028122 gold**

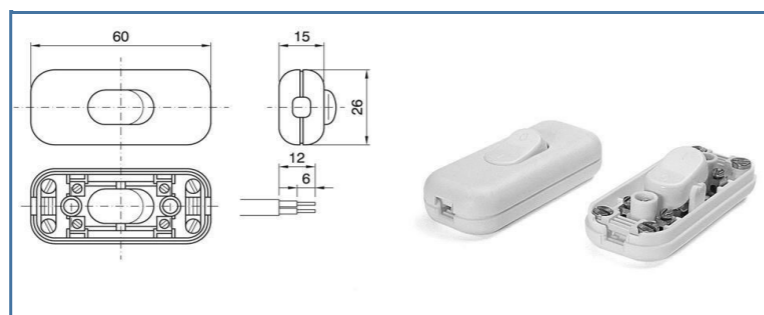
300/V/D M BL SWITCH



## DOUBLE-POLES ROCKER SWITCH

Type and cross sections : two poles flat cable H03VVH2-F 2x0,75 mm<sup>2</sup> | two poles round cable H03VV-F 2x0.75 mm<sup>2</sup>  
 Pieces per unit: 1000  
**cod. 008888 black**  
**cod. 011039 white**  
**cod. 011040 gold**  
**cod. 024411 transparent**

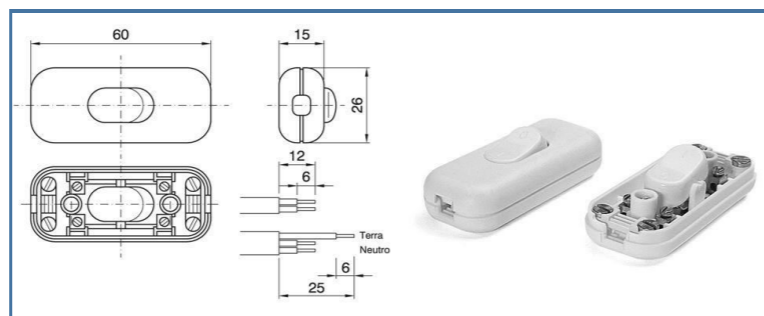
300/V/2 M BL SWITCH



## DOUBLE-POLES ROCKER SWITCH WITH EARTH TERMINAL

Type and cross sections : two poles flat cable H03VVH2-F 2x0,75 mm<sup>2</sup> | two poles round cable H03VV-F 2x0.75 mm<sup>2</sup> | three poles round cable H03VV-F 3G 0.75 mm<sup>2</sup> (G= ground conductor)  
 Pieces per unit: 1000  
**cod. 028381 black**  
**cod. 028380 white**  
**cod. 028382 gold**

300/V/2/T M BL SWITCH

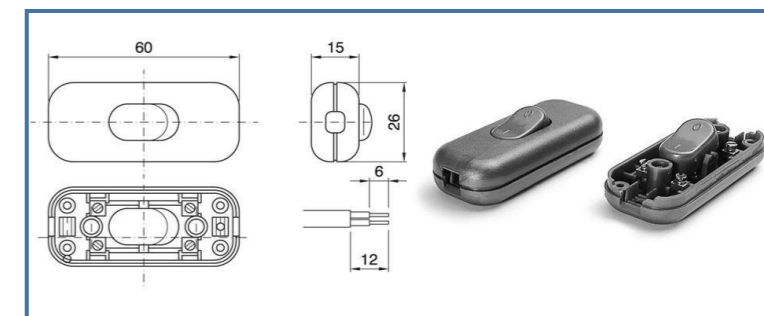


## REWIREABLE SWITCHES AND PLUGS

## DOUBLE-POLES ROCKER SWITCH

Type and cross sections : two poles flat cable H03VVH2-F 2x0,5 and 0,75 mm<sup>2</sup>  
 Pieces per unit: 1000  
**cod. 018461 black**  
**cod. 018135 white**  
**cod. 018459 gold**

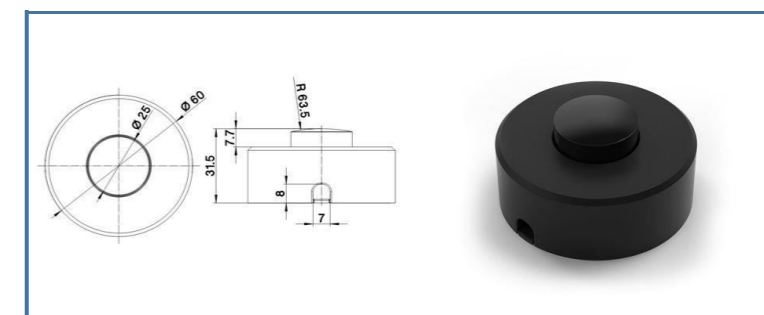
300/V/2/P M BL SWITCH



## REWIREABLE CYLINDRICAL TROUGH CORD SINGLE-POLE FOOT SWITCH

Type and cross sections : flat H03VVH2-F 2x0,75mm<sup>2</sup> or round cable H03VV-F 2x - 3x0,75mm<sup>2</sup> | flat H03V2V2H2-F 2x0,75mm<sup>2</sup> or round cable H03V2V2F 2x - 3x0,75mm<sup>2</sup> T90°C  
**cod. 042579 black**  
**cod. 042580 white**

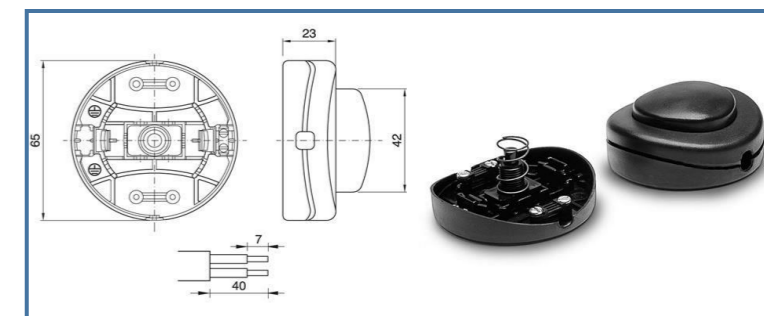
CYLINDRICAL FOOT SWITCH ART 353 BLACK



## TROUGH CORD SINGLE-POLE FOOT SWITCH

Type and cross sections : two poles flat cable H03VVH2-F 2x0,75 mm<sup>2</sup> | two poles round cable H03VV-F 2x0.75 mm<sup>2</sup>  
 Pieces per unit: 250  
**cod. 022567 black**  
**cod. 022566 white**  
**cod. 022568 gold**  
**cod. 022576 transparent**

FOOT SWITCH ART.350VP BL

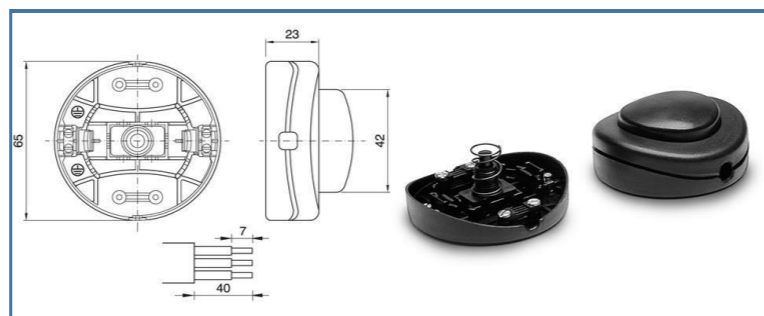


## REWIREABLE SWITCHES AND PLUGS

## TROUGH CORD SINGLE-POLE FOOT SWITCH WITH EARTH TERMINAL

Type and cross sections : two poles flat cable H03VVH2-F 2x0,75 mm<sup>2</sup> | two poles round cable H03VV-F 2x0.75 mm<sup>2</sup> | three poles round cable H03VV-F 3G 0.75 mm<sup>2</sup> (G= ground conductor)

Pieces per unit: 250  
**cod. 022570 black**  
**cod. 022569 white**  
**cod. 022571 gold**  
**cod. 024442 transparent**



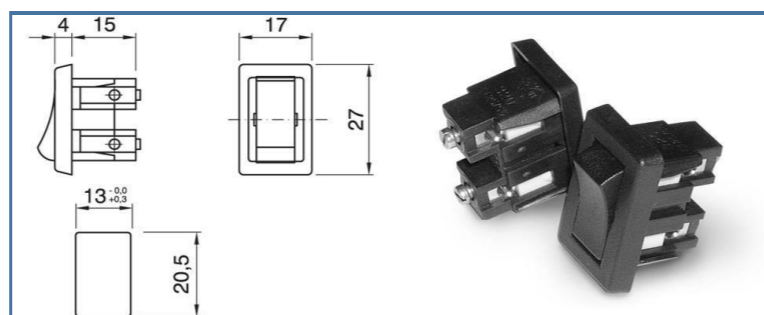
FOOT SWITCH ART.350VP/T BL



## INCORPORATED ROCKER SWITCH

Type and cross sections : two poles flat cable H03VVH2-F 2x0,75 mm<sup>2</sup> | two poles round cable H03VV-F 2x0.75 mm<sup>2</sup>

Pieces per unit: 2000  
**cod. 029289 black**  
**cod. 029288 white**



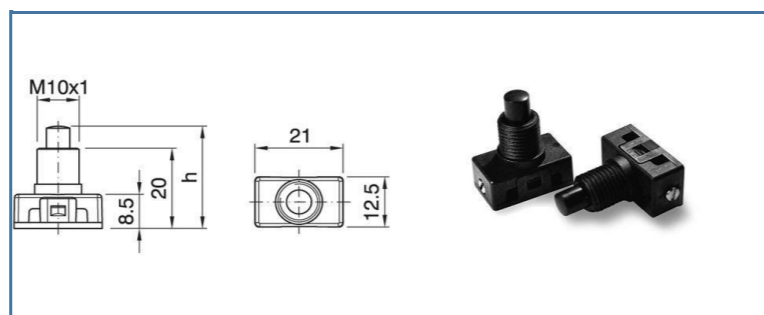
320 BL SWITCH



## SINGLE-POLE PUSH BUTTON SWITCH (H=25,5MM)

Type and cross sections : two poles flat cable H03VVH2-F 2x0,75 mm<sup>2</sup> | two poles round cable H03VV-F 2x0.75 mm<sup>2</sup>

Pieces per unit: 1000  
**cod. 024123 h 25.5 mm black**  
**cod. 027522 h 25.5 mm white**  
**cod. 027527 h 30.5 mm black**  
**cod. 027528 h 30.5 mm white**



330V BLACK SWITCH

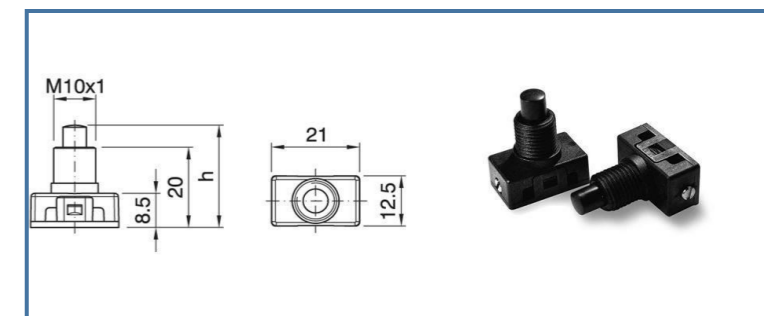


## REWIREABLE SWITCHES AND PLUGS

## PUSH BUTTON SWITCH NO (H=25,5MM)

Type and cross sections : two poles flat cable H03VVH2-F 2x0,75 mm<sup>2</sup> | two poles round cable H03VV-F 2x0.75 mm<sup>2</sup>

Pieces per unit: 1000  
**cod. 027523 h 25.5 mm black**  
**cod. 024124 h 25.5 mm white**  
**cod. 027530 h 30.5 mm white**  
**cod. 027529 h 30.5 mm black**



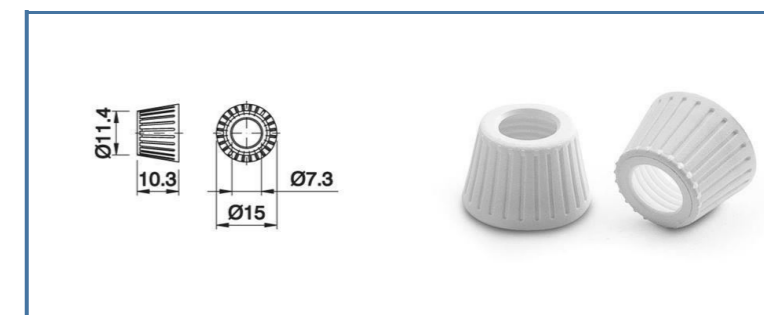
330VP BL PULSE SWITCH



## RING FOR SERIES 330 SWITCH

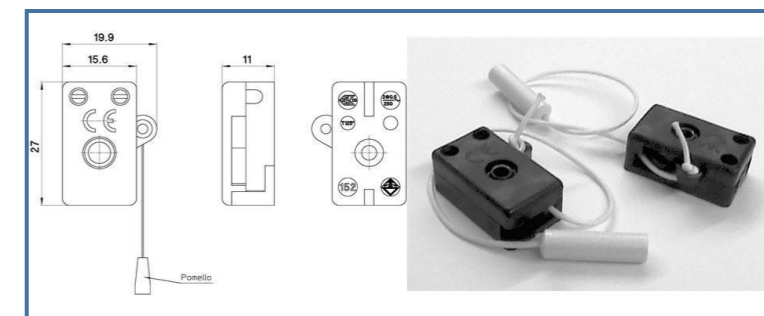
**cod. 033023 black**  
**cod. 033022 white**  
**cod. 033024 gold**

SHADE RING ART.330 BLACK



## SINGLE POLE CORD-OPERATED SWITCH WITH TWO PILLAR TERMINALS (T125°C). TO BE INCORPORATED.

Type and cross sections : single wire 0.75 mm<sup>2</sup>  
 Use/Application : for class II application  
 Pieces per unit: 1000  
**cod. 037184 black**



152A BL SWITCH



# REWIREABLE SWITCHES AND PLUGS

## REWIRABLE PLUG 2P S10, 250VAC, 10A, IP20

Type and cross sections : two poles flat cable H03VVH2-F 2x0,75 mm<sup>2</sup> | two poles round cable H03VV-F 2x0.75 mm<sup>2</sup> | two poles round cable H05VV-F 2x1 mm<sup>2</sup>

Pieces per unit: 200

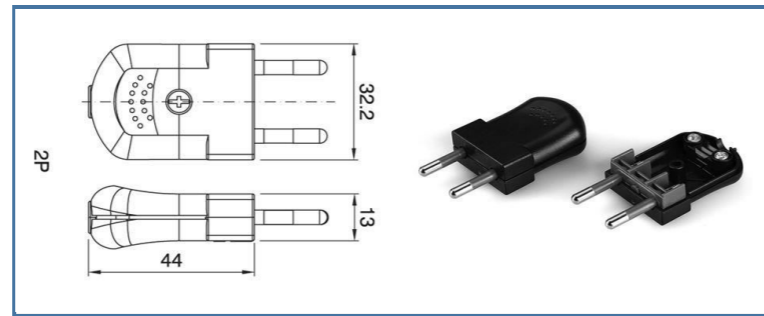
**cod. 034715 black**

**cod. 034714 white**

**cod. 034716 gold**

**cod. 034717 transparent**

PLUG REMOVIBLE ART.2300 BL



## REWIRABLE PLUG 2P+T S11, 250VAC, 10A, IP20

Type and cross sections : three poles round cable H03VV-F 3G 1 mm<sup>2</sup> | three poles round cable H03VV-F 3G 0.75 mm<sup>2</sup> (G= ground conductor)

Earth Terminal : Yes

Pieces per unit: 200

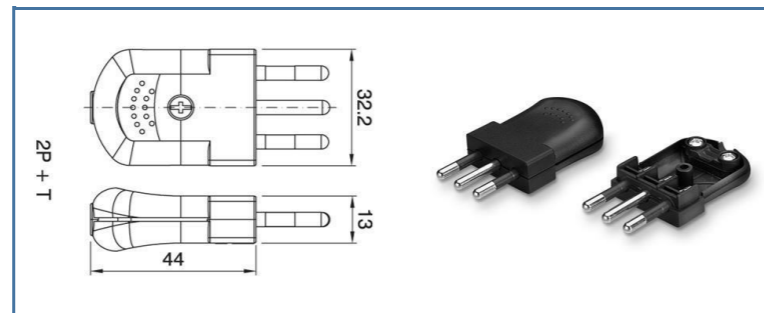
**cod. 034719 black**

**cod. 034718 white**

**cod. 034720 gold**

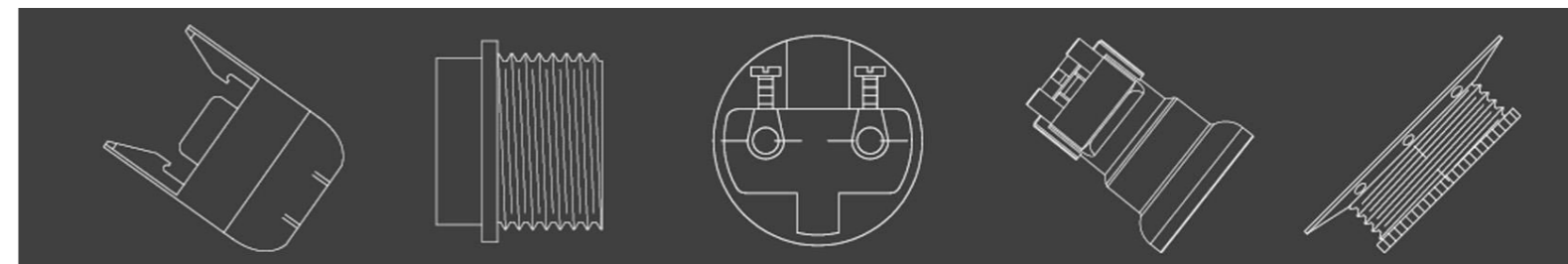
**cod. 034753 transparent**

PLUG REMOVIBLE ART.2300/T BL



## Cables

## 103

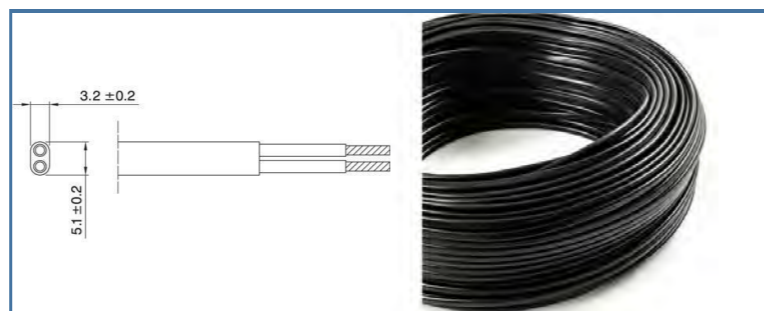


## CABLES

**FLEXIBLE FLAT CABLE UNDER LIGHT PVC SHEATH,  
CROSS SECTION 2X0,5 MM<sup>2</sup>, RATED  
VOLTAGE:300/300V**

*cod. 029534 black*  
*cod. 029533 white*  
*cod. 029743 gold*

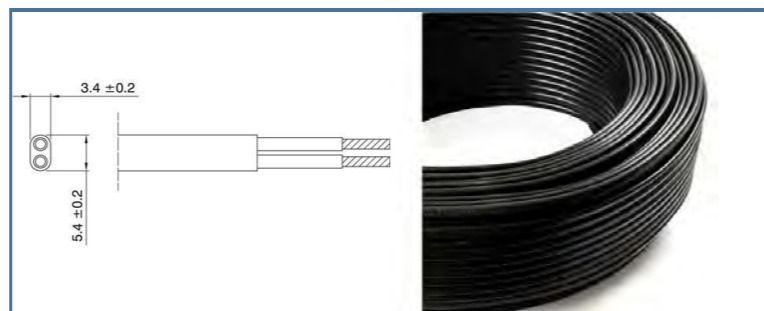
WIRE-A CL 2X0.5 BL T70 SKEINED 100MT (H03VVH2-F)



**FLEXIBLE FLAT CABLE UNDER LIGHT PVC SHEATH,  
CROSS SECTION 2X0,75MM<sup>2</sup>, RATED VOLTAGE  
300/300V**

*cod. 028696 black*  
*cod. 030094 transparent*  
*cod. 028693 white*  
*cod. 028695 gold*

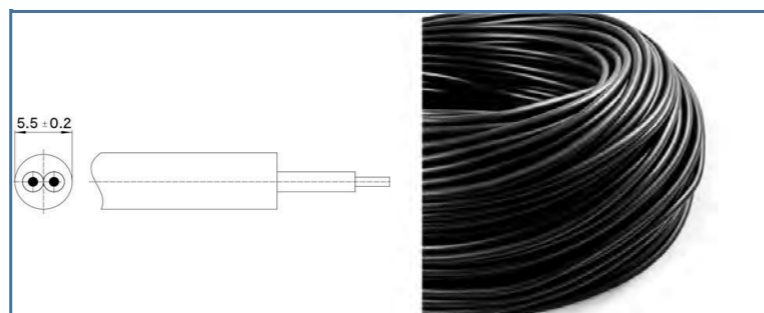
WIRE-A CL 2X0.75 BL T70 SKEINED 100MT



**FLEXIBLE ROUND CABLE UNDER PVC SHEATH, CROSS  
SECTION 2X0,75 MM<sup>2</sup>, RATED VOLTAGE:300/300V**

*cod. 036697 black*  
*cod. 036695 white*

WIRE-A CR 2X0.75 BL NO PFT T70 SKEINED 100MT  
(H03VV-F)



AVAILABLE FLEXIBLE FLAT AND ROUND  
CABLES:

- HALONGEN FREE
- SUPER SOFT
- TEXTILE BRAIDED CABLES IN DIFFERENT COLOUR

Cord-sets

106

## CORD-SETS

Cord-sets available with plug, switch or dimmer only

Rated voltage: 250V

Cord-sets range with plugs: European, U.S.A., British and French/Schuko

Cable phthalate free

Tolerances: L1 and L2 ≤ 1 m (± 1 cm); L1 and L2 &gt; 1 m (± 1%)

Standard finish of free end: 21 mm stripped outer insulation, 7 mm brass ferrule or electrowelded

Other types of cable, lengths or finishes on demand

Approval:  03  

## CORD-SET WITH DOUBLE-POLES CABLE

Cable : two poles flat cable H03VVH2-F 2x0,75 mm<sup>2</sup>

Switch : one-pole 2(1), tungsten lamp load 1A, 250V, 1E4 (mod.304)

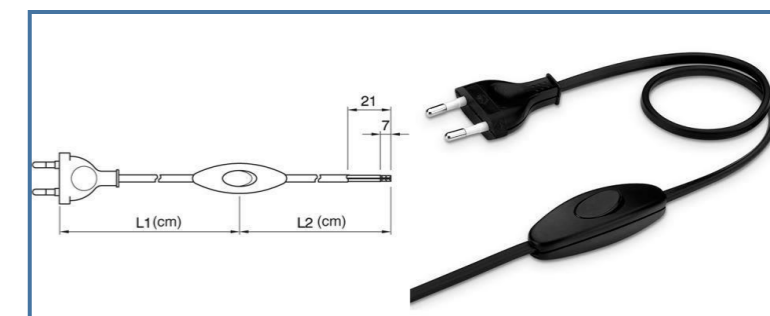
Plug : european, 2.5A, 250V (mod. 2130)

Finishes: free end with electrowelded terminals

Pieces per unit : 250

**cod. 020085 120/80 black****cod. 020073 120/80 white****cod. 020074 120/80 gold****cod. 020492 120/80 transparent**

LFM/275/120/80/BL/STD/WIRING



## CORD-SET WITH DOUBLE-POLES CABLE

Cable : two poles flat cable H03VVH2-F 2x0,75 mm<sup>2</sup>

Switch : one-pole 2(1), tungsten lamp load 1A, 250V, 1E4 (mod. 305)

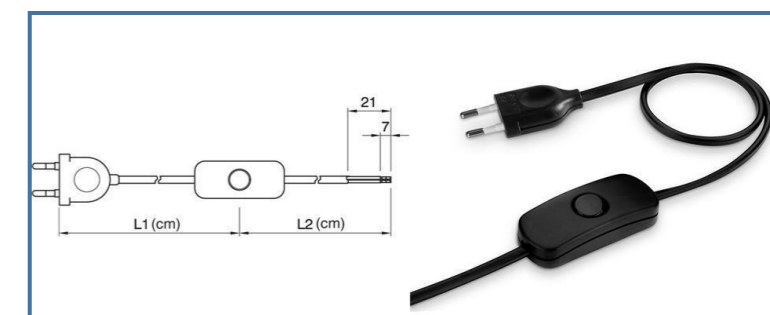
Plug : european, 2.5A, 250V (mod. 2111)

Finishes: free end with brass ferrules

Pieces per unit : 200

**cod. 002480 black****cod. 002479 white**

LIE/275/120/80/BL/STD/WIRING



## CORD-SET WITH DOUBLE-POLES CABLE

Cable : two poles flat cable H03VVH2-F 2x0,75 mm<sup>2</sup>

Switch : one-pole 2(1), tungsten lamp load 1A, 250V, 1E4 (mod. 305)

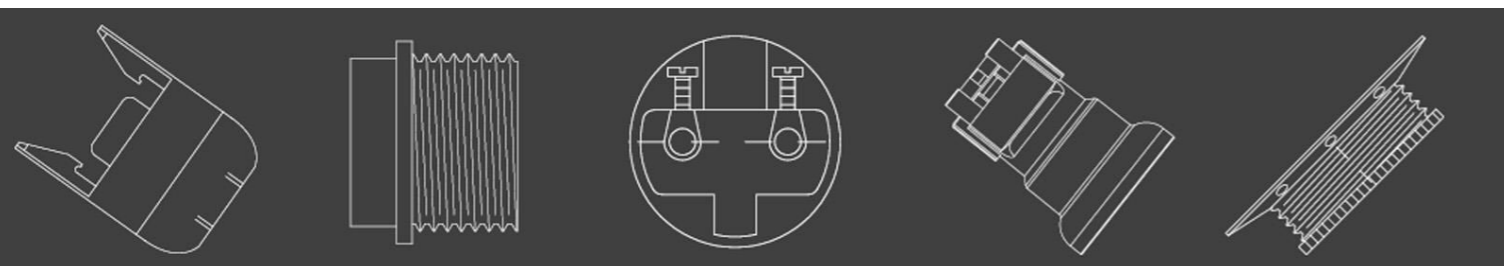
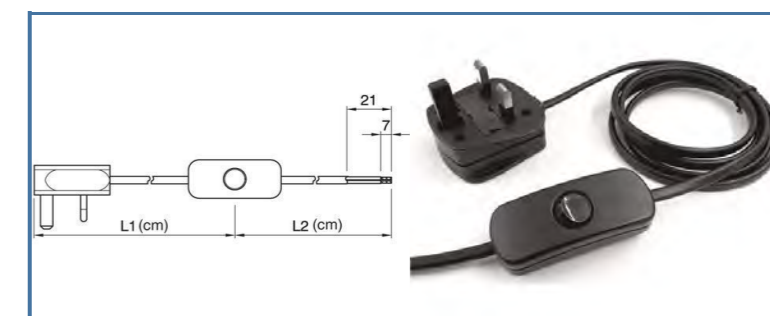
Plug : british, Arditi 3A, 250V (mod. 2400)

Finishes: free end with brass ferrules

Pieces per unit : 150

**cod. 037388 120/80 black****cod. 037389 120/80 white**

LIGA/275/120/80/BL/STD/WIRING

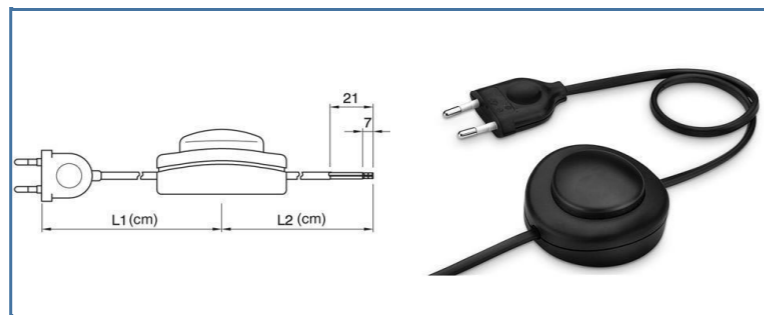


# CORD-SETS

## CORD-SET WITH DOUBLE-POLES CABLE

Cable : two poles flat cable H03VVH2-F 2x0,75 mm<sup>2</sup>  
 Switch : foot type one pole, 2A, tungsten lamp load 1A, 250V, 1E4 (mod. 350)  
 Plug : european, 2.5A, 250V (mod. 2111)  
 Finishes: free end with brass ferrules  
 Pieces per unit : 100  
**cod. 020757 100/200 black**  
**cod. 020756 100/200 white**  
**cod. 020758 100/200 gold**  
**cod. 024783 100/200 transparent**  
**cod. 020760 150/250 black**  
**cod. 020759 150/250 white**  
**cod. 023297 150/250 transparent**

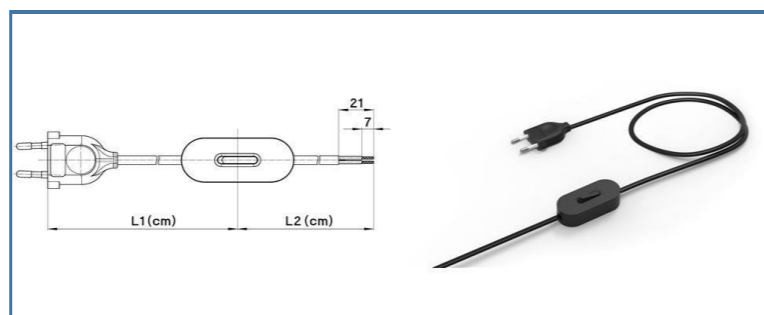
LQE/275/100/200/BL/STD/WIRING



## CORD-SET WITH DOUBLE-POLES CABLE

Cable : two poles flat cable H03VVH2-F 2x0,75 mm<sup>2</sup>  
 Switch : one-pole 2A, tungsten lamp load 1A, led lamp 75W, 250V, 1E4 (mod. 306)  
 Plug : european, 2.5A, 250V (mod. 2111)  
 Finishes: free end with brass ferrules  
 Pieces per unit : 200  
**cod. 040721 black**  
**cod. 040720 white**

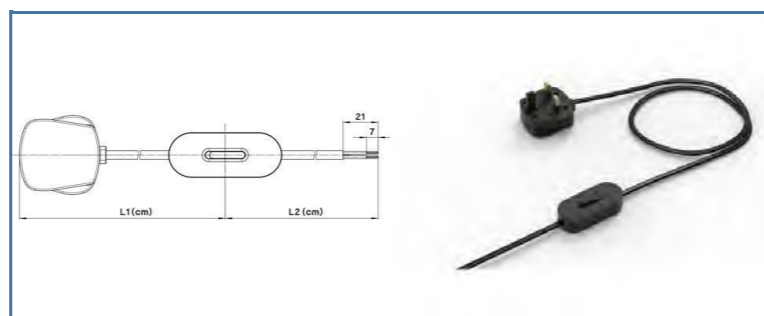
LUE/275/120/80/BL/STD/WIRING



## CORD-SET WITH DOUBLE-POLES CABLE

Cable : two poles flat cable H03VVH2-F 2x0,75 mm<sup>2</sup>  
 Switch : one-pole 2A, tungsten lamp load 1A, led lamp 75W, 250V, 1E4 (mod. 306)  
 Plug : british, Arditì 3A, 250V (mod. 2400)  
 Finishes: free end with brass ferrules  
 Pieces per unit : 150  
**cod. 040976 black**  
**cod. 040975 white**

LUGA/275/120/80/BL/STD/WIRING

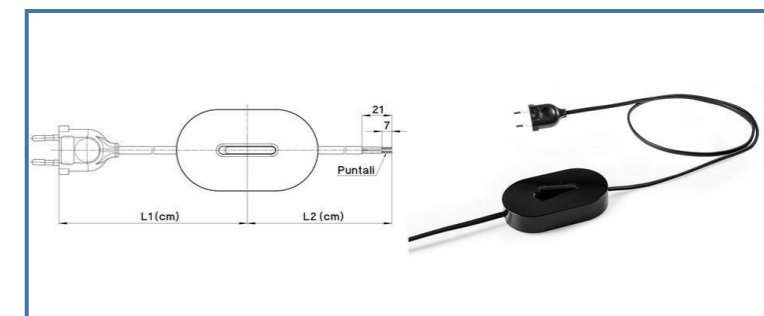


# CORD-SETS

## CORD-SET WITH DOUBLE-POLES CABLE

Cable : two poles flat cable H03VVH2-F 2x0,75 mm<sup>2</sup>  
 Switch : foot type one-pole, 2A, tungsten lamp load 1A, led lamp 75W, 250V, 1E4 (mod. 352)  
 Plug : european, 2.5A, 250V (mod. 2111)  
 Finishes: free end with brass ferrules  
 Pieces per unit : 150  
**cod. 041896 black**  
**cod. 041895 white**

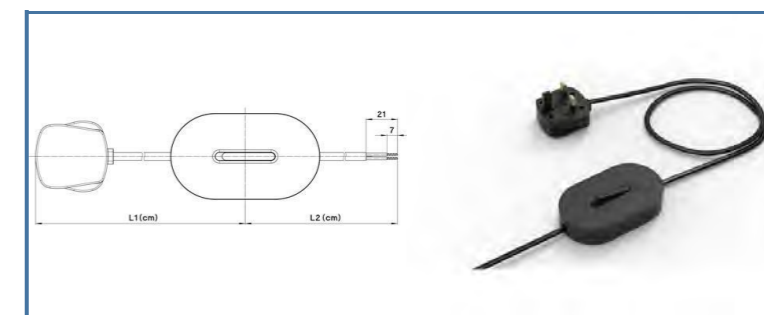
LQUE/275/100/200/BL/STD/WIRING



## CORD-SET WITH DOUBLE-POLES CABLE

Cable : two poles flat cable H03VVH2-F 2x0,75 mm<sup>2</sup>  
 Switch : foot type one-pole, 2A, tungsten lamp load 1A, led lamp 75W, 250V, 1E4 (mod. 352)  
 Plug : british, Arditì 3A, 250V (mod. 2400)  
 Finishes: free end with brass ferrules  
 Pieces per unit : 100  
**cod. 040978 black**  
**cod. 040977 white**

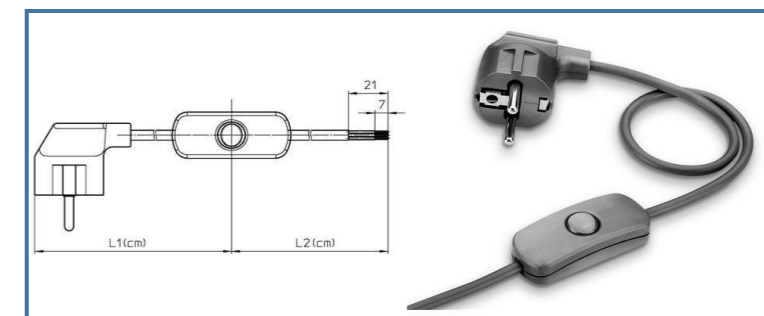
LQUGA/275/100/200/BL/STD/WIRING



## CORD-SET WITH THREE-POLES CABLE

Cable : three poles round cable H03VV-F 3G 0.75 mm<sup>2</sup>  
 (G=ground/earth conductor)  
 Switch : one-pole 2(1), tungsten lamp load 1A, 250V, 1E4 (mod. 305)  
 Plug : german with ground 2P+T (schuko) 16A, 250V (mod. 2200)  
 Finishes: free end with brass ferrules  
 Pieces per unit : 100  
**cod. 013906 120/80 black**  
**cod. 014383 120/80 white**  
**cod. 013994 120/80 gold**

RISA/375/120/80/BL/STD/WIRING

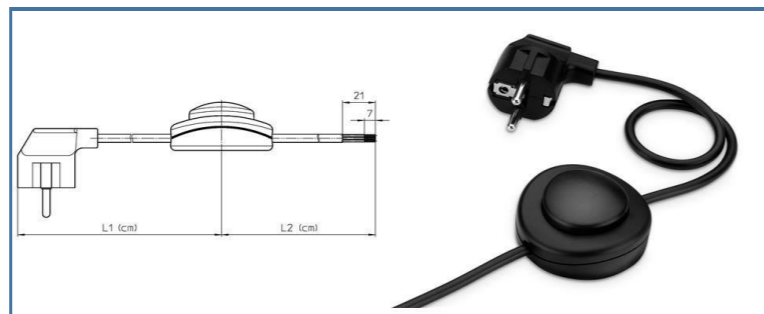


## CORD-SETS

### CORD-SET WITH THREE-POLES CABLE

Cable : three poles round cable H03VV-F 3G 0.75 mm<sup>2</sup>  
(G=ground/earth conductor)  
Switch : foot type one pole, 2A, tungsten lamp load 1A, 250V, 1E4 (mod. 350)  
Plug : german with ground 2P+T (schuko) 16A, 250V (mod. 2200)  
Finishes: free end with brass ferrules  
Pieces per unit : 50  
**cod. 020765 150/250 white**  
**cod. 020766 150/250 black**  
**cod. 020767 150/250 gold**

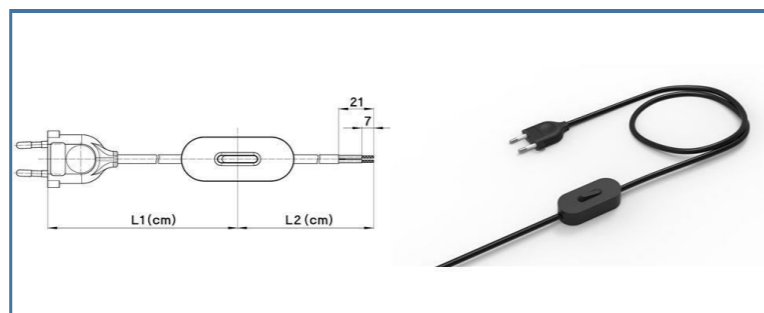
RQSA/375/150/250/WH/STD/WIRIN



### CORD-SET WITH DOUBLE-POLES CABLE

Cable : two poles round cable H03VV-F 2x0.75 mm<sup>2</sup>  
Switch : one-pole 2A, tungsten lamp load 1A, led lamp 75W, 250V, 1E4 (mod. 306)  
Plug : european, 2.5A, 250V (mod. 2111)  
Finishes: free end with brass ferrules  
Pieces per unit : 150  
**cod. 040723 black**  
**cod. 040722 white**

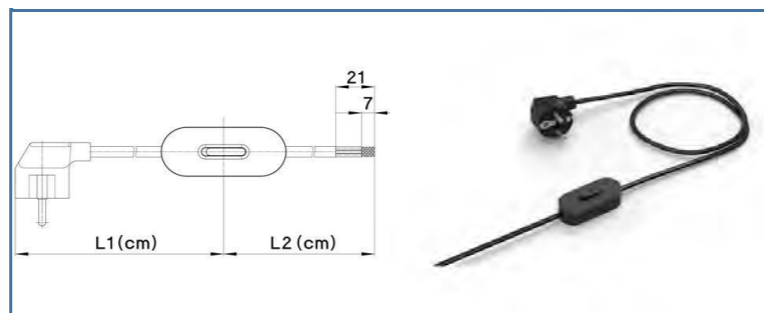
RUE/275/120/80/BL/STD/WIRING



### CORD-SET WITH THREE-POLES CABLE

Cable : three poles round cable H03VV-F 3G 0.75 mm<sup>2</sup>  
(G=ground/earth conductor)  
Switch : one-pole 2A, tungsten lamp load 1A, led lamp 75W, 250V, 1E4 (mod. 306)  
Plug : german with ground 2P+T (schuko) 16A, 250V (mod. 2200)  
Finishes: free end with brass ferrules  
Pieces per unit : 150  
**cod. 040727 black**  
**cod. 040726 white**

RUSA/375/120/80/BL/STD/WIRING

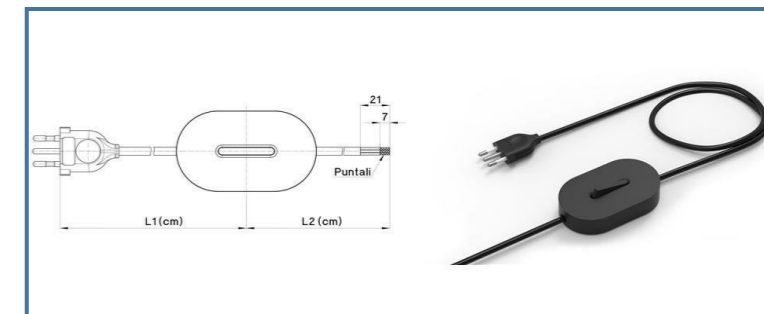


## CORD-SETS

### CORD-SET WITH THREE-POLES CABLE

Cable : three poles round cable H03VV-F 3G 0.75 mm<sup>2</sup>  
(G=ground/earth conductor)  
Switch : foot type one-pole, 2A, tungsten lamp load 1A, led lamp 75W, 250V, 1E4 (mod. 352)  
Plug : italian with ground 10A, 250V (mod. 2121T)  
Finishes: free end with brass ferrules  
Pieces per unit : 75  
**cod. 040730 black**  
**cod. 040729 white**

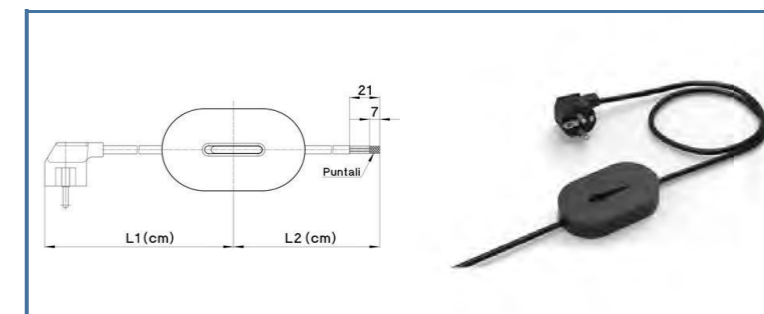
RQUT/375/100/200/BL/STD/WIRING



### CORD-SET WITH THREE-POLES CABLE

Cable : three poles round cable H03VV-F 3G 0.75 mm<sup>2</sup>  
(G=ground/earth conductor)  
Switch : foot type one-pole, 2A, tungsten lamp load 1A, led lamp 75W, 250V, 1E4 (mod. 352)  
Plug : german with ground 2P+T (schuko) 16A, 250V (mod. 2200)  
Finishes: free end with brass ferrules  
Pieces per unit : 75  
**cod. 040732 black**  
**cod. 040731 white**

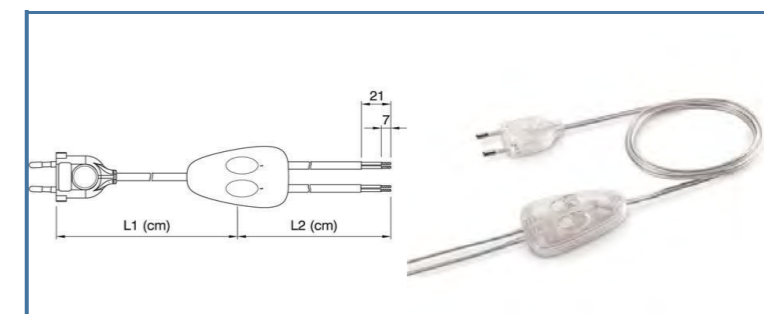
RQUSA/375/100/200/BL/STD/WIRING



### CORD-SET WITH DOUBLE-POLES CABLE AND DOUBLE EXIT

Cable : two poles flat cable FRDR 2x0,75 mm<sup>2</sup>  
Switch : one-pole with double exit cable 2(1)A, 250V, 1E4, (mod. 310D)  
Plug : european, 2.5A, 250V (mod. 2111)  
Finishes: free end with brass ferrules  
Pieces per unit : 100  
**cod. 031769 transparent**  
**cod. 032455 white**

LFDE/275/100/50/TR/STD/WIRING

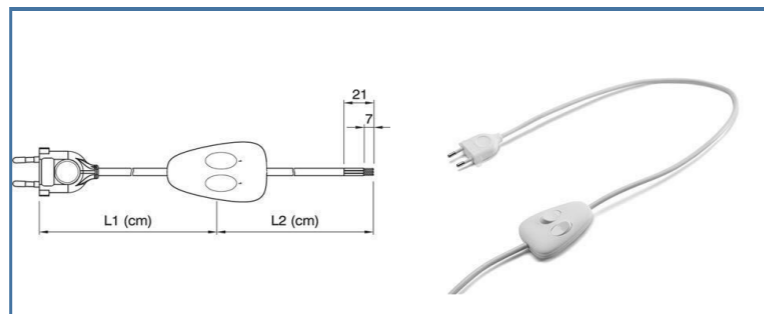




## CORD-SETS

### CORD-SET WITH THREE-POLES CABLE AND SINGLE EXIT

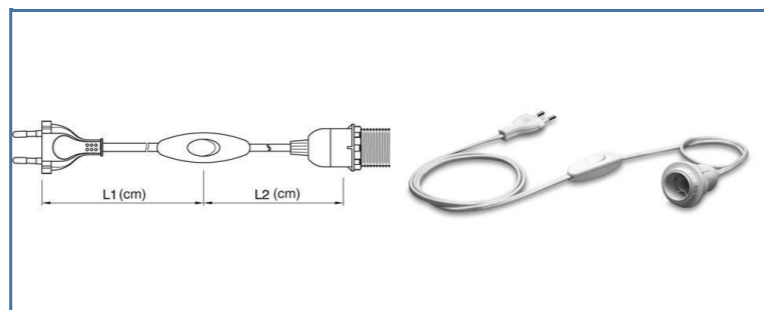
Cable : PLUG SIDE= 2-poles round cable H03VV-F 2x0.75 mm<sup>2</sup>  
 FREE END= 3-poles round cable H03VV-F 3x0.75 mm<sup>2</sup> without ground/earth conductor  
 Switch : one-pole with single exit cable 2(1)A, 250V, 1E4, (mod. 310S)  
 Plug : european, 2.5A, 250V (mod. 2111)  
 Finishes: free end with brass ferrules  
 Pieces per unit : 150  
**cod. 030600 white**



RFSE/375/100/50/WH/STD/WIRING

### CORD-SET WITH FLAT CABLE 2X0,75 MM<sup>2</sup>, E14 LAMPHOLDER AND RING

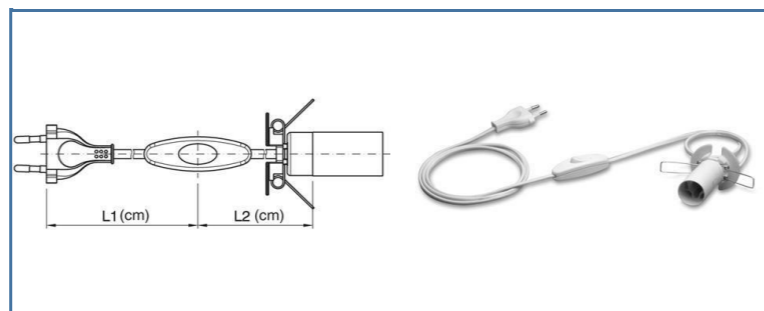
Cable : two poles flat cable H03VVH2-F 2x0,75 mm<sup>2</sup>  
 Switch : one-pole 2(1), tungsten lamp load 1A, 250V, 1E4 (mod.304)  
 Plug : european, 2.5A, 250V (mod. 2130)  
 Pieces per unit : 100  
**cod. 023551 white**



SL49 LFM/100/50/62SC/41/WH

### DOUBLE-POLE CORD-SET WITH FLAT CABLE 2X0,75 MM<sup>2</sup>, EQUIPPED WITH E14 LAMPHOLDER AND SPRING, DOME WITH INTERNAL CORDGRIP

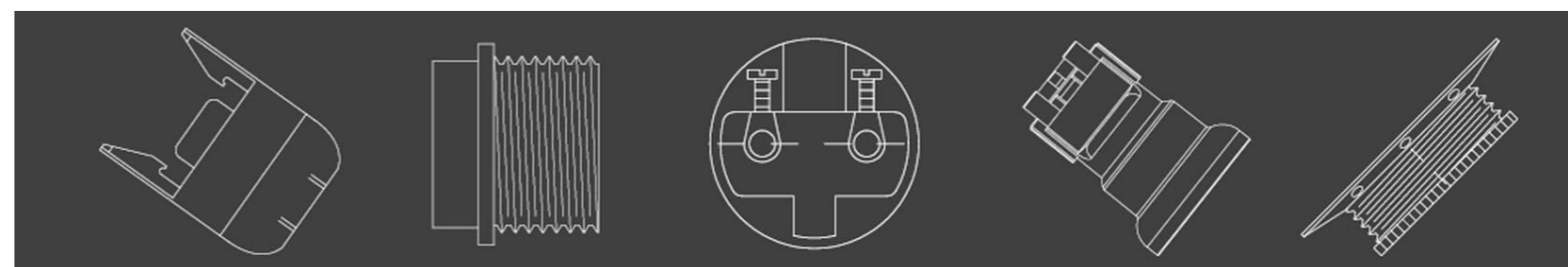
Cable : two poles flat cable H03VVH2-F 2x0,75 mm<sup>2</sup>  
 Switch : one-pole 2(1), tungsten lamp load 1A, 250V, 1E4 (mod.304)  
 Plug : european, 2.5A, 250V (mod. 2130)  
 Pieces per unit : 100  
**cod. 028605 white**



SL79 LFM/80/40/50SB/T210/BASE

## ACCESSORIES

### Accessories

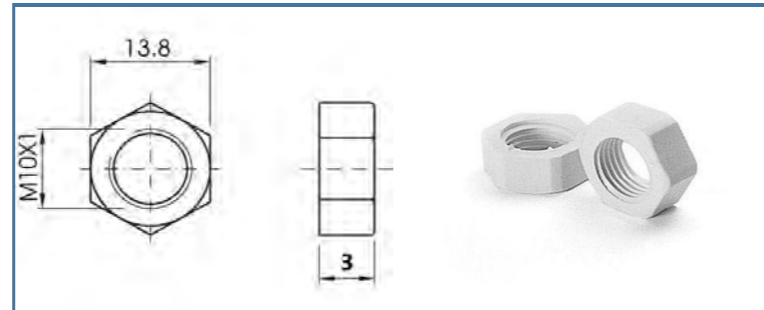


## ACCESSORIES

## HEX NUT WITH THREAD (M10X1) H 3MM

cod. 002194 h 3 mm black  
 cod. 032742 h 6 mm black  
 cod. 002193 h 3mm white  
 cod. 013341 h 6 mm white

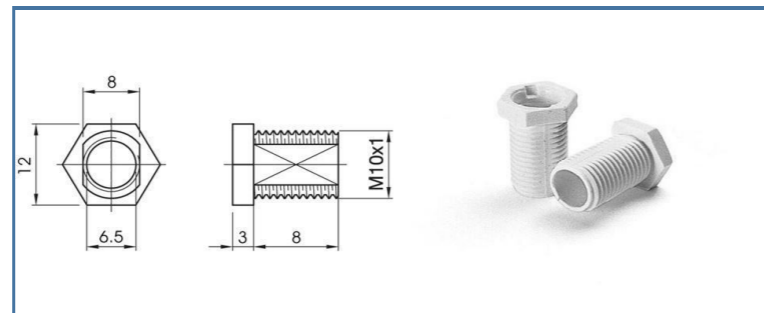
DI 30 BL HEX NUT THREADED M10X1 5339/26



## HEX-HEAD NIPPLE WITH 8MM LONG THREAD (M10X1) AND ANTI-ROTATION MILLING

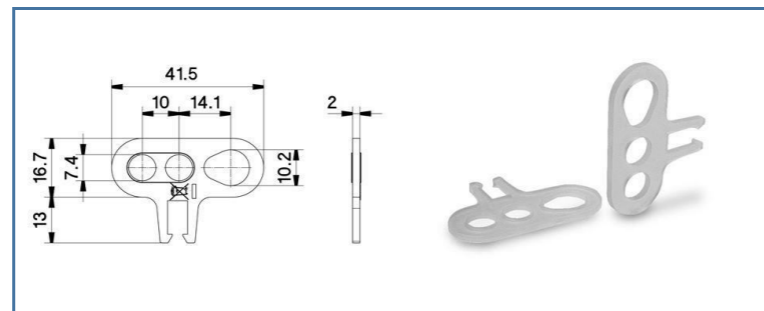
cod. 002207 8 mm black  
 cod. 002206 8 mm white  
 cod. 002209 12 mm black  
 cod. 002208 12 mm white  
 cod. 002146 15 mm black  
 cod. 002145 15 mm white  
 cod. 002148 20 mm black  
 cod. 022529 25 mm white

NIR 8 BLACK NIPLES

CORD STRAIN FOR ROUND CABLE H03VV-F 2X0.75 MM<sup>2</sup>; 3-POLE ROUND CABLE H03VV-F 3G 0.75 MM<sup>2</sup> (G=GROUND/EARTH CONDUCTOR)

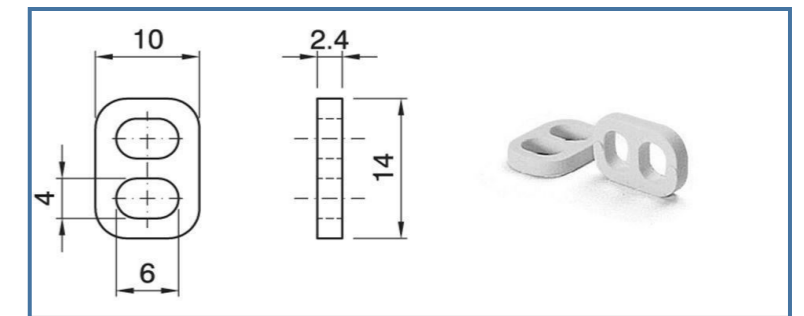
cod. 015040 natural

TCM 75 NEUTRAL

CORD STRAIN FOR FLAT CABLE H03VVH2-F 2X0,75 MM<sup>2</sup>

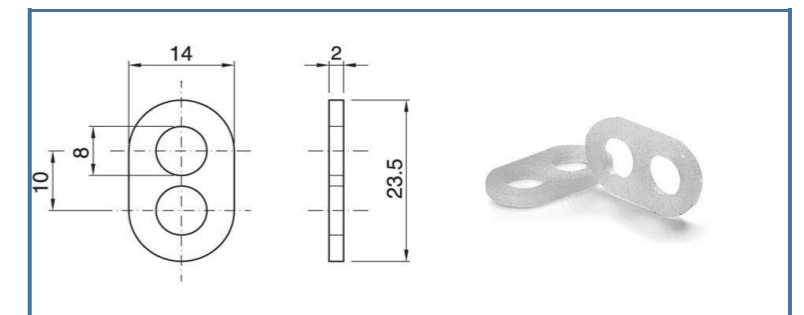
cod. 022000 black  
 cod. 022055 white

TC 30 CORD-STRAIN BLACK

CORD STRAIN 2-POLE ROUND CABLE H03VV-F 2X0.75 MM<sup>2</sup>

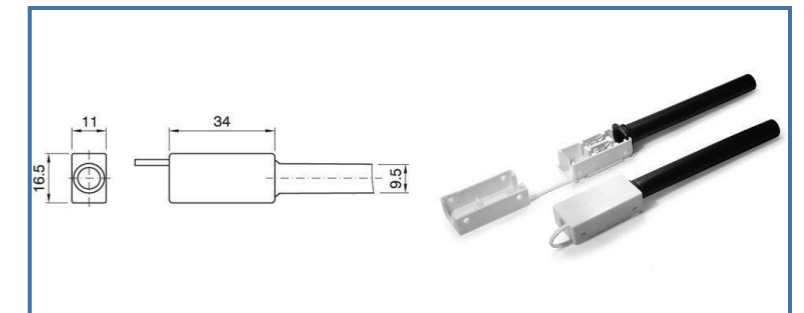
cod. 002211 black  
 cod. 002210 white  
 cod. 017241 natural

TC 31 BLACK

TWO POLES TERMINAL BLOCK WITH PLASTIC INSULATING BODY. CONNECTING CAPACITY: 2,5 MM<sup>2</sup>, RATED VOLTAGE 250V, T90°C, IP20

cod. 027535

TERM.BLOCK ART.145 ASSEMBLED

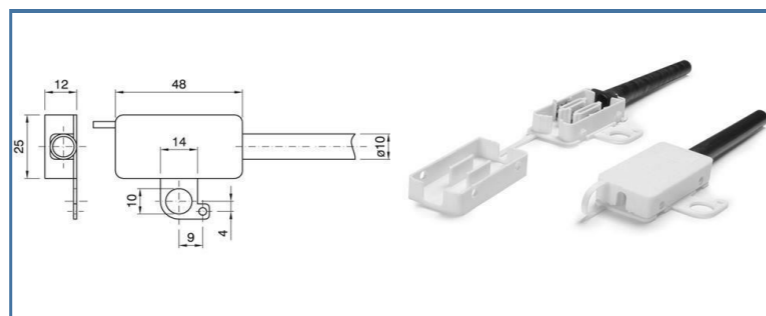


## ACCESSORIES

THREE POLES TERMINAL BLOCK, CONNECTING CAPACITY 1,5 MM<sup>2</sup>, RATED VOLTAGE 250V, T110°C

cod. 021108

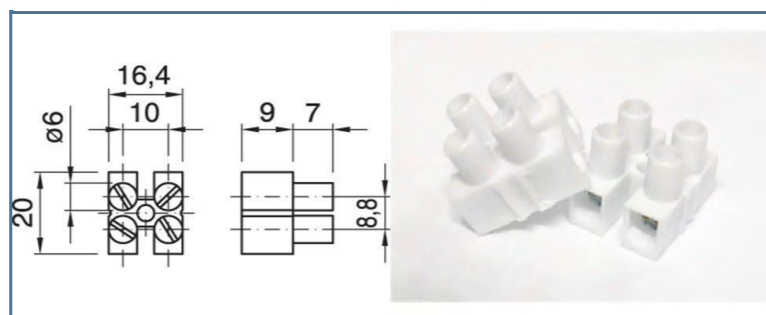
TERM.BLOCK.SDS/M 3X1,5 ASSEMBLED



TERMINAL BLOCK WITH PLASTIC INSULATING BODY, CONNECTING CAPACITY 6 MM<sup>2</sup>, RATED VOLTAGE 450V, IP20

cod. 034184

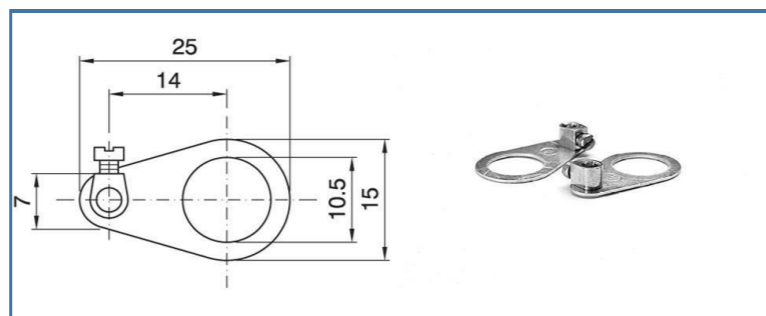
TERM.BLOCK 134/2 2P SEZ.6 PP WH



METAL RING WITH EARTH TERMINAL

cod. 002316

METAL RING AT/10



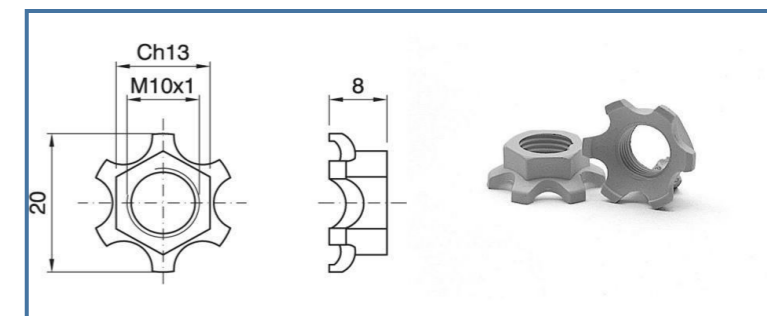
## ACCESSORIES

LOCKING NUT FOR SERIES BP AND BPS DOMES WITH THREADED M10X1

cod. 017002 black

cod. 017194 white

DAF-1 BOLT BL



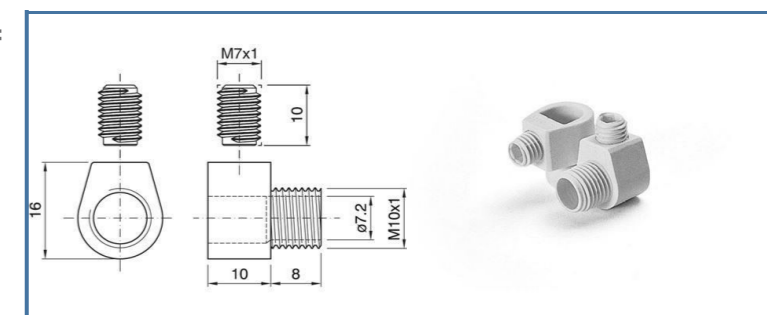
RING CORD GRIP FOR 2-POLES FLAT CABLE H03VVH2-F 2X0,75 MM<sup>2</sup>; 2-3 POLES ROUND CABLES H03VV-F 2X-3G 0.75 MM<sup>2</sup> (G=GROUND/EARTH CONDUCTOR). WITH MALE THREADED FIXING M10X1. (M7X1 SCREW HAS TO BE ORDERED SEPARATELY)

cod. 024277 black

cod. 024278 white

cod. 025450 gold

BC 10 M CORD GRIP BL



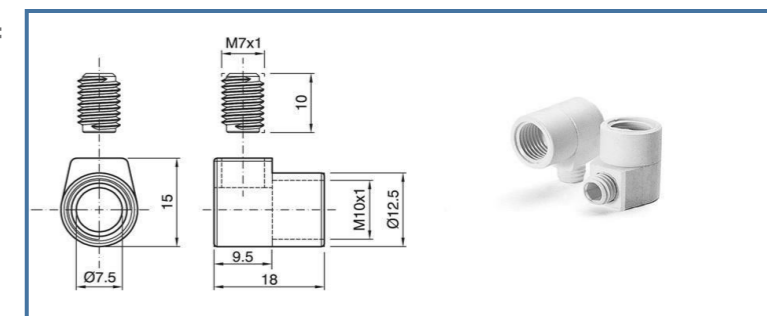
RING CORD GRIP FOR 2-POLES FLAT CABLE H03VVH2-F 2X0,75 MM<sup>2</sup>; 2-3 POLES ROUND CABLES H03VV-F 2X-3G 0.75 MM<sup>2</sup> (G=GROUND/EARTH CONDUCTOR). WITH FEMALE THREADED FIXING M10X1. (M7X1 SCREW HAS TO BE ORDERED SEPARATELY)

cod. 024279 black

cod. 024280 white

cod. 025451 gold

BC 10 F CORD GRIP BL

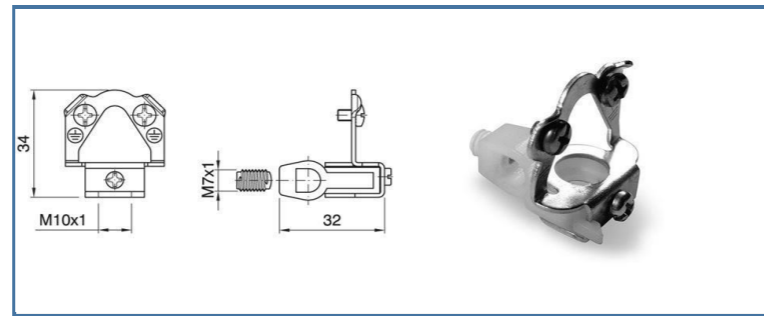


## ACCESSORIES

METAL HOOK OR SUSPENSIONS WITH EARTH CONNECTION AND THERMOPLASTIC CORD ANCHORAGE WITH SCREW. (THE M7X1 SCREW HAS TO BE ORDERED SEPARATELY)

cod. 027688 natural

BC10 G /HOOK/M

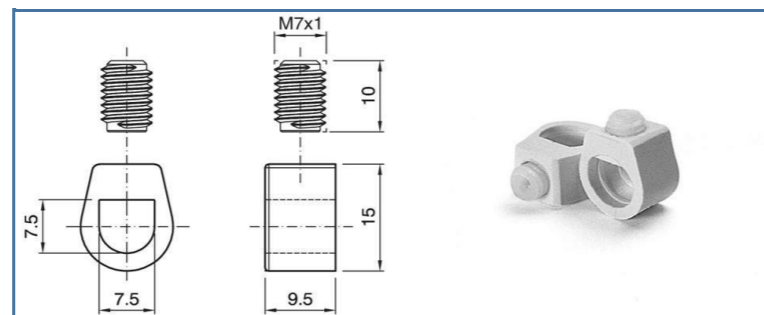


RING CORD GRIP 2-POLE FLAT CABLE H03VVH2-F 2X0,75 MM<sup>2</sup>; 2-POLE ROUND CABLE H03VV-F 2X0.75 MM<sup>2</sup>; 3-POLE ROUND CABLE H03VV-F 3G 0.75 MM<sup>2</sup> (G=GROUND/EARTH CONDUCTOR). (M7X1 SCREW HAS TO BE ORDERED SEPARATELY)

cod. 024281 black

cod. 024282 white

BCO 2 CORD GRIP BL



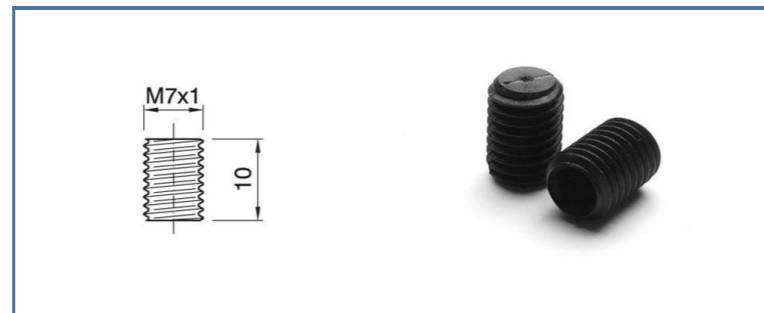
M7X1 GRUB SCREW FOR CORD GRIP ARTT. BC10F, BC10M, BCO2 AND CEILING-ROSES ARTT. RO21, 31, 41

cod. 024035 black

cod. 023107 white

cod. 024174 gold

DOWEL M7X1 BL



## ACCESSORIES

CORD GRIP FOR ROUND CABLES WITH MALE THREADED FIXING (M10X1). RING NUT IS SUPPLIED SEPARATELY ON DEMAND COD. 010053

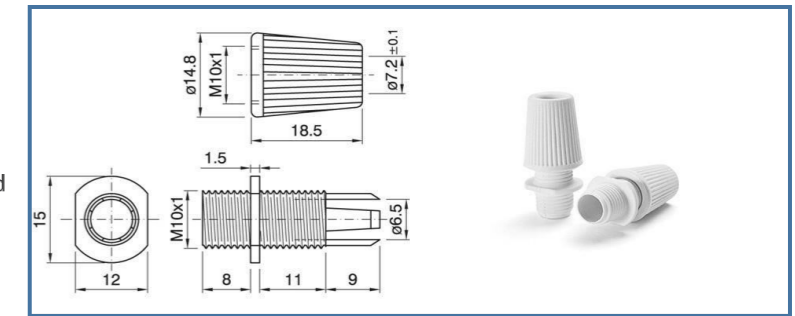
Use/Application : with round cables H03VV-F 2x0.75 mm<sup>2</sup> and H05VV-F 2x1 mm<sup>2</sup>

cod. 024563 black

cod. 024478 white

cod. 027240 gold

SC 15 M CORD GRIP 5915A/26 BL WITHOUT RING



CORD GRIP FOR ROUND CABLES, WITH FEMALE THREADED FIXING (M10X1). RING NUT IS SUPPLIED SEPARATELY ON DEMAND COD.010053

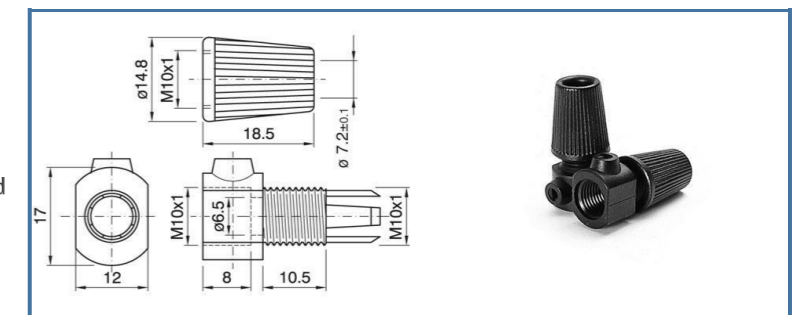
Use/Application : with round cables H03VV-F 2x0.75 mm<sup>2</sup> and H05VV-F 2x1 mm<sup>2</sup>

cod. 027237 black

cod. 027236 white

cod. 027239 gold

SC 15 F CORD GRIP 5917/26 BL WITHOUT RING



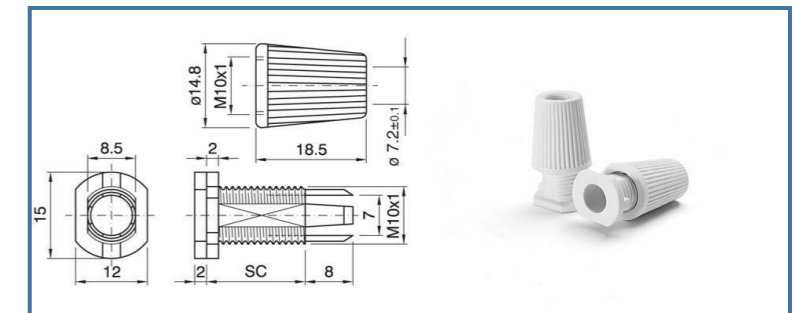
CORD GRIP FOR ROUND CABLES. RING NUT IS SUPPLIED SEPARATELY ON DEMAND COD. 010053

Use/Application : with round cable H03VV-F 2x0.75 mm<sup>2</sup> and H05VV-F 2x1 mm<sup>2</sup>

cod. 021581 black

cod. 027241 white

SC 15 CORD GRIP 5916/26 BL WITHOUT RING

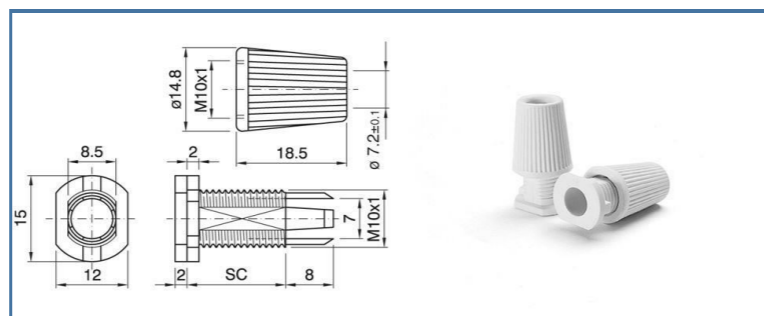


# ACCESSORIES

**CORD GRIP FOR ROUND CABLES. RING NUT IS SUPPLIED SEPARATELY ON DEMAND COD.010053**

Use/Application : with round cables H03VV-F 2x0.75 mm<sup>2</sup> and H05VV-F 2x1 mm<sup>2</sup>  
**cod. 027243 black**  
**cod. 027242 white**

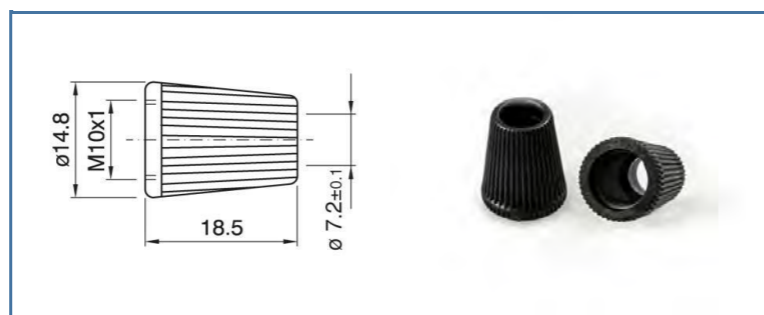
SC 20 CORD GRIP 5919/26 BL WITHOUT RING



**RING NUT FOR ARTT. SC15 AND SC20**

**cod. 010053 black**  
**cod. 009540 white**  
**cod. 018703 gold**

RING NUT X SC15/20 5905A/26 BL



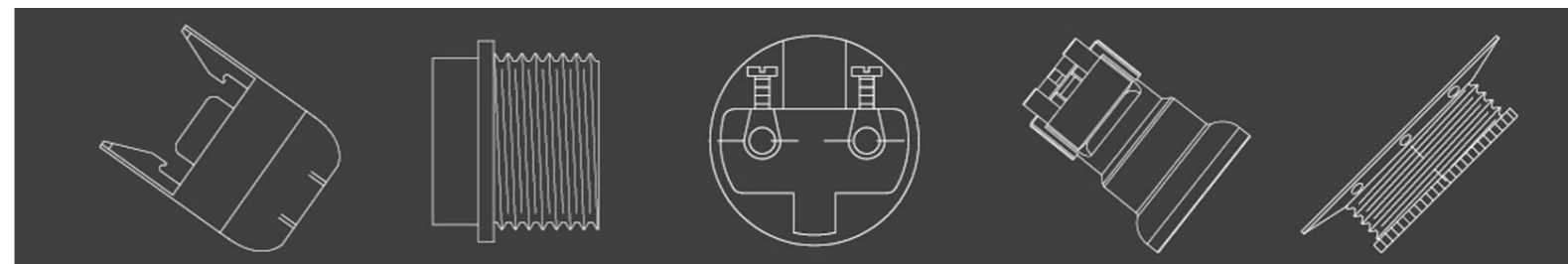
# DIMMERS

**Mains voltage dimmer**

**121**

**Low voltage dimmer**

**124**



# DIMMERS

## MAINS VOLTAGE DIMMER

### DIMMER FOR INCANDESCENT LAMPS WITH POWER SUPPLY SIGNAL LED

Rated input voltage : 230 Vac  
 Power range : 10-150 W  
 Type of load : Incandescent-halogen  
 Dimming : built-in push button  
 Pieces per unit : 50  
**cod. 027503 black**  
**cod. 027504 white**  
**cod. 027808 gold**  
**cod. 027505 transparent**

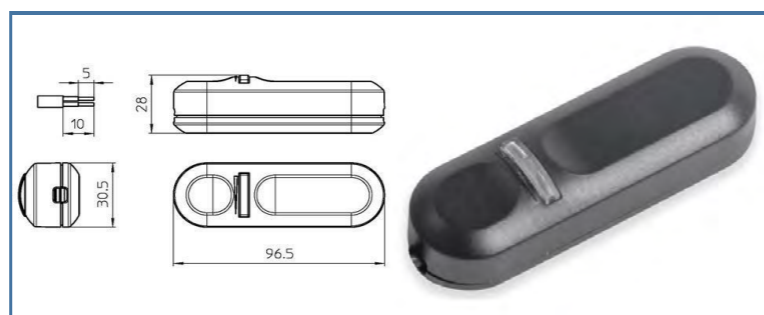
DIMMER ART.1002 BL



### UNIVERSAL ELECTRONIC PUSH BOTTON DIMMER WITH POWER SUPPLY SIGNAL LED, FOR INCANDESCENT, CFL AND LED DIMMABLE LAMPS. THIS MODEL HAS MINIMUM BRIGHTNESS ADJUSTABLE AND AN INTEGRATED PROTECTION FOR END OF LIFE LAMPS

Rated input voltage : 100-240 Vac  
 Power range : 4-25W LED Ret | 4-100W @120V INC | 4-150W @220-240V INC | 11-25 W CFL  
 Type of load : CFL | Incandescent-halogen | LED Retrofit  
 Dimming : built-in push button  
 Pieces per unit : 100  
**cod. 038305 black**  
**cod. 039133 white**  
**cod. 039134 transparent**

DIMMER ART.1004P LAMP LFP SW1 100-240V BL



# DIMMERS

### UNIVERSAL ELECTRONIC PUSH BOTTON DIMMER WITH POWER SUPPLY SIGNAL LED, FOR INCANDESCENT AND LED DIMMABLE LAMPS. THIS MODEL HAS MINIMUM BRIGHTNESS ADJUSTABLE AND HEART TERMINAL

Rated input voltage : 100-240 Vac  
 Power range : 4-25W LED Ret | 4-100W @120V INC | 4-150W @220-240V INC  
 Type of load : Incandescent-halogen | LED Retrofit  
 Dimming : built-in push button  
 Pieces per unit : 100  
**cod. 042143 black**  
**cod. 042142 white**  
**cod. 042144 transparent**

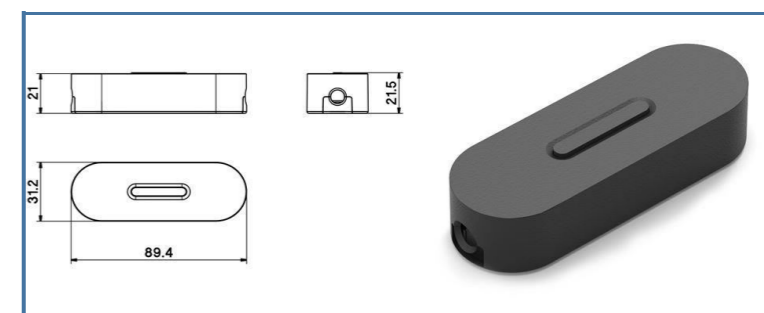
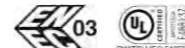
DIMMER 1004PT LAMP 100-240V BL



### UNIVERSAL ELECTRONIC PUSH BUTTON DIMMER FOR INCANDESCENT AND LED DIMMABLE LAMPS. THIS MODEL HAS MINIMUM BRIGHTNESS ADJUSTABLE AND PROTECTION FOR END OF LIFE LAMPS

Rated input voltage : 100-240 Vac  
 Power range : 2-25W LED Ret | 4-40W @120V INC | 4-60W @220-240V INC  
 Type of load : Incandescent-halogen | LED Retrofit  
 Dimming : built-in push button  
 Pieces per unit : 50  
**cod. 039125 black**  
**cod. 039126 white**

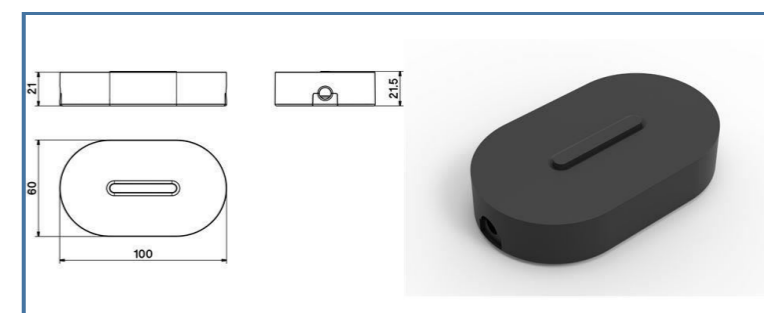
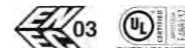
DIMMER ART.1005P LAMP LFP SW1 100-240V BL SM



### UNIVERSAL TABLE/FLOOR PUSH BUTTON DIMMER FOR INCANDESCENT AND LED DIMMABLE LAMPS. THIS MODEL HAS MINIMUM BRIGHTNESS ADJUSTABLE AND PROTECTION FOR END OF LIFE LAMPS

Rated input voltage : 100-240 Vac  
 Power range : 2-25W LED Ret | 4-100W @120V INC | 4-150W @220-240V INC  
 Type of load : Incandescent-halogen | LED Retrofit  
 Dimming : built-in push button  
 Pieces per unit : 24  
**cod. 039129 black**  
**cod. 039130 white**

DIMMER ART.1014P LAMP LFP SW1 100-240V BL SM

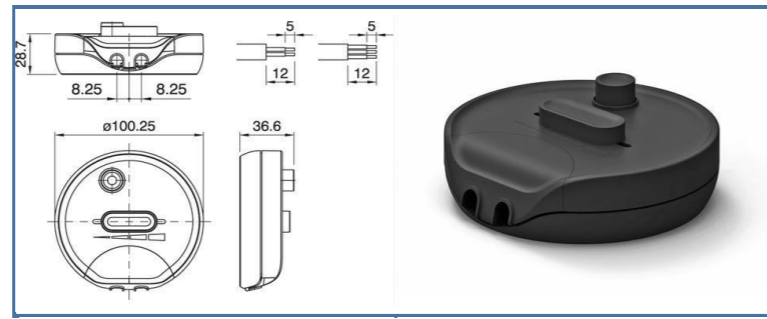


# DIMMERS

**UNIVERSAL TABLE/FLOOR DIMMER FOR INCANDESCENT, CFL AND LED RETROFIT LAMPS, WITH ADDITIONAL BUILT IN PUSH BUTTON SWITCH. THIS MODEL HAS MINIMUM BRIGHTNESS ADJUSTABLE AND PROTECTION FOR END OF LIFE LAMPS**

Rated input voltage : 100-240 Vac  
 Power range : 4-25W LED Ret | 4-200W @120V INC | 4-250W @220-240V INC | 11-25 W CFL  
 Type of load : CFL | Incandescent-halogen | LED Retrofit  
 Dimming : slider  
 Pieces per unit : 40  
**cod. 039982 black**  
**cod. 039983 white**  
**cod. 039981 transparent**

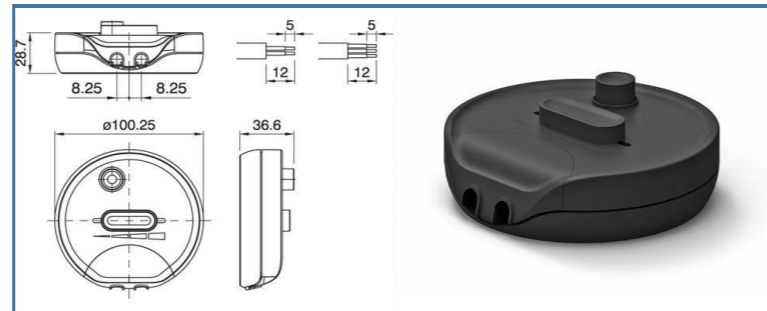
DIMMER 1012S LAMP LFP SW1A 100-240V BL M



**UNIVERSAL TABLE/FLOOR DIMMER FOR INCANDESCENT AND LED RETROFIT LAMPS. WITH ADDITIONAL BUILT IN PUSH BUTTON SWITCH FOR THE CONTROL OF A SUPPLEMENTARY LAMP. THIS MODEL HAS MINIMUM BRIGHTNESS ADJUSTABLE AND PROTECTION FOR END OF LIFE LAMPS**

Rated input voltage : 100-240 Vac  
 Power range : 2-25W LED Ret | 4-180W @120V INC | 4-250W @220-240V INC  
 Type of load : Incandescent-halogen | LED Retrofit  
 Dimming : slider  
 Pieces per unit : 40  
**cod. 040335 black**  
**cod. 040681 white**  
**cod. 040682 transparent**

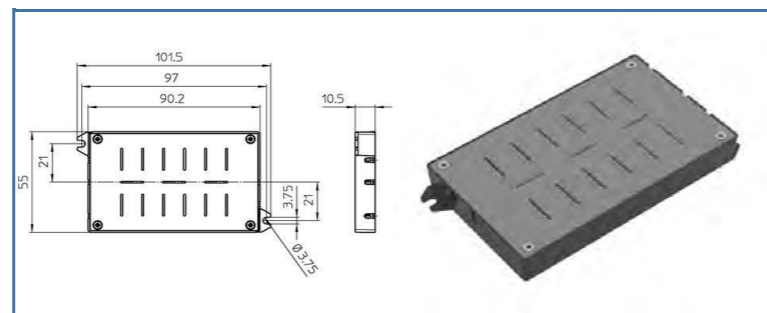
DIMMER 1012S-2L LAMP LFP SW1A 100-240V BL M



**RECESSED UNIVERSAL TOUCH DIMMER FOR INCANDESCENT, LED AND CFL LAMPS. THIS MODEL HAS AN INTEGRATED PROTECTION FOR END OF LIFE LAMPS**

Rated input voltage : 100-240 Vac  
 Power range : 4-25W LED Ret | 4-200W @120V INC | 4-250W @220-240V INC | 11-25 W CFL  
 Type of load : CFL | Incandescent-halogen | LED Retrofit  
 Dimming : touch regulation with cable  
 Pieces per unit : 50  
**cod. 038306 black - LFP**

DIMMER 1101 TOUCH LAMP LFP SW1 100-240V BL



# DIMMERS

## LOW VOLTAGE DIMMER

### HAND DIMMER FOR CONSTANT CURRENT LEDS

Rated input voltage : 12 Vdc | 24 Vdc  
 Power range : 4,2W @12V | 8,4W @24V  
 Type of load : LED 350 mA  
 Dimming : built-in push button  
 Pieces per unit : 200  
**cod. 032232 350 mA black**  
**cod. 030239 350 mA transparent**

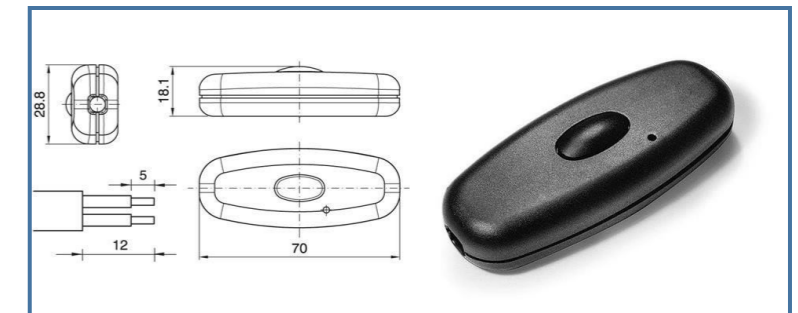
ALED-DIM 1002MONO-350I BL



### HAND DIMMER FOR CONSTANT VOLTAGE LEDS

Rated input voltage : 12 Vdc | 24 Vdc  
 Power range : 24W @12V | 48W @24V  
 Type of load : LED 12-24 V  
 Dimming : built-in push button  
 Pieces per unit : 100  
**cod. 033038 black**  
**cod. 029675 white**  
**cod. 030258 transparent**

ALED-DIM 1002MONO-24V BL



### FOOT DIMMER FOR CONSTANT CURRENT LEDS

Rated input voltage : 12 Vdc | 24 Vdc  
 Power range : 4,2W @12V | 8,4W @24V  
 Type of load : LED 350 mA  
 Dimming : built-in push button  
 Pieces per unit : 100  
**cod. 034683 350 mA black**  
**cod. 033318 350 mA transparent**

ALED-DIM FOOT MONO-350I-VP BLACK



# DIMMERS

## FOOT DIMMER FOR CONSTANT VOLTAGE LEDS

Rated input voltage : 12 Vdc | 24 Vdc  
 Power range : 24W @12V | 48W @24V  
 Type of load : LED 12-24 V  
 Dimming : built-in push button  
 Pieces per unit : 100  
**cod. 035550 black**



ALED-DIM FOOT MONO-V VP START-ON BLACK

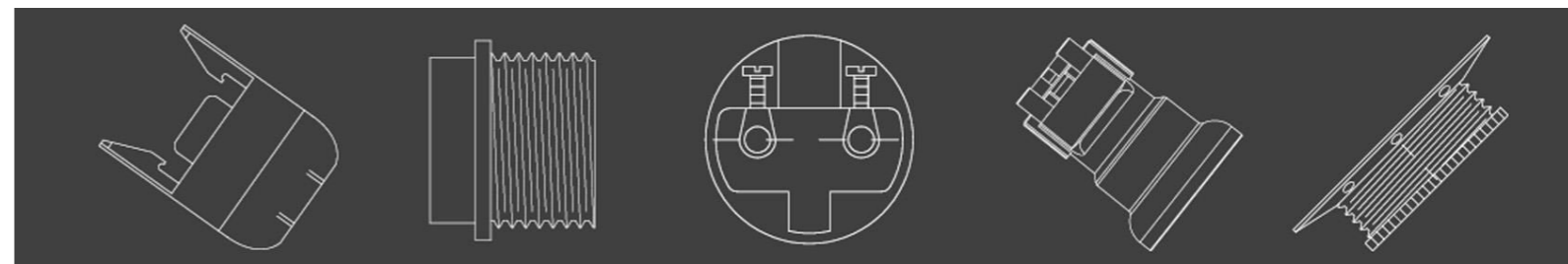
# DRIVERS / POWER SUPPLY

Power supply

127

Plug power supply

130



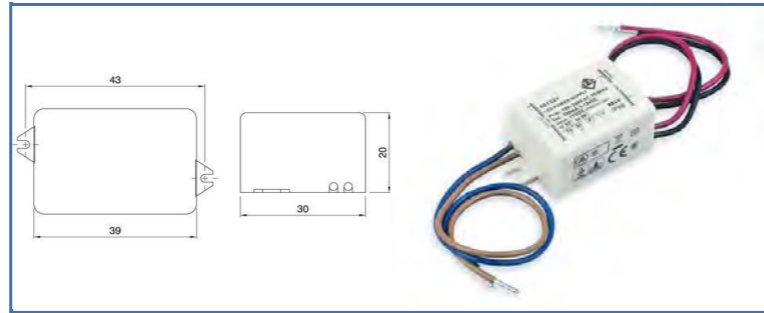


## DRIVERS / POWER SUPPLY

## POWER SUPPLY

## CONSTANT CURRENT LED DRIVER 3W

Rated input voltage ( $\pm 10\%$ ): 100-240 Vac  
 Protection index IP : 66  
 Switch on secondary side : Yes  
 Pieces per unit : 200  
**cod. 401327 350 mA**  
**cod. 401330 500 mA**  
**cod. 401331 700 mA**



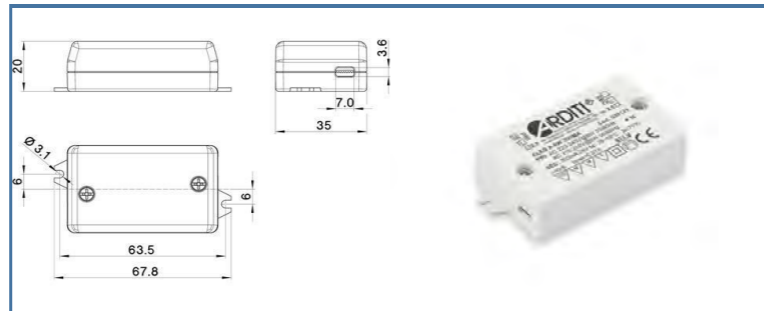
## ALED A 3W-DC-350MA IP66



	Cod. 401327	Cod. 401330	Cod. 401331
Max power	4,2 W	4,75 W	4,2 W
Output rated current ( $\pm 10\%$ )	350 mA	500 mA	700 mA
Output voltage	3 - 12 V	3 - 9,5 V	3 - 6 V
Number of LEDs	1 ÷ 3	1 ÷ 2	1

## CONSTANT CURRENT/VOLTAGE LED DRIVER 8W

Rated input voltage ( $\pm 10\%$ ): 110-240 Vac  
 Protection index IP : 20  
 Switch on secondary side : Yes  
 Pieces per unit : 100  
**cod. 039121 350 mA - 24 V**  
**cod. 039122 700 mA - 12 V**



## ALED A 8W 350MA



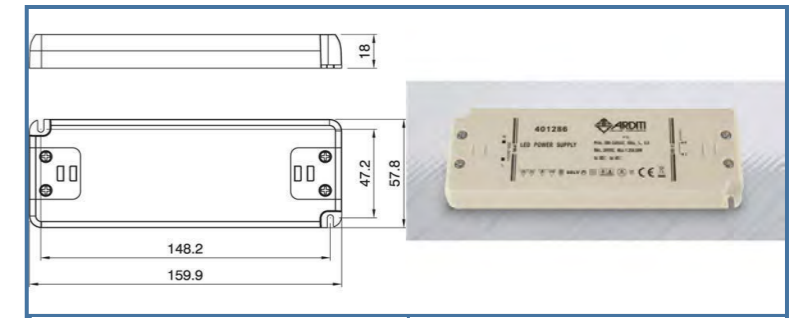
	Cod. 039121	Cod. 039122
Max power	8,4 W	8,75 W
Output rated current ( $\pm 10\%$ )	350 mA	700 mA
Output voltage	3 - 24 V	3 - 12,5 V
Number of LEDs	1 ÷ 7	1 ÷ 3

## DRIVERS / POWER SUPPLY

## CONSTANT VOLTAGE LED DRIVER 30W

Rated input voltage ( $\pm 10\%$ ): 220-240 Vac  
 Protection index IP : 20  
 Switch on secondary side : Yes  
 Pieces per unit : 50  
**cod. 401286 24 V**  
**cod. 401292 12 V**

## ALED V 30W-DC-24V FLAT

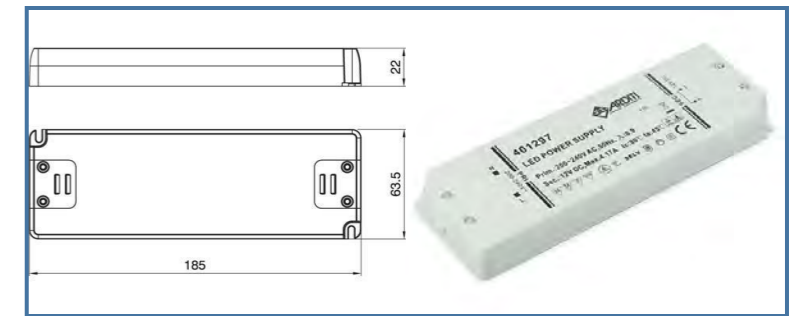


	Cod. 401286	Cod. 401292
Max power	30 W	30 W
Output rated current ( $\pm 10\%$ )	1,25 A	2,5 A
Output voltage	24 V	12 V

## CONSTANT CURRENT LED DRIVER 50W

Rated input voltage ( $\pm 10\%$ ): 220-240 Vac  
 Protection index IP : 20  
 Switch on secondary side : Yes  
 Pieces per unit : 50  
**cod. 401298 24 V**  
**cod. 401297 12 V**

## ALED V 50W-DC-24V FLAT

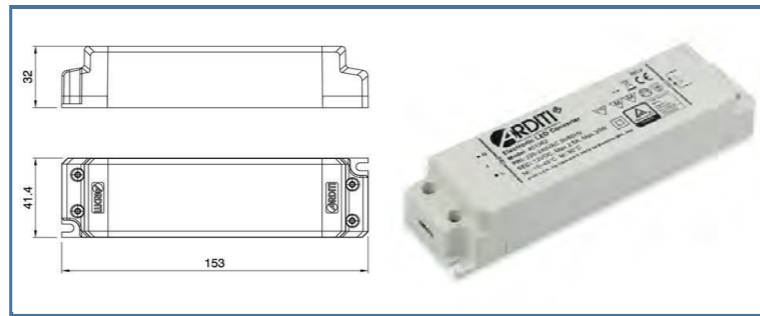


	Cod. 401298	Cod. 401297
Max power	50 W	50 W
Output rated current ( $\pm 10\%$ )	2,08 A	4,17 A
Output voltage	24 V	12 V

## DRIVERS / POWER SUPPLY

## CONSTANT VOLTAGE LED DRIVER 30W

Rated input voltage ( $\pm 10\%$ ): 220-240 Vac  
 Protection index IP : 20  
 Switch on secondary side : Yes  
 Pieces per unit : 100  
**cod. 401363 24 V**  
**cod. 401362 12 V**



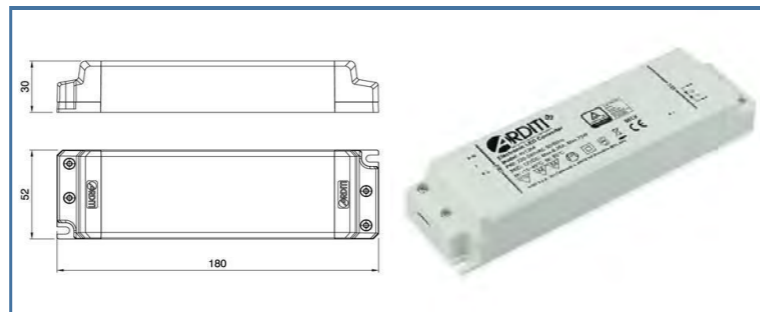
ALED V 30W-DC-24V EU



	Cod. 401363	Cod. 401362
Max power	30 W	30 W
Output rated current ( $\pm 10\%$ )	1,25 A	2,5 A
Output voltage	24 V	12 V

## CONSTANT VOLTAGE LED DRIVER 75W

Rated input voltage ( $\pm 10\%$ ): 220-240 Vac  
 Protection index IP : 20  
 Switch on secondary side : Yes  
 Pieces per unit : 50  
**cod. 401365 24 V**  
**cod. 401364 12 V**



ALED V 75W-DC-24V EU



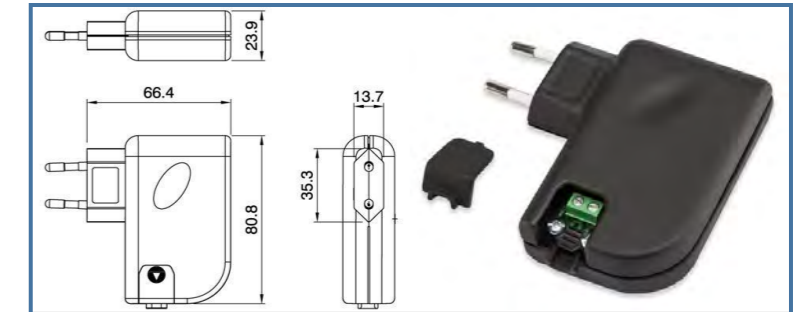
	Cod. 401365	Cod. 401364
Max power	75 W	75 W
Output rated current ( $\pm 10\%$ )	3,12 A	6,25 A
Output voltage	24 V	12 V

## DRIVERS / POWER SUPPLY

## PLUG POWER SUPPLY

## CONSTANT CURRENT PLUG-IN LED DRIVER 17W

Rated input voltage ( $\pm 10\%$ ): 220-240 Vac  
 Protection index IP : 20  
 Switch on secondary side : Yes  
 Pieces per unit : 50  
**cod. 035777 350 mA**  
**cod. 035778 500 mA**  
**cod. 035779 700 mA**



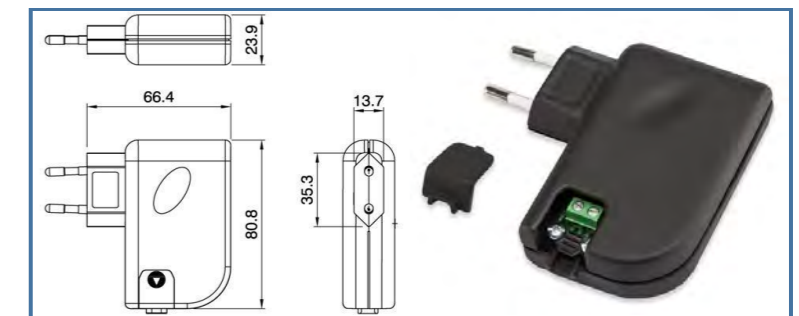
ALED A 17W350MASP/BL



	Cod. 035777	Cod. 035778	Cod. 035779
Max power	17 W	17 W	17 W
Output rated current ( $\pm 10\%$ )	350 mA	500 mA	700 mA
Output voltage	12 ÷ 46 V	9 - 34 V	6 - 24 V
Number of LEDs	4 ÷ 14	3 ÷ 10	2 ÷ 7

## CONSTANT VOLTAGE PLUG-IN LED DRIVER 17W

Rated input voltage ( $\pm 10\%$ ): 220-240 Vac  
 Protection index IP : 20  
 Switch on secondary side : Yes  
 Pieces per unit : 50  
**cod. 035781 24 V black**  
**cod. 035780 12 V black**  
**cod. 038424 12 V white**  
**cod. 036387 12 V transparent**



ALED V 17W24VSP/BL

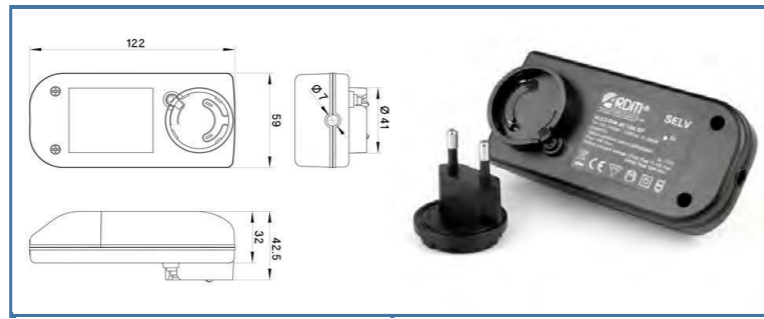


	Cod. 035781	Cod. 035780
Max power	17 W	17 W
Output rated current ( $\pm 10\%$ )	700 mA	1400 mA
Output voltage	24 V	12 V

# DRIVERS / POWER SUPPLY

## CONSTANT CURRENT AND CONSTANT VOLTAGE DIMMABLE MULTIPLUG LED DRIVER, 50MA STEPS AND 12-24V DIP-SWITCH PROGRAMMABLE 18W

Rated input voltage ( $\pm 10\%$ ) : 100-240 Vac  
 Dimming : Push button  
 Protection index IP : 20  
 Switch on secondary side : Yes  
 Pieces per unit : 50  
**cod. 040477 push button**  
**cod. 040645 Casambi**  
**cod. 041155 touch**  
**cod. 041371 touch dtw**



ALED-DIM AV 18W SP BL

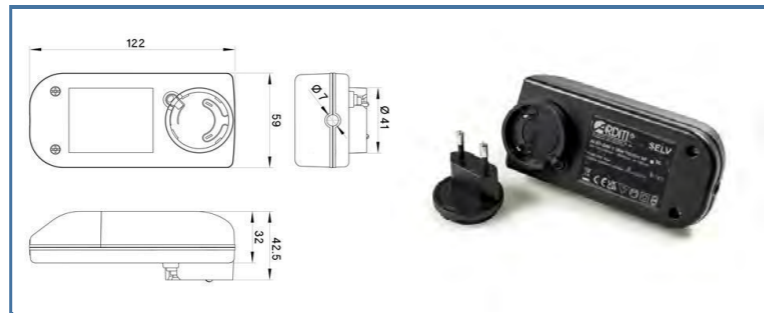


Cod. ALED-DIM AV 18W SP BL

Max power	18W
Output rated current ( $\pm 10\%$ )	200mA-950mA
Output voltage	12V-24V

## CONSTANT VOLTAGE DIMMABLE MULTIPLUG LED DRIVER, 12 OR 24V DIP-SWITCH PROGRAMMABLE 36W

Rated input voltage ( $\pm 10\%$ ) : 100-240 Vac  
 Max power : 36 W  
 Output rated current ( $\pm 10\%$ ) : 3A@12V - 1,5A@24V  
 Output voltage : 12V-24V  
 Dimming : Push button and touch  
 Protection index IP : 20  
 Switch on secondary side : Yes  
 Pieces per unit : 50  
**cod. 041156 touch**



ALED-DIM V 36W TOUCH SP BL

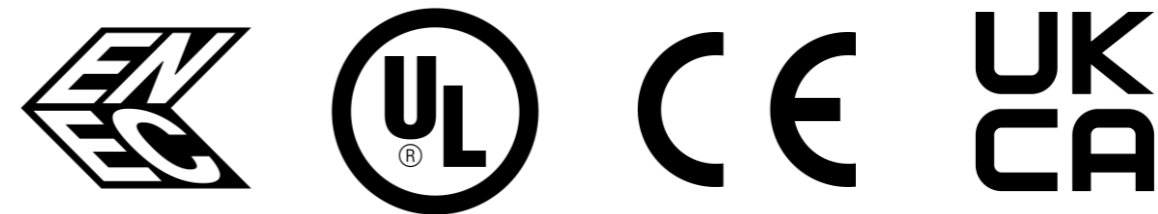


# CERTIFICATIONS E APPROVALS

## BUSINESS CERTIFICATIONS:



## PRODUCT APPROVALS:



# ARDITI IN THE WORLD



As result of **sophisticated and careful design studies**, Arditi products are made within **innovative and cutting-edge spaces** dedicated to production, design, testing and controls, through **specialised and constantly updated employees**. All production stages are carried out **within the Italian headquarters**, in accordance with the "**total quality**" philosophy. Latest generation machinery and advanced automation processes give **reliability and safety** to the technical solutions.

The high-quality standard of Arditi products is combined with **the extreme efficiency and performance** typical of a company that makes the care for details its flagship.

## ITALY

### Headquarter

**ARDITI SPA** Via Caberardi, 3 24012, Val Brembilla (BG), Italia  
Tel: +39 0345 52111  
Email: [arditi@arditi.com](mailto:arditi@arditi.com)  
Website: [www.arditi.com](http://www.arditi.com)

## GERMANY

### Distributor

**ARDITI GMBH** Leischstraße 17 27432 Ebersdorf  
Tel: +49-4765-831138-0  
Email: [info@arditi.de](mailto:info@arditi.de)  
Website: [www.arditi-gmbh.de](http://www.arditi-gmbh.de)

## UNITED KINGDOM

### Distributor

**ARDITI UK LIMITED** 6 Hawthorn Close Hartwell Northants NN7 2FA  
Tel: +44 1604 864615  
Email: [sales@arditiuk.co.uk](mailto:sales@arditiuk.co.uk)  
Website: [www.arditiuk.co.uk](http://www.arditiuk.co.uk)

## CHINA

### Distributor

**ARDITI-CN ELECTRIC (HUI ZHOU) CO. LTD.**  
Pan Li Village, Li-Ling Town, Hui Cheng District, Hui Zhou City, Guangdong Province, 516035  
Tel: +86-752-386.5656  
Email: [info@arditi-cn.com](mailto:info@arditi-cn.com)  
Website: [www.arditi.com](http://www.arditi.com)

## INDIA

### Distributor

**ARDITI INDIA PRIVATE LIMITED** F-73, First floor, Okhla Industrial Estate, Phase-3, New Delhi – 110020, India  
Tel: +91 1141659860/41659861 Cell: +91 9711498916  
Email: [info@arditi.in](mailto:info@arditi.in)  
Website: [www.arditi.in](http://www.arditi.in)

## SPAIN

### Distributor

**KOALA COMPONENTS, S.A.** Ctra, Masia del Juez, Km 1, nº27 46909 Torrent (Valencia), Spain  
Tel: +34 963 974 039  
Email: [info@koalacomponents.com](mailto:info@koalacomponents.com)  
Website: [www.koalacomponents.com](http://www.koalacomponents.com)

## BELGIUM

### Distributor

**COLASSE SA** Rue Puits-Marie 79 4100 Seraing  
Tel: +32 4 2252589  
Email: [info@arditi.be](mailto:info@arditi.be)  
Website: [www.arditi.be](http://www.arditi.be)

arditi  
L I G H T I N G I N N O V A T I O N

*Via Caberardi 3, 24012 – Val Brembilla (BG) Italia*  
*Tel. +39 0345 52111 - e-mail: [arditi@arditi.com](mailto:arditi@arditi.com)*  
*[www.arditi.com](http://www.arditi.com)*

